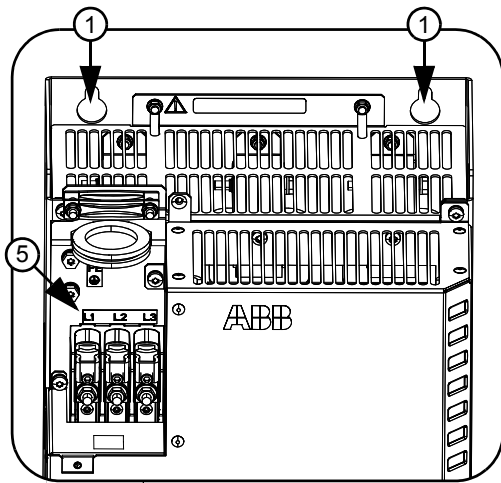


# ABB Drives

## Quick installation guide WFU-xx regen filter module

### Installation steps

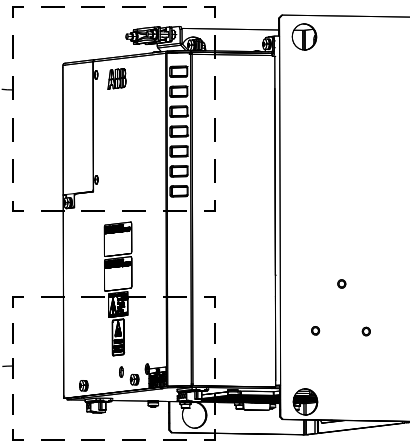
|   |  |
|---|--|
| 1 | Mount the WFU filter on the wall (4 screws).   |
| 2 | Connect the cooling fan supply. See <i>Cooling fan power supply connection</i> .           |
| 3 | Connect the signal cable to the supply module. See <i>Signal cable connections</i> .       |
| 4 | Connect to the power input terminal (U2/V2/W2/PE) in the regen supply module. Length: 2 m. |
| 5 | Connect the mains input to the L1/L2/L3/PE of the WFU filter.                              |



### Cooling fan power supply connection

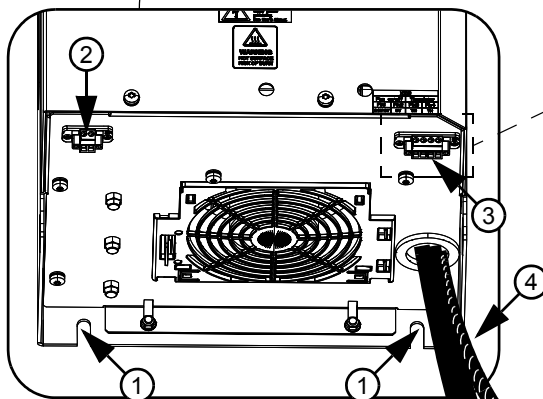
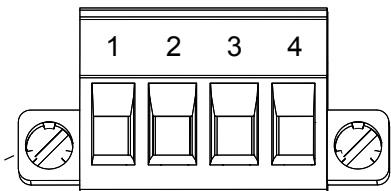
No fan supply is included the delivery. Use a supply that meets the following requirements.

| Filter | Supply voltage | Current demand, nominal |
|--------|----------------|-------------------------|
| WFU-01 | 24V ± 5%       | 0.32 A                  |
| WFU-02 |                |                         |
| WFU-11 | 24V ± 5%       | 1.67 A                  |
| WFU-21 |                |                         |
| WFU-22 |                |                         |



### Connector X103

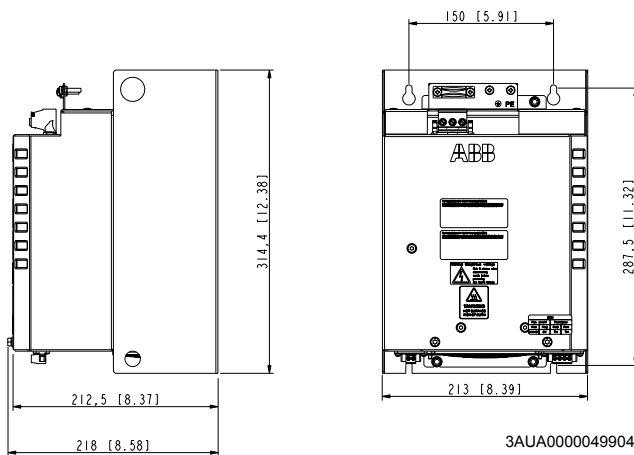
| Fan on/off |       | Thermistor |       |
|------------|-------|------------|-------|
| Pin 1      | Pin 2 | Pin 3      | Pin 4 |
| 24 V / 0 V | 0 V   | TH         | TH    |



### Signal cable connections

| WFU-xx | ACSM1-204     | ACS800-204*       |
|--------|---------------|-------------------|
| Pin 1  | DIO1 (X3: 15) | X27: 3 (+24 V DC) |
| Pin 2  | DIO1 (X3: 14) | 0 V DC            |
| Pin 3  | TH (X4: 8)    | X22: 7            |
| Pin 4  | TH (X4: 9)    | X22: 1            |

\* Relay output RO3 controls both the filter cooling fan and main contactor. Connect an external +24 V DC supply to R03 (X27:2) for cooling fan and main contactor control.



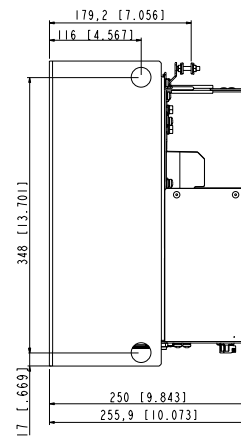
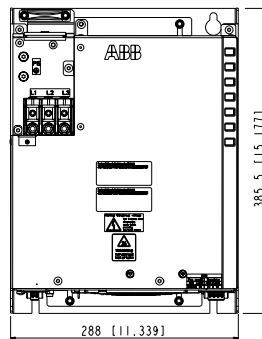
3AUA0000049904

**WFU-01 and WFU-02**

| Filter | Weight           |
|--------|------------------|
| WFU-01 | 11 kg / 24.5 lbs |
| WFU-02 | 14 kg / 30.5 lbs |

**WFU-11**

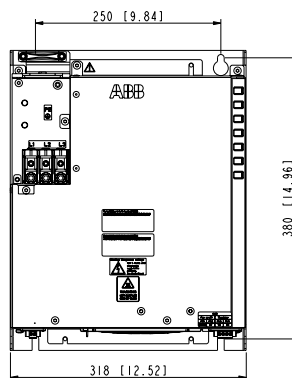
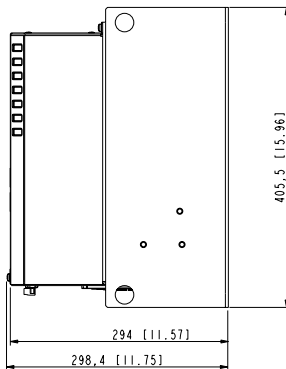
| Filter | Weight         |
|--------|----------------|
| WFU-11 | 34 kg / 75 lbs |



3AUA0000045531

**WFU-21 and WFU-22**

| Filter | Weight              |
|--------|---------------------|
| WFU-21 | 45 kg / 99 lbs      |
| WFU-22 | 51.5 kg / 113.5 lbs |



3AUA000005334 Rev C EN 2010-02-10

**ABB Oy**  
 Drives  
 P.O. Box 184  
 FI-00381 HELSINKI  
 FINLAND  
 Telephone +358 10 22 11  
 Fax +358 10 22 22681  
[www.abb.com/drives](http://www.abb.com/drives)

**ABB Inc.**  
 Automation Technologies  
 Drives & Motors  
 16250 West Glendale Drive  
 New Berlin, WI 53151  
 USA  
 Telephone 262 785-3200  
 1-800-HELP-365  
 Fax 262 780-5135  
[www.abb.com/drives](http://www.abb.com/drives)

**ABB Beijing Drive Systems Co. Ltd.**  
 No. 1, Block D, A-10 Jiuxianqiao Beilu  
 Chaoyang District  
 Beijing, P.R. China, 100015  
 Telephone +86 10 5821 7788  
 Fax +86 10 5821 7618  
[www.abb.com/drives](http://www.abb.com/drives)