

---

## Why use a Batch Control System ?

- ▶ Batch control systems are used as an economical and safe way of controlling the amount of product that flows through a system
- ▶ Quality control is of paramount importance in the food processing industry

---

## Why use ABB Instrumentation ?

- ▶ The C150 can be configured as a simple, accurate and reliable batching unit
- ▶ A fully automatic batching system can be assembled with the minimum of additional equipment
- ▶ Proven reliability – over 100 years of process instrumentation experience.
- ▶ Comprehensive range of products suitable for all monitoring and control requirements
- ▶ Minimal system maintenance requirements

---

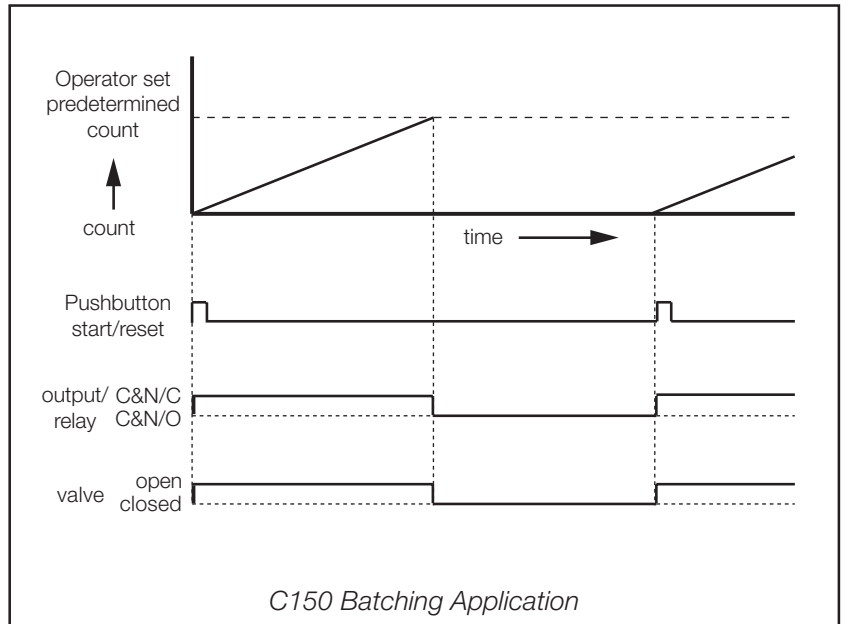
## What ABB Products are Suitable ?

- ▶ C150 Controller.
- ▶ MagMaster and AquaMaster flowmeters
  - Suitable for a wide range of flows
  - Extremely accurate measurement
  - High turndown ratio

## Batch Control System Process Description

C150 indicators can be used with a predetermined count, the value being set via the front panel scroll keys.

- ▶ An operator can start the process via a remote start/reset pushbutton or via a digital signal from a PC
- ▶ The signal resets the totalizer and opens the solenoid valve thus starting flow
- ▶ The indicator starts counting, when the predetermined count is reached, the output relay changes state and stops the flow via the solenoid valve. If required, when ready, the operator can then start the same process again
- ▶ If the recipe changes, the operator can enter a new predetermined total
- ▶ The C150 features a multi-digit LED display and decimal point facility which can be used for improved readability



---

**ABB** has Sales & Customer Support  
expertise in over 100 countries worldwide

[www.abb.com](http://www.abb.com)

The Company's policy is one of continuous product  
improvement and the right is reserved to modify the  
information contained herein without notice.

Printed in UK (01.06)

© ABB 2006



**ABB Limited**  
Howard Road, St. Neots  
Cambridgeshire  
PE19 8EU  
UK  
Tel: +44 (0)1480 475 321  
Fax: +44 (0)1480 217 948

**ABB Inc.**  
125 E. County Line Road  
Warminster  
PA 18974  
USA  
Tel: +1 215 674 6000  
Fax: +1 215 674 7183