

266GRH Gauge 266ARH Absolute

2600T Series Pressure Transmitters Engineered solutions for all applications



Base accuracy

- from 0.06 % of calibrated span

Reliable sensing system coupled with very latest digital technologies

- provides large turn down ratio up to 60:1

Comprehensive sensor choice

- optimize in-use total performance and stability

Flexible configuration facilities

- provided locally via local LCD keypad

New TTG (Through-The-Glass) keypad technology

- allows quick and easy local configuration without opening the cover, even in explosion proof environments

IEC 61508 certification

- for SIL2 (1oo1) and SIL3 (1oo2) applications

PED compliance to sound engineering practice (SEP)

266GRH Gauge

266ARH Absolute

General description

Models detailed in this data sheet apply for those transmitters which include one remote seal connected via a capillary to the transmitter sensor. Depending on the selected ordering code the models 266GRH and 266ARH are available; the remote seal on the positive side and the user can select the suitable code for having the reference at atmospheric or vacuum pressure respectively for gauge or absolute measure. The following table list the types of standard seal which can be combined with 266xR transmitters. Refer to seal data sheet for all data and details relevant to seal element.

Seal model	Seal type	Seal diaphragm size (thickness)	Mnemonic
S26WA S26WE	Wafer (ASME and EN standards)	1.5 in. /DN 40	P1.5
		2 in. / DN 50	P2
		3 in. / DN 80	P3
		1.5 in. /DN 40 (low)	F1.5
		2 in. / DN 50 (low)	F2
		3 in. / DN 80 (low)	F3
S26FA S26FE S26RA S26RE	Flanged flush diaphragm (ASME and EN standards; fixed and rotating flange)	2 in. / DN 50	P2
		3 in. / DN 80	P3
		4 in. / DN 100	P3
		2 in. / DN 50 (low)	F2
	Flanged extended diaphragm (ASME and EN standards; only rotating flange S26RA and S26RE)	3 in. / DN 80 (low)	F3
		4 in. / DN 100 (low)	F3
S26RJ	Flanged flush diaphragm (JIS standards; only rotating flange)	A 50	P2
		A 80	P3
		A 100	P3
S26RR	Flanged flush diaphragm (Ring Joint ASME standards; rotating flange)	1.5 in.	P1.5
		2 in.	P2
		3 in.	P3
S26CN	Flanged Chemical Tee	3 in.	P3
S26TT	Threaded off-line flanged	2 1/2 in.	T 2.5
S26MA, S26ME	Off-line flanged (ASME and EN standards)	2 1/2 in.	T 2.5
S26SS	Union nut, Triclamp	2 in. / F50	S2
	Cherry Burrel	3 in. / F80	S3
	Sanitary, Aseptic	4 in.	S3
S26VN	Saddle and Socket	2 1/2 in.	P1.5
S26UN	Union connection type	1 1/2 in.	Z 1.5
S26BN	Button type	1 in.	B1
S26PN	Urea service flanged	1 1/2 in.	U1.5
		2 1/2 in.	U 2.5

Functional Specifications

Range and span limits

Sensor Code	Upper Range Limit (URL)	Lower Range Limit (LRL)		Minimum span	
		266GRH gauge	266ARH absolute	266GRH	266ARH
C	6 kPa 60 mbar 24 inH2O	-6 kPa -60 mbar -24 inH2O	0.07 kPa abs (§) 0.7 mbar abs (§) 0.5 mmHg (§)	0.6 kPa 6 mbar 2.4 inH2O	
F	40 kPa 400 mbar 160 inH2O	-40 kPa -400 mbar -160 inH2O	0.07 kPa abs (§) 0.7 mbar abs (§) 0.5 mmHg (§)	0.67 kPa 6.7 mbar 2.67 inH2O	2 kPa 20 mbar 15 mmHg
L	250 kPa 2500 mbar 1000 inH2O	0.07 kPa abs (§) 0.7 mbar abs (§) 0.5 mmHg (§)	0.07 kPa abs (§) 0.7 mbar abs (§) 0.5 mmHg (§)	4.17 kPa 41.7 mbar 16.7 inH2O	12.5 kPa 125 mbar 93.8 mmHg
D	1000 kPa 10 bar 145 psi	0.07 kPa abs (§) 0.7 mbar abs (§) 0.5 mmHg (§)	0.07 kPa abs (§) 0.7 mbar abs (§) 0.5 mmHg (§)	16.7 kPa 167 mbar 2.42 psi	50 kPa 500 mbar 7.25 psi
U	3000 kPa 30 bar 435 psi	0.07 kPa abs (§) 0.7 mbar abs (§) 0.5 mmHg (§)	0.07 kPa abs (§) 0.7 mbar abs (§) 0.5 mmHg (§)	50 kPa 500 mbar 7.25 psi	150 kPa 1.5 bar 21.8 psi
R	10000 kPa 100 bar 1450 psi	0.07 kPa abs (§) 0.7 mbar abs (§) 0.5 mmHg (§)	0.07 kPa abs (§) 0.7 mbar abs (§) 0.5 mmHg (§)	167 kPa 1.67 bar 24.2 psi	
V	60000 kPa 600 bar 8700 psi	0.07 kPa abs (§) 0.7 mbar abs (§) 0.5 mmHg (§)	0.07 kPa abs (§) 0.7 mbar abs (§) 0.5 mmHg (§)	1000 kPa 10 bar 145 psi	

(§) Lower Range Limit is 0.135 kPa abs, 1.35 mbar abs, 1 mmHg for inert Galden or 0.4 kPa abs, 4 mbar abs, 3 mmHg for inert Halocarbon.

Span limits

Maximum span = URL (can be further adjusted up to \pm URL (TD = 0.5) for differential models, within the range limits)
IT IS RECOMMENDED TO SELECT THE TRANSMITTER SENSOR CODE PROVIDING THE TURNDOWN VALUE AS LOWEST AS POSSIBLE TO OPTIMIZE PERFORMANCE CHARACTERISTICS.

Zero suppression and elevation

Zero and span can be adjusted to any value within the range limits detailed in the table as long as:
– calibrated span \geq minimum span

Damping

Selectable time constant : between 0 and 60 s
This is in addition to sensor response time.

Turn on time

Operation within specification in less than 10 s with minimum damping.

Insulation resistance

> 100 M Ω at 500 V DC (terminals to earth)

266GRH Gauge

266ARH Absolute

Operative limits

REFER ALSO TO S26X DATA SHEET FOR POSSIBLE FURTHER LIMITATION DUE TO SEAL VARIANTS

Pressure limits:

Overpressure limits

Without damage to the transmitter

Sensors	Fill fluid	Overpressure limits
Sensor C, F		0.07 kPa abs, 0.7 mbar abs, 0.5 mmHg and 1 MPa, 10 bar, 145 psi
Sensor L	Silicone oil, white oil	0.07 kPa abs, 0.7 mbar abs, 0.5 mmHg and 0.5 MPa, 5 bar, 72.5 psi
Sensor D	Silicone oil, white oil	0.07 kPa abs, 0.7 mbar abs, 0.5 mmHg and 2 MPa, 20 bar, 290 psi
Sensor U	Silicone oil, white oil	0.07 kPa abs, 0.7 mbar abs, 0.5 mmHg and 6 MPa, 60 bar, 870 psi
Sensor R	Silicone oil, white oil	0.07 kPa abs, 0.7 mbar abs, 0.5 mmHg and 20 MPa, 200 bar, 2900 psi
Sensor V	Silicone oil, white oil	0.07 kPa abs, 0.7 mbar abs, 0.5 mmHg and 90 MPa, 900 bar, 13050 psi
Sensor L	Inert (Galden)	0.135 kPa abs, 1.35 mbar abs, 1 mmHg and 0.5 MPa, 5 bar, 72.5 psi
Sensor D	Inert (Galden)	0.135 kPa abs, 1.35 mbar abs, 1 mmHg and 2 MPa, 20 bar, 290 psi
Sensor U	Inert (Galden)	0.135 kPa abs, 1.35 mbar abs, 1 mmHg and 6 MPa, 60 bar, 870 psi
Sensor R	Inert (Galden)	0.135 kPa abs, 1.35 mbar abs, 1 mmHg and 20 MPa, 200 bar, 2900 psi
Sensor V	Inert (Galden)	0.135 kPa abs, 1.35 mbar abs, 1 mmHg and 90 MPa, 900 bar, 13050 psi

Overpressure limit can be derated by the flange rating of seal; refer to relevant S26 data sheet.

Proof pressure

The transmitter can be exposed without leaking to line pressure of up to

Model	Proof pressure
266GRH	The overpressure limits of the sensor or
266ARH	two times the flange rating of seal, whichever is less.

Meet ANSI/ISA-S 82.03 hydrostatic test requirements. Meet ANSI/ISA-S 82.03 hydrostatic test requirements.

Temperature limits °C (°F) :

Ambient

is the operating temperature

Model 266GRH - 266ARH	Ambient temperature limits
Silicone oil	-40 and 85 °C (-40 and 185 °F)
Inert (Galden)	-40 and 85 °C (-40 and 185 °F)
White oil	-6 and 85 °C (21 and 185 °F)

Models 266GRH - 266ARH	Ambient temperature limits
LCD integral display	-40 and 85 °C (-40 and 185 °F)

LCD display may not be clearly readable below -20 °C (-4 °F) or above +70 °C (+158 °F)

IMPORTANT

For Hazardous Atmosphere applications see the temperature range specified on the certificate/approval relevant to the aimed type of protection

Process

The following table show characteristics of fill fluids when used in transmitters with remote seal(s).

Fill fluid (application)	Process temperature and pressure limits			
	Tmax @ Pabs > of	Pmin mbar abs (mmHg)	Tmax @ Pmin	Tmin
Silicone oil DC 200	250 (480)	0.7	130	-40
10 cSt	@ 385 mbar	(0.5)	(266)	(-40)
Silicone oil Baysilone PD5	250 (480)	0.7	45	-50
5 cSt	@ 900 mbar	(0.5)	(123)	(-58)
Inert oil Galden G5 (oxygen service)	160 (320) @ 1 bar	2.1 (1.52)	60 (140)	-20 (-4)
Inert oil Halocarbon 4.2 (oxygen service)	180 (356) @ 425 mbar	4 (3)	70 (158)	-20 (-4)
Silicone polymer Syltherm XLT (cryogenic service)	100 (212) @ 118 mbar	2.1 (1.52)	20 (68)	-100 (-148)
Silicone oil DC 704 (high temperature)	375 (707) @ 1 bar	0.7 (0.5)	220 (428)	-10 (14)
Vegetable oil Neobee M-20 (food - sanitary) FDA approved	200 (390) @ 1 bar	10 (7.2)	20 (68)	-18 (0)
Mineral oil Esso Marcol 122 (food - sanitary) FDA approved	250 (480) @ 630 mbar	0.7 (0.5)	110 (230)	-6 (21)
Glycerin Water 70% (food - sanitary) FDA approved	93 (200) @ 1 bar	1000 (760)	93 (200)	-7 (20)

Flushing ring gasket material	Process limits		
	Pressure (max.)	Temperature	P x T
Garlock	6.9 MPa, 69 bar, 1000 psi	-73 and 204 °C (-100 and 400 °F)	250000 (°F x psi)
Graphite	2.5 MPa, 25 bar, 362 psi	-100 and 380 °C (-148 and 716 °F)	
PTFE	6 MPa, 60 bar, 870 psi	-100 and 250 °C (-148 and 482 °F)	

Storage

Models 266XRH	Storage temperature limits
Storage limits	-50 and 85 °C (-58 and 185 °F)
LCD integral display	-40 and 85 °C (-40 and 185 °F)

266GRH Gauge

266ARH Absolute

Environmental limits

Electromagnetic compatibility (EMC)

Comply with EN 61326 and NAMUR NE-21
Surge immunity level (with surge protector): 4 kV
(according to IEC 1000-4-5 EN 61000-4-5)

Pressure equipment directive (PED)

Comply with 97/23/EEC Category III Module H.

Humidity

Relative humidity: up to 100 %
Condensing, icing: admissible

Vibration resistance

Accelerations up to 2 g at frequency up to 1000 Hz
(according to IEC 60068-2-6)

Shock resistance

Acceleration: 50 g
Duration: 11 ms
(according to IEC 60068-2-27)

Wet and dust-laden atmospheres

The transmitter is dust and sand tight and protected against immersion effects as defined by EN 60529 (1989) to IP 67 (IP 68 on request) or by NEMA to 4X or by JIS to C0920. IP65 with Harting Han connector.

Hazardous atmospheres

With or without integral display

INTRINSIC SAFETY:

ATEX Europe (code E1) and IEC Ex (code E8) approval

II 1 G Ex ia IIC T6/T5/T4 and

II 1/2 G Ex ia IIC T6/T5/T4; IP67.

II 1 D Ex iaD 20 T85 °C and

II 1/2 D Ex iaD 21 T85 °C; IP67.

EXPLOSION PROOF:

ATEX Europe (code E2) and IEC Ex (code E9) approval

II 1/2 G Ex d IIC T6 and

II 1/2 D Ex tD A21 T85 °C (-50 °C ≤ Ta ≤ +75 °C); IP67.

TYPE "N":

ATEX Europe (code E3) and IEC Ex (code ER)

type examination

II 3 G Ex nL IIC T6/T5/T4 and

II 3 D Ex tD A22 T85 °C; IP67.

FM Approvals US (code E6) and

FM Approvals Canada (code E4):

– Explosionproof (US): Class I, Div. 1, Groups A, B, C, D

– Explosionproof (Canada): Class I, Div. 1, Groups B, C, D

– Dust ignitionproof: Class II, Div. 1, Groups E, F, G

– Suitable for: Class II, Div. 2, Groups F, G; Class III, Div.1, 2

– Nonincendive: Class I, Div. 2, Groups A, B, C, D

– Intrinsically safe: Class I, II, III, Div. 1, Groups A, B, C, D, E, F, G

Class I, Zone 0 AEx ia IIC T6/T4, Zone 0 (FM US)

Class I, Zone 0 Ex ia IIC T6/T4, Zone 0 (FM Canada)

COMBINED ATEX (code EW = E1 + E2 + E3)

COMBINED ATEX and FM Approvals (code EN = EW + E4 + E6)

COMBINED FM Approvals US and Canada

– Intrinsically safe (code EA)

– Explosionproof (code EB)

– Nonincendive (code EC)

– GOST (Russia), GOST (Kazakhstan), Inmetro (Brazil)

based on ATEX

REFER TO CERTIFICATES FOR AMBIENT TEMPERATURE RANGES (WITHIN THE LIMITS OF -50 TO 85°C) RELATED TO THE DIFFERENT TEMPERATURE CLASSES

Electrical Characteristics and Options

HART digital communication and 4 to 20 mA output Power Supply

The transmitter operates from 10.5 to 42 V DC with no load and is protected against reverse polarity connection (additional load allows operations over 42 V DC).

For EEx ia and other intrinsically safe approval power supply must not exceed 30 V DC.

Minimum operating voltage increase to 12.3 V DC with optional surge protector

Ripple

20 mV max on a 250 Ω load as per HART specifications.

Load limitations

4 to 20 mA and HART total loop resistance :

$$R \text{ (k}\Omega\text{)} = \frac{\text{Supply voltage} - \text{min. operating voltage (V DC)}}{22 \text{ mA}}$$

A minimum of 250 Ω is required for HART communication.

Optional indicators

Integral display (code L1)

Wide screen LCD, 128 x 64 pixel,

52.5 x 27.2 mm (2.06 x 1.07 in.) dot matrix. Multilanguage.

Four keys for configuration and management of device.

Easy setup for quick commissioning.

User selectable application-specific visualizations.

Totalized and instantaneous flow indication.

Display may also indicate static pressure, sensor temperature and diagnostic messages and provides configuration facilities.

Through-the-glass (TTG) controlled display (code L5)

As above integral display but equipped with the innovative TTG keypad allowing the activation of the configuration and management menus of the device without the need of removing the transmitter housing cover.

TTG keypad is protected against accidental activations.

Optional surge protection

Up to 4kV

– voltage 1.2 μ s rise time / 50 μ s delay time to half value

– current 8 μ s rise time / 20 μ s delay time to half value

Output signal

Two-wire 4 to 20 mA, user-selectable for linear 22 points linearization table (i.e. for horizontal or spherical tank level measurement).

HART® communication provides digital process variable superimposed on 4 to 20 mA signal, with protocol based on Bell 202 FSK standard.

Output current limits (to NAMUR standard)

Overload condition

- Lower limit: 3.8 mA (configurable from 3.8 to 4 mA)

- Upper limit: 20.5 mA (configurable from 20 to 21 mA)

Alarm current

- Lower limit: 3.6 mA (configurable from 3.6 to 4 mA)

- Upper limit: 21 mA (configurable from 20 to 22 mA)

Factory setting: high alarm current

Process diagnostics (PILD)

Plugged impulse line detection (PILD) generates a warning via HART communication. The device can also be configured to drive the analog output signal to the "Alarm current".



266GRH Gauge

266ARH Absolute

FOUNDATION Fieldbus output

Device type

LINK MASTER DEVICE

Link Active Scheduler (LAS) capability implemented.

Manufacturer code: 000320 (hex)

Device type code: 0007 (hex)

Power supply

The transmitter operates from 9 to 32 V DC, polarity independent, with or without surge protector.

For EEx ia approval power supply must not exceed 24 V DC (entity certification) or 17.5 V DC (FISCO certification), according to FF-816.

Current consumption

operating (quiescent): 15 mA

fault current limiting: 20 mA max.

Output signal

Physical layer in compliance to IEC 1158-2/EN 61158-2 with transmission to Manchester II modulation, at 31.25 kbit/s.

Function blocks/execution period

3 enhanced Analog Input blocks/25 ms max (each)

1 enhanced PID block/40 ms max.

1 standard ARithmetic block/25 ms

1 standard Input Selector block/25 ms

1 standard Control Selector block/25 ms

1 standard Signal Characterization block/25 ms

1 standard Integrator/Totalizer block/25 ms

Additional blocks

1 enhanced Resource block,

1 custom Pressure with calibration transducer block

1 custom Advanced Diagnostics transducer block including

Plugged Input Line Detection

1 custom Local Display transducer block

Number of link objects

35

Number of VCRs

35

Output interface

FOUNDATION fieldbus digital communication protocol to standard H1, compliant to specification V. 1.7.

Integral display

Wide screen LCD, 128 x 64 pixel,

52.5 x 27.2 mm (2.06 x 1.07 in.) dot matrix. Multilanguage.

Four keys for configuration and management of device.

Easy setup for quick commissioning.

User selectable application-specific visualizations.

Totalized and instantaneous flow indication.

Display may also indicate static pressure, sensor temperature and diagnostic messages and provides configuration facilities.

Transmitter failure mode

The output signal is “frozen” to the last valid value on gross transmitter failure condition, detected by self-diagnostics which also indicate a BAD conditions. If electronic failure or short circuit occur the transmitter consumption is electronically limited at a defined value (20 mA approx), for safety of the network.

PROFIBUS PA output

Device type

Pressure transmitter compliant to Profiles 3.0.1

Identification number: 3450 (hex)

Power supply

The transmitter operates from 9 to 32 V DC, polarity independent, with or without surge protector.

For EEx ia approval power supply must not exceed 17.5 V DC.

Intrinsic safety installation according to FISCO model.

Current consumption

operating (quiescent): 15 mA

fault current limiting: 20 mA max.

Output signal

Physical layer in compliance to IEC 1158-2/EN 61158-2 with transmission to Manchester II modulation, at 31.25 kbit/s.

Output interface

PROFIBUS PA communication according to Profibus DP50170 Part 2/DIN 19245 part 1-3.

Output update time

25 ms

Function blocks

3 analog input, 3 transducer, 1 physical.

Integral display

Wide screen LCD, 128 x 64 pixel,

52.5 x 27.2 mm (2.06 x 1.07 in.) dot matrix. Multilanguage.

Four keys for configuration and management of device.

Easy setup for quick commissioning.

User selectable application-specific visualizations.

Instantaneous flow indication.

Display may also indicate static pressure, sensor temperature and diagnostic messages and provides configuration facilities.

Transmitter failure mode

On gross transmitter failure condition, detected by self-diagnostics, the output signal can be driven to defined conditions, selectable by the user as safe, last valid or calculated value.

If electronic failure or short circuit occur the transmitter consumption is electronically limited at a defined value (20 mA approx), for safety of the network.

Performance specifications

Stated at reference condition to IEC 60770 ambient temperature of 20 °C (68 °F), relative humidity of 65 %, atmospheric pressure of 1013 hPa (1013 mbar), mounting position with vertical diaphragm and zero based range for transmitter with isolating diaphragms in AISI 316 L ss or Hastelloy and silicone oil fill and HART digital trim values equal to 4 mA and to 20 mA span end points, in linear mode. Unless otherwise specified, errors are quoted as % of span. Some performance referring to the Upper Range Limit are affected by the actual turndown (TD) as ratio between Upper Range Limit (URL) and calibrated span.

IT IS RECOMMENDED TO SELECT THE TRANSMITTER SENSOR CODE PROVIDING THE TURNDOWN VALUE AS LOWEST AS POSSIBLE TO OPTIMIZE PERFORMANCE CHARACTERISTICS.

Accuracy rating

% of calibrated span, including combined effects of terminal based linearity, hysteresis and repeatability.

For fieldbus versions SPAN refer to analog input function block outscale range

Model	Sensor	for TD up to	
266GRH with seals mnemonic P3, F3, E3, S3, F2	D and U	from 1:1 to 10:1	± 0.06 %
	D and U	from 10:1 to 60:1	± (0.006 x TD) %
	F, L, R, V	from 1:1 to 10:1	± 0.075 %
	F, L, R, V	from 10:1 to 60:1	± (0.0075 x TD) %
	C	from 1:1 to 5:1	± 0.075 %
266GRH with seals different from above	C	from 5:1 to 10:1	± (0.015 x TD) %
	F, L, D,	from 1:1 to 10:1	± 0.10 %
	U, R, V	from 10:0 to 60:1	± (0.01 x TD) %
266ARH with seals mne- monic P3, F3, E3, S3, F2	C	from 1:1 to 5:1	± 0.10 %
	C	from 5:1 to 10:1	± (0.02 x TD) %
266ARH with seals different from above	F, L,	from 1:1 to 10:1	± 0.075 %
	D, U	from 10:1 to 20:1	± (0.0075 x TD) %
266ARH with seals different from above	F, L,	from 1:1 to 10:1	± 0.10 %
	D, U	from 10:1 to 20:1	± (0.01 x TD) %

266GRH Gauge

266ARH Absolute

Ambient temperature

Transmitter effect per 20K change between the limits of -40 °C to +85 °C (per 36 °F change between the limits of -40 to +185 °F):

Model	Sensor	for TD up to	
266GRH	L to V	10 : 1	± (0.04 % URL + 0.065 % span)
266GRH	C, F	10 : 1 (5 :1 for C)	± (0.06 % URL + 0.09 % span)
266ARH	L to U	10 : 1	± (0.04 % URL + 0.065 % span)
266ARH	F	10 : 1	± (0.06 % URL + 0.09 % span)

REFER TO S26 SEALS DATA SHEET FOR TEMPERATURE ADDITIONAL EFFECTS OF REMOTE SEAL(S)

Supply voltage

Within voltage/load specified limits the total effect is less than 0.005 % of URL per volt.

Load

Within load/voltage specified limits the total effect is negligible.

Electromagnetic field

Meets all the requirements of EN 61326 and NAMUR NE-21.

Common mode interference

No effect from 100Vrms @ 50Hz, or 50 V DC

Physical Specification

(Refer to ordering information sheets for variant availability related to specific model or versions code)

Model 266GRH, 266ARH

Seal side process diaphragm (remote seal) (*)

AISI 316 L ss; Hastelloy C-276™; Hastelloy C-2000™; Inconel 625; Tantalum; AISI 316 L ss or Hastelloy C-276™ with anti-stick coating; AISI 316 L ss with anti-corrosion coating; AISI 316 L ss gold plated; Superduplex ss (UNS S32750 to ASTM SA479); Diaflex (AISI with anti-abrasion treatment).

Extension material (*)

AISI 316 L ss (also for Diaflex and gold plated diaphragms); Hastelloy C-276™; AISI 316 L ss or Hastelloy C-276™ with coating same as diaphragm

Seal side fill fluid (remote seal)

Silicone oil-DC200™; Silicone oil-DC704™; Inert-Galden™; Inert-Halocarbon™ 4.2; Silicone Polymer-Syltherm XLT™; Low viscosity silicone oil-Baysilone™ M5; Glycerin Water; Vegetable oil-Neobee M-20™; Mineral oil-Esso Marcol 122™.

Sensor fill fluid

Silicone oil; Inert fill (Galden™); white oil (FDA).

Sensor housing

AISI 316 L ss.

Electronic housing and covers

Aluminium alloy (copper content ≤ 0.3 %) with baked epoxy finish (colour RAL9002);

AISI 316 L ss.

Covers O-ring

Buna N.

Mounting bracket (**)

Zinc plated carbon steel with chrome passivation; AISI 316 L ss.

Local adjustments (zero, span and write protect)

Glass filled polyphenylene oxide (removable).

Plates

AISI 316ss for transmitter nameplate, certification plate, optional tag/calibration plate attached to the electronics housing and optional wired-on customer data plate. All printing by laser.

Calibration

Standard: at maximum span, zero based range, ambient temperature and pressure;

Optional: at specified range and ambient conditions.

Optional extras

Mounting bracket

For vertical and horizontal 60mm. (2in) pipes or wall mounting.

Display

4-position (at 90°) user orientable.

Optional plates

Code I2: for tag (up to 31 characters) and calibration details (up to 31 characters: lower and upper values plus unit) fixed onto transmitter housing.

Code I1: for customer data (32 character x 4 lines) wired-on transmitter housing

Surge protection

Test Certificates (test, design, calibration, material traceability)

Tag and manual language

Communication connectors

Process connections

Refer to S26 seal data sheet for process connection variants through remote seal

Electrical connections

Two 1/2 – 14 NPT or M20x1.5 threaded conduit entries, direct on housing.

Special communication connector (on request)

– HART: straight or angle Harting Han 8D connector and one plug.

– FOUNDATION Fieldbus, PROFIBUS PA: M12x1 or 7/8 in.

Terminal block

HART version: three terminals for signal/external meter wiring up to 2.5 mm² (14 AWG), also connection points for test and communication purposes.

Fieldbus versions: two terminals for signal wiring (bus connection) up to 2.5 mm² (14 AWG)

Grounding

Internal and external 6 mm² (10 AWG) ground termination points are provided.

Mounting position

Transmitter can be mounted in any position.

Electronics housing may be rotated to any position. A positive stop prevents over travel.

Mass (without options and seals)

models 266GRH, 266ARH: 2 kg approx (4.4 lb)

Add 1.5kg (3.4lb) for AISI housing.

Add 650g (1.5lb) for packing.

Consider additional weight up to 50 kg (up to 110 lb) for seals.

Packing

Carton

(*) Wetted parts of the transmitter.

(**) U-bolt material: high-strength alloy steel or AISI 316 L ss;
bolts/nuts material: high-strength alloy steel or AISI 316 ss.

266GRH Gauge 266ARH Absolute

Configuration

Transmitter with HART communication and 4 to 20 mA Standard configuration

Transmitters are factory calibrated to customer's specified range. Calibrated range and tag number are stamped on the tag plate. If a calibration range and tag data are not specified, the transmitter will be supplied with the plate left blank and configured as follows:

Engineering Unit	kPa
4 mA	Zero
20 mA	Upper Range Limit (URL)
Output	Linear
Damping	1 s
Transmitter failure mode	Upscale
Software tag (8 characters max)	Blank
Optional LCD display	PV in kPa; output in mA and in percentage on bargraph

Any or all the above configurable parameters, including Lower range-value and Upper range-value which must be the same unit of measure, can be easily changed using the HART hand-held communicator or by a PC running the configuration software with DTM for 266 models. The transmitter database is customized with specified flange type and material, O-ring and drain/vent materials and meter code option.

Custom configuration (option)

The following data may be specified in addition to the standard configuration parameters:

Descriptor	16 alphanumeric characters
Message	32 alphanumeric characters
Date	Day, month, year

For HART protocol available engineering units of pressure measure are :

Pa, kPa, MPa

inH₂O@4 °C, mmH₂O@4 °C, psi

inH₂O@20 °C, ftH₂O@20 °C, mmH₂O@20 °C

inHg, mmHg, Torr

g/cm², kg/cm², atm

mbar, bar

These and others are available for PROFIBUS and FOUNDATION Fieldbus.

Transmitter with PROFIBUS PA communication Standard configuration

Transmitters are factory calibrated to customer's specified range. Calibrated range and tag number are stamped on the tag plate. If a calibration range and tag data are not specified, the transmitter will be supplied with the plate left blank and configured as follows:

Measure Profile	Pressure
Engineering Unit	kPa
Output scale 0 %	Lower Range Limit (LRL)
Output scale 100 %	Upper Range Limit (URL)
Output	Linear
Hi-Hi Limit	Upper Range Limit (URL)
Hi Limit	Upper Range Limit (URL)
Low Limit	Lower Range Limit (LRL)
Low-Low Limit	Lower Range Limit (LRL)
Limits hysteresis	0.5 % of output scale
PV filter	0 s
Address (set by local key)	126
Tag	32 alphanumeric characters
Optional LCD display	PV in kPa; output in percentage on bargraph

Any or all the above configurable parameters, including the range values which must be the same unit of measure, can be easily changed by a PC running the configuration software with DTM for 266 models. The transmitter database is customized with specified flange type and material, O-ring and drain/vent materials and meter code option.

Custom configuration (option)

The following data may be specified in addition to the standard configuration parameters:

Descriptor	32 alphanumeric characters
Message	32 alphanumeric characters
Date	Day, month, year

Transmitter with FOUNDATION Fieldbus communication

Standard configuration

Transmitters are factory calibrated to customer's specified range. Calibrated range and tag number are stamped on the tag plate. If a calibration range and tag data are not specified, the transmitter will be supplied with the plate left blank and the analog input function block FB1 is configured as follows:

Measure Profile	Pressure
Engineering Unit	kPa
Output scale 0 %	Lower Range Limit (LRL)
Output scale 100 %	Upper Range Limit (URL)
Output	Linear
Hi-Hi Limit	Upper Range Limit (URL)
Hi Limit :	Upper Range Limit (URL)
Low Limit	Lower Range Limit (LRL)
Low-Low Limit	Lower Range Limit (LRL)
Limits hysteresis	0.5 % of output scale
PV filter time	0 s
Tag	32 alphanumeric characters
Optional LCD display	PV in kPa; output in percentage on bargraph

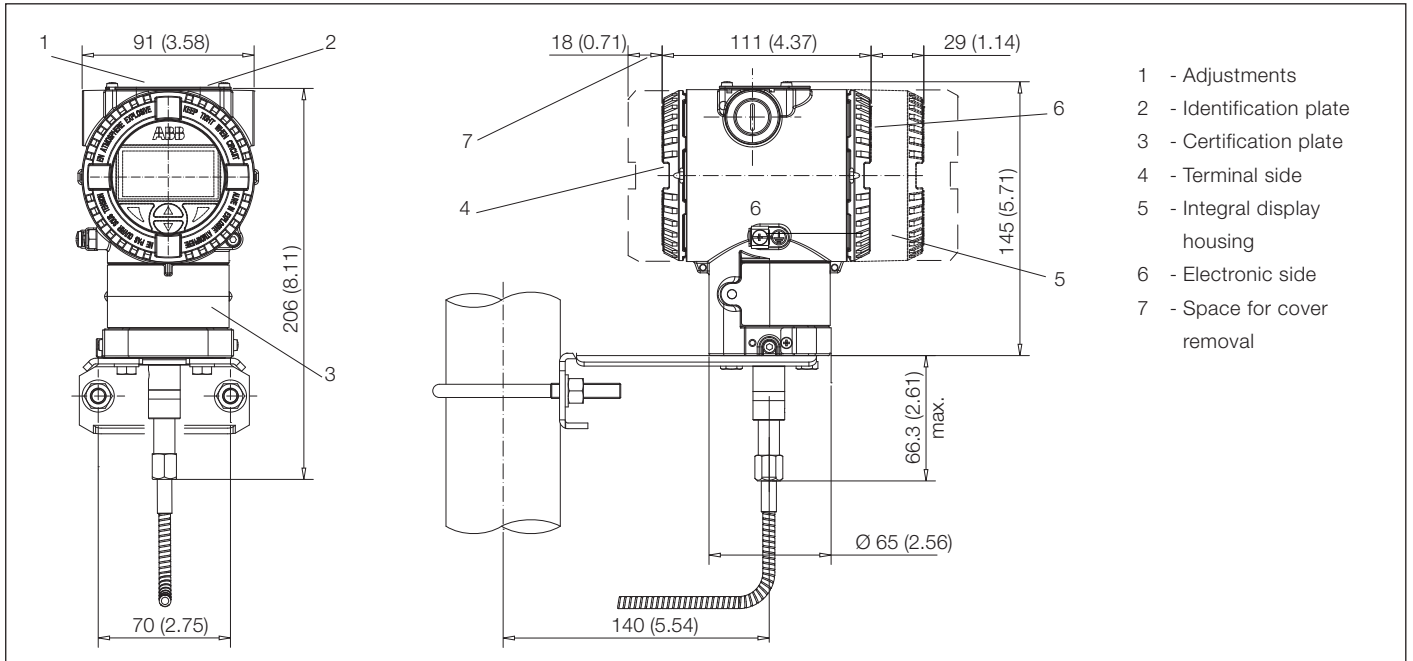
The analog input function block FB2 and FB3 are configured respectively for the sensor temperature measured in °C and for the static pressure measured in MPa.

Any or all the above configurable parameters, including the range values, can be changed using any host compliant to FOUNDATION fieldbus. The transmitter database is customized with specified flange type and material, O-ring and drain/vent materials and meter code option.

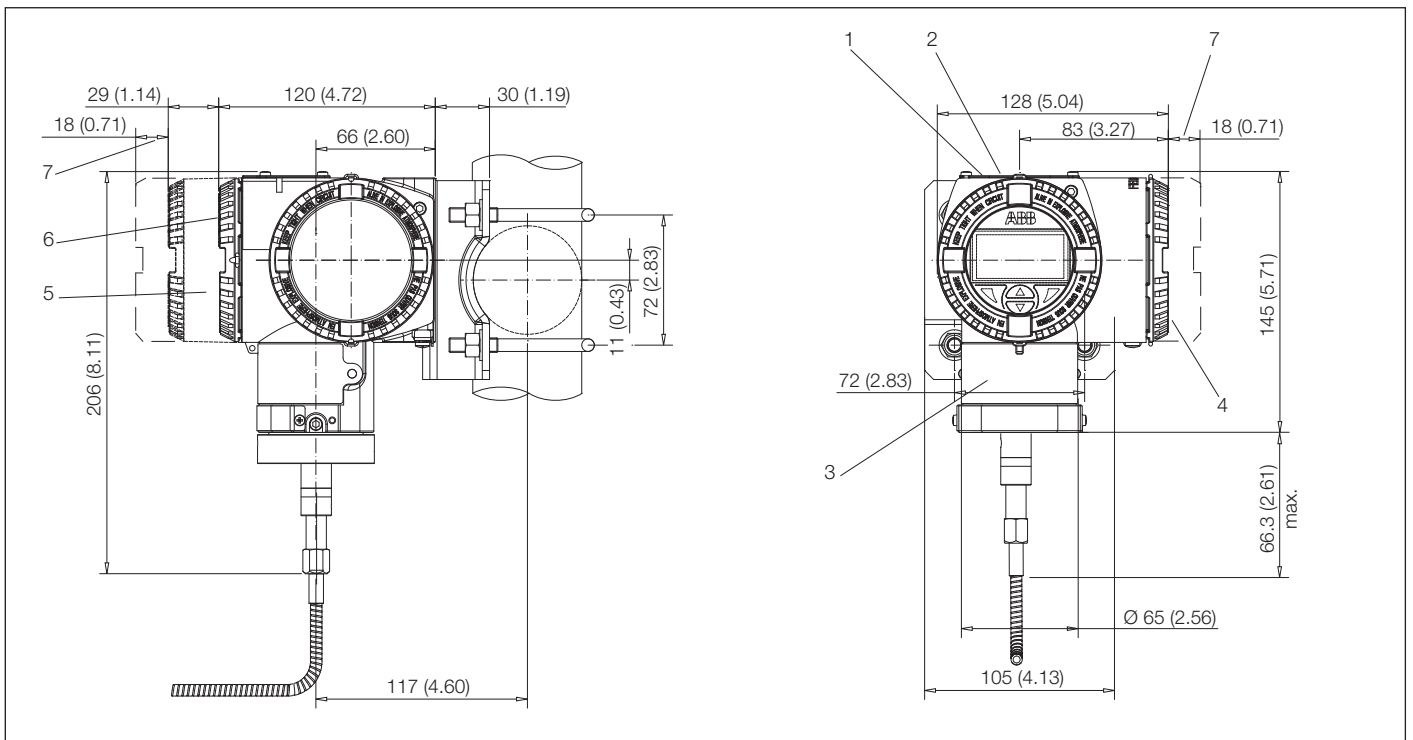
266GRH Gauge 266ARH Absolute

MOUNTING DIMENSIONS (not for construction unless certified) – dimensions in mm (in.)

266GRH, 266ARH with barrel housing on bracket for vertical or horizontal 60 mm (2in) pipe

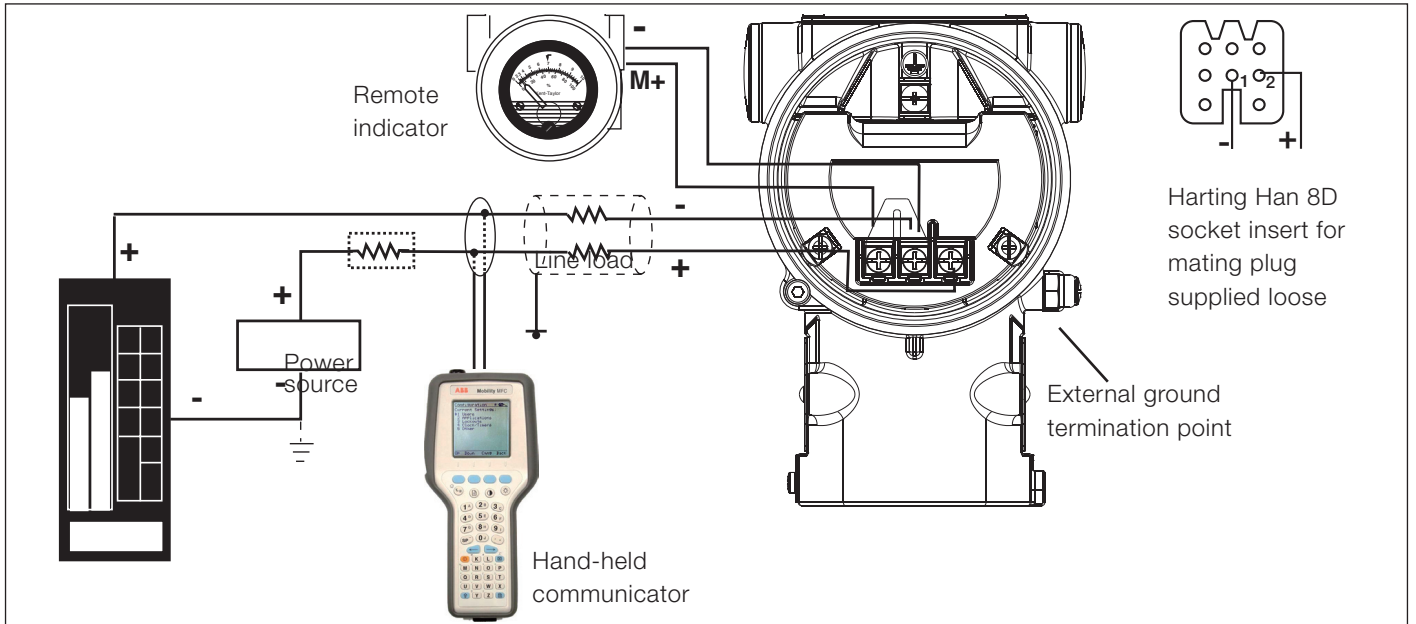


266GRH, 266ARH with DIN housing on bracket for vertical or horizontal 60 mm (2in) pipe



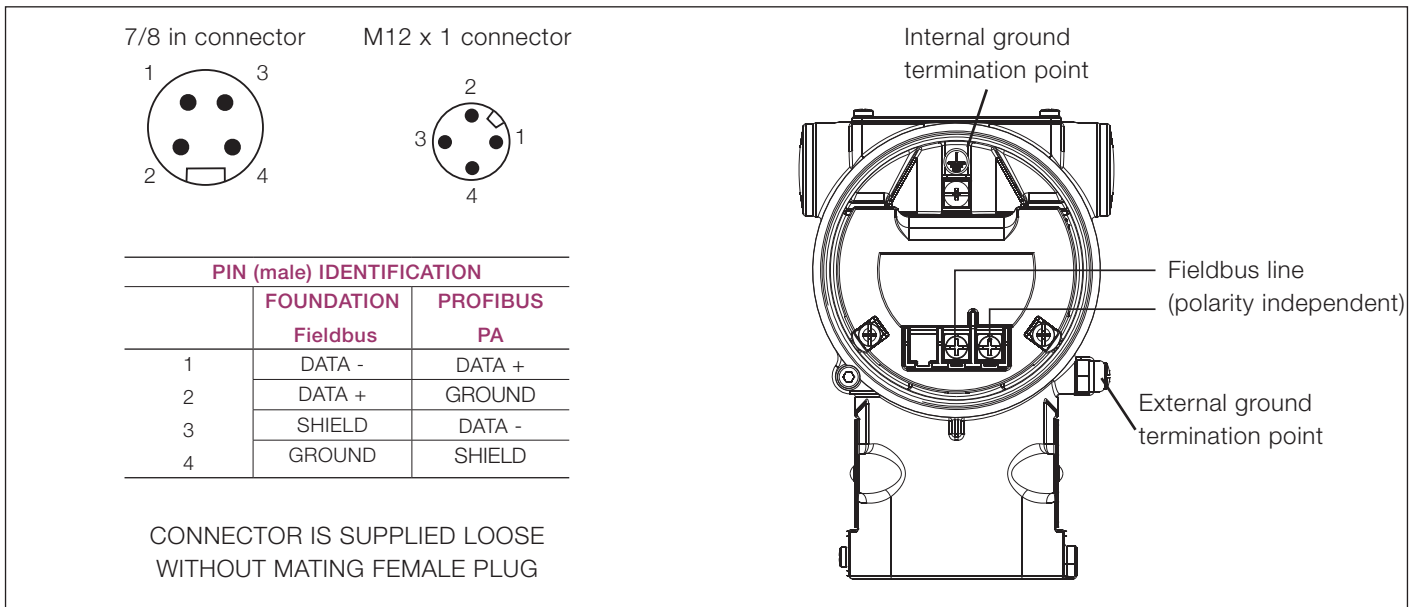
Electrical connections

HART Version



HART hand-held communicator may be connected at any wiring termination point in the loop, providing the minimum resistance is 250 ohm. If this is less than 250 ohm, additional resistance should be added to allow communications.

FIELDBUS Versions



266GRH Gauge

266ARH Absolute

BASIC ORDERING INFORMATION model 266GRH Gauge Pressure Transmitter with remote seal

Select one character or set of characters from each category and specify complete catalog number.

Refer to additional ordering information and specify one or more codes for each transmitter if additional options are required.

BASE MODEL - 1 st to 6 th characters			2 6 6 G R H	X	X	X	X	X
Gauge Pressure Transmitter with remote seal – BASE ACCURACY 0.06 %								
SENSOR - Span limits - 7 th characters								
0.6 and 6 kPa	6 and 60 mbar	2.4 and 24 inH2O		C				
0.67 and 40 kPa	6.7 and 400 mbar	2.67 and 160 inH2O		F				
4.17 and 250 kPa	41.7 and 2500 mbar	16.7 and 1000 inH2O		L				
16.7 and 1000 kPa	0.167 and 10 bar	2.42 and 145 psi		D				
50 and 3000 kPa	0.5 and 30 bar	7.25 and 435 psi		U				
167 and 10000 kPa	1.67 and 100 bar	24.2 and 1450 psi		R				
1000 and 60000 kPa	10 and 600 bar	145 and 8700 psi		V				
Diaphragm material / Fill fluid (wetted parts) - 8 th characters								
Hastelloy C276™	Silicone oil	(Note 2)			R			
Hastelloy C276™	Inert fluid - Galden	(Notes 1, 2)			2			
Hastelloy C276™	White oil (FDA)	(Note 2)			N			
Ceramic	No filling	(Note 3)			J			
Process connection (wetted parts) - 9 th characters								
Remote seal	(one seal to be quoted separately)						R	
Housing material and electrical connection - 10 th characters								
Aluminium alloy (barrel version)	1/2 – 14 NPT							A
Aluminium alloy (barrel version)	M20 x 1.5 (CM 20)							B
Aluminium alloy (barrel version)	Harting Han 8D connector	(general purpose only)			(Note 4)			E
Aluminium alloy (barrel version)	Fieldbus connector	(general purpose only)			(Note 4)			G
AISI 316 L ss (barrel version)	1/2 – 14 NPT							S
AISI 316 L ss (barrel version)	M20 x 1.5 (CM20)							T
AISI 316 L ss (barrel version)	Fieldbus connector	(general purpose only)			(Note 4)			Z
Aluminium alloy (DIN version)	M20 x 1.5 (CM20)							J
Aluminium alloy (DIN version)	Harting Han 8D connector	(general purpose only)			(Note 4)			K
Aluminium alloy (DIN version)	Fieldbus connector	(general purpose only)			(Note 4)			W
Output/Additional options - 11 th characters								
HART digital communication and 4 to 20 mA	No additional options				(Notes 5, 6)			H
HART digital communication and 4 to 20 mA	Options requested by "Additional ordering code"				(Note 5)			1
PROFIBUS PA	No additional options				(Notes 5, 6)			P
PROFIBUS PA	Options requested by "Additional ordering code"				(Note 6)			2
FOUNDATION Fieldbus	No additional options				(Notes 5, 6)			F
FOUNDATION Fieldbus	Options requested by "Additional ordering code"				(Note 6)			3
HART and 4 to 20 mA Safety - certified to IEC 61508	No additional options				(Notes 5, 6)			T
HART and 4 to 20 mA Safety - certified to IEC 61508	Options requested by "Additional ordering code"				(Note 5)			8

ADDITIONAL ORDERING INFORMATION for model 266GRH

Add one or more 2-digit code(s) after the basic ordering information to select all required options

	XX	XX	XX	XX
Hazardous area certifications				
ATEX Intrinsic Safety II 1 G and II 1/2 G Ex ia IIC T6; II 1 D Ex iaD 20 T 95 °C and II 1/2D Ex iaD 21 T95 °C	E1			
ATEX Explosion Proof Group II Category 1/2 G Ex d IIC T6 and Group II Category 1/2 D Ex tD A21 IP67 T85 °C (Notes 2, 7)	E2			
ATEX Type „N“ Group II Category 3 G Ex nL IIC T6 and Group II Category 3 D Ex tD A22 IP67 T85 °C	E3			
Combined ATEX - Intrinsic Safety, Explosion Proof and Type „N“ (Notes 7, 8)	EW			
Combined ATEX, FM Approvals (USA) and FM Approvals (Canada) (Notes 7, 8)	EN			
FM Approvals (Canada) approval (Notes 7, 8)	E4			
FM Approvals (USA) approval (Notes 7, 8)	E6			
FM Approvals (USA and Canada) Intrinsic Safety	EA			
FM Approvals (USA and Canada) Explosion Proof (Notes 2, 7)	EB			
FM Approvals (USA and Canada) Nonincendive	EC			
IEC Intrinsic Safety II 1 G and II 1/2 G Ex ia IIC T6; II 1 D Ex iaD 20 T 95 °C and II 1/2D Ex iaD 21 T95 °C;	E8			
IEC Explosion Proof Group II Category 1/2 G Ex d IIC T6 and Group II Category 1/2 D Ex tD A21 IP67 T85 °C (Notes 2, 7)	E9			
IEC Group II Category 3 G Ex nL IIC T6 and Group II Category 3 D Ex tD A22 IP67 T85 °C	ER			
Other hazardous area certifications				
GOST (Russia) EEx ia	W1			
GOST (Russia) EEx d (Notes 2, 7)	W2			
GOST (Kazakhstan) EEx ia	W3			
GOST (Kazakhstan) EEx d (Notes 2, 7)	W4			
Inmetro (Brazil) EEx ia	W5			
Inmetro (Brazil) EEx d (Notes 2, 7)	W6			
Inmetro (Brazil) EEx nL	W7			
Integral LCD				
Digital LCD integral display	L1			
TTG (Through-The-Glass) digital LCD controlled display	L5			
Mounting bracket (shape and material)				
For pipe/wall mounting - Carbon steel (Not suitable for AISI housing)				B1
For pipe/wall mounting - AISI 316 L ss				B2
Surge				
Surge/Transient Protector				S2

266GRH Gauge

266ARH Absolute

ADDITIONAL ORDERING INFORMATION for model 266GRH	XX	XX	XX	XX	XX
Operating manual (up to 2 different selections allowed)					
German	M1				
Italian	M2				
Spanish	M3				
French	M4				
English	M5				
Chinese	M6				
Plates language					
German		T1			
Italian		T2			
Spanish		T3			
French		T4			
Additional tag plate					
Supplemental wired-on stainless steel plate				I1	
Laser printing of tag on stainless steel plate				I2	
Configuration					
Standard – Pressure = inH2O/ psi at 68 °F; Temperature = deg. F					N2
Standard – Pressure = inH2O/ psi at 39.2 °F; Temperature = deg. F					N3
Standard – Pressure = inH2O/ psi at 20 °C; Temperature = deg. C					N4
Standard – Pressure = inH2O/ psi at 4 °C; Temperature = deg. C					N5
Custom					N6
Certificates (up to 2 different selections allowed)					
Inspection certificate EN 10204–3.1 of calibration (9-point)					C1
Inspection certificate EN 10204–3.1 of the cleanliness stage					C3
Inspection certificate EN 10204–3.1 of helium leakage test of the sensor module					C4
Inspection certificate EN 10204–3.1 of the pressure test					C5
Certificate of compliance with the order EN 10204–2.1 of instrument design					C6
Overfill protection					C9
Printed record of configured data of transmitter					CG
PMI test of wetted parts					CT

ADDITIONAL ORDERING INFORMATION FOR MODEL 266GRH		XX	XX	XX	XX
Approvals					
GOST (Russia) without Ex		Y1			
GOST (Kazakhstan) without Ex		Y2			
GOST (Ukraine) without Ex		Y3			
GOST (Belarus) without Ex		Y4			
DNV approval			YA		
Lloyd approval			YB		
Approval for Custody transfer			YC		
Bureau Veritas approval			YD		
Material traceability					
Certificate of compliance with the order EN 10204–2.1 of process wetted parts					H1
Inspection certificate EN 10204–3.1 of process wetted parts					H3
Test report EN 10204–2.2 of pressure bearing and process wetted parts					H4
Connector					
Fieldbus 7/8 in. (Recommended for FOUNDATION Fieldbus) - (supplied loose without mating female plug)		(Notes 6, 9)			U1
Fieldbus M12x1 (Recommended for PROFIBUS PA) - (supplied loose without mating female plug)		(Notes 6, 9)			U2
Harting Han 8D – straight entry - (supplied loose)		(Notes 5, 9)			U3
Harting Han 8D – angle entry - (supplied loose)		(Notes 5, 9)			U4

- Note 1: Suitable for oxygen service
Note 2: Not available with Sensor C, F
Note 3: Not available with Sensor L, D, U, R, V
Note 4: Select type in additional ordering code
Note 5: Not available with Housing code G, Z, W
Note 6: Not available with Housing code E, K
Note 7: Not available with Housing code J, K, W
Note 8: Not Ex d for sensor code C, F
Note 9: Not available with Housing code, A, B, S, T, J

Standard delivery items (can be differently specified by additional ordering code)

- General purpose (no electrical certification)
- No display, no mounting bracket, no surge protection
- English manual and labels
- Configuration with kPa and deg. C units
- No test, inspection or material traceability certificates

THE SELECTION OF SUITABLE WETTED PARTS AND FILLING FLUID FOR COMPATIBILITY WITH THE PROCESS MEDIA IS A CUSTOMER’S RESPONSIBILITY, IF NOT OTHERWISE NOTIFIED BEFORE MANUFACTURING.

NACE CONFORMITY IS ACCORDING TO RECOMMENDATIONS PER MR0175 / ISO 15156.

AISI 316, AISI 316 L, HASTELLOY C-276 AND MONEL ALSO COMPLY WITH MR0103 IF ALREADY WITH MR0175.

266GRH Gauge

266ARH Absolute

BASIC ORDERING INFORMATION model 266ARH Absolute Pressure Transmitter with remote seal

Select one character or set of characters from each category and specify complete catalog number.

Refer to additional ordering information and specify one or more codes for each transmitter if additional options are required.

BASE MODEL - 1 st to 6 th characters			2 6 6 A R H	X	X	X	X	X
Absolute Pressure Transmitter with remote seal – BASE ACCURACY 0.075 %								
SENSOR - Span limits - 7 th characters								
2 and 40 kPa	20 and 400 mbar	15 and 300 mmHg		F				
12.5 and 250 kPa	125 and 2500 mbar	93.8 and 1875 mmHg		L				
50 and 1000 kPa	0.5 and 10 bar	7.25 and 145 psi		D				
150 and 3000 kPa	1.5 and 30 bar	21.7 and 435 psi		U				
Diaphragm material / Fill fluid (wetted parts) - 8 th characters								
Hastelloy C276™	Silicone oil	(Note 2)			R			
Hastelloy C276™	Inert fluid - Galden	(Notes 1, 2)			2			
Hastelloy C276™	White oil (FDA)	(Note 2)			N			
Ceramic	No filling	(Note 3)			J			
Process connection (wetted parts) - 9 th characters								
Remote seal	(one seal to be quoted separately)						R	
Housing material and electrical connection - 10 th characters								
Aluminium alloy (barrel version)	1/2 – 14 NPT							A
Aluminium alloy (barrel version)	M20 x 1.5 (CM 20)							B
Aluminium alloy (barrel version)	Harting Han 8D connector	(general purpose only)				(Note 4)		E
Aluminium alloy (barrel version)	Fieldbus connector	(general purpose only)				(Note 4)		G
AISI 316 L ss (barrel version)	1/2 – 14 NPT							S
AISI 316 L ss (barrel version)	M20 x 1.5 (CM20)							T
AISI 316 L ss (barrel version)	Fieldbus connector	(general purpose only)				(Note 4)		Z
Aluminium alloy (DIN version)	M20 x 1.5 (CM20)							J
Aluminium alloy (DIN version)	Harting Han 8D connector	(general purpose only)				(Note 4)		K
Aluminium alloy (DIN version)	Fieldbus connector	(general purpose only)				(Note 4)		W
Output/Additional options - 11 th characters								
HART digital communication and 4 to 20 mA	No additional options					(Notes 5, 6)		H
HART digital communication and 4 to 20 mA	Options requested by "Additional ordering code"					(Note 5)		1
PROFIBUS PA	No additional options					(Notes 5, 6)		P
PROFIBUS PA	Options requested by "Additional ordering code"					(Note 6)		2
FOUNDATION Fieldbus	No additional options					(Notes 5, 6)		F
FOUNDATION Fieldbus	Options requested by "Additional ordering code"					(Note 6)		3
HART and 4 to 20 mA Safety - certified to IEC 61508	No additional options					(Notes 5, 6)		T
HART and 4 to 20 mA Safety - certified to IEC 61508	Options requested by "Additional ordering code"					(Note 5)		8

ADDITIONAL ORDERING INFORMATION for model 266ARH

Add one or more 2-digit code(s) after the basic ordering information to select all required options

	XX	XX	XX	XX
Hazardous area certifications				
ATEX Intrinsic Safety II 1 G and II 1/2 G Ex ia IIC T6; II 1 D Ex iaD 20 T 95 °C and II 1/2D Ex iaD 21 T95 °C	E1			
ATEX Explosion Proof Group II Category 1/2 G Ex d IIC T6 and Group II Category 1/2 D Ex tD A21 IP67 T85 °C (Notes 2, 7)	E2			
ATEX Type „N“ Group II Category 3 G Ex nL IIC T6 and Group II Category 3 D Ex tD A22 IP67 T85 °C	E3			
Combined ATEX - Intrinsic Safety, Explosion Proof and Type „N“ (Notes 7, 8)	EW			
Combined ATEX, FM Approvals (USA) and FM Approvals (Canada) (Notes 7, 8)	EN			
FM Approvals (Canada) approval (Notes 7, 8)	E4			
FM Approvals (USA) approval (Notes 7, 8)	E6			
FM Approvals (USA and Canada) Intrinsic Safety	EA			
FM Approvals (USA and Canada) Explosion Proof (Notes 2, 7)	EB			
FM Approvals (USA and Canada) Nonincendive	EC			
IEC Intrinsic Safety II 1 G and II 1/2 G Ex ia IIC T6; II 1 D Ex iaD 20 T 95 °C and II 1/2D Ex iaD 21 T95 °C;	E8			
IEC Explosion Proof Group II Category 1/2 G Ex d IIC T6 and Group II Category 1/2 D Ex tD A21 IP67 T85 °C (Notes 2, 7)	E9			
IEC Group II Category 3 G Ex nL IIC T6 and Group II Category 3 D Ex tD A22 IP67 T85 °C	ER			
Other hazardous area certifications				
GOST (Russia) EEx ia	W1			
GOST (Russia) EEx d (Notes 2, 7)	W2			
GOST (Kazakhstan) EEx ia	W3			
GOST (Kazakhstan) EEx d (Notes 2, 7)	W4			
Inmetro (Brazil) EEx ia	W5			
Inmetro (Brazil) EEx d (Notes 2, 7)	W6			
Inmetro (Brazil) EEx nL	W7			
Integral LCD				
Digital LCD integral display	L1			
TTG (Through-The-Glass) digital LCD controlled display	L5			
Mounting bracket (shape and material)				
For pipe/wall mounting - Carbon steel (Not suitable for AISI housing)				B1
For pipe/wall mounting - AISI 316 L ss				B2
Surge				
Surge/Transient Protector				S2

266GRH Gauge

266ARH Absolute

ADDITIONAL ORDERING INFORMATION for model 266ARH	XX	XX	XX	XX	XX
Operating manual (up to 2 different selections allowed)					
German	M1				
Italian	M2				
Spanish	M3				
French	M4				
English	M5				
Chinese	M6				
Plates language					
German		T1			
Italian		T2			
Spanish		T3			
French		T4			
Additional tag plate					
Supplemental wired-on stainless steel plate				I1	
Laser printing of tag on stainless steel plate				I2	
Configuration					
Standard – Pressure = inH2O/ psi at 68 °F; Temperature = deg. F					N2
Standard – Pressure = inH2O/ psi at 39.2 °F; Temperature = deg. F					N3
Standard – Pressure = inH2O/ psi at 20 °C; Temperature = deg. C					N4
Standard – Pressure = inH2O/ psi at 4 °C; Temperature = deg. C					N5
Custom					N6
Certificates (up to 2 different selections allowed)					
Inspection certificate EN 10204–3.1 of calibration (9-point)					C1
Inspection certificate EN 10204–3.1 of the cleanliness stage					C3
Inspection certificate EN 10204–3.1 of helium leakage test of the sensor module					C4
Inspection certificate EN 10204–3.1 of the pressure test					C5
Certificate of compliance with the order EN 10204–2.1 of instrument design					C6
Overfill protection					C9
Printed record of configured data of transmitter					CG
PMI test of wetted parts					CT

ADDITIONAL ORDERING INFORMATION FOR MODEL 266ARH		XX	XX	XX	XX
Approvals					
GOST (Russia) without Ex		Y1			
GOST (Kazakhstan) without Ex		Y2			
GOST (Ukraine) without Ex		Y3			
GOST (Belarus) without Ex		Y4			
DNV approval			YA		
Lloyd approval			YB		
Approval for Custody transfer			YC		
Bureau Veritas approval			YD		
Material traceability					
Certificate of compliance with the order EN 10204–2.1 of process wetted parts					H1
Inspection certificate EN 10204–3.1 of process wetted parts					H3
Test report EN 10204–2.2 of pressure bearing and process wetted parts					H4
Connector					
Fieldbus 7/8 in. (Recommended for FOUNDATION Fieldbus) - (supplied loose without mating female plug)		(Notes 6, 9)			U1
Fieldbus M12x1 (Recommended for PROFIBUS PA) - (supplied loose without mating female plug)		(Notes 6, 9)			U2
Harting Han 8D – straight entry - (supplied loose)		(Notes 5, 9)			U3
Harting Han 8D – angle entry - (supplied loose)		(Notes 5, 9)			U4

- Note 1: Suitable for oxygen service
- Note 2: Not available with Sensor F
- Note 3: Not available with Sensor L, D, U
- Note 4: Select type in additional ordering code
- Note 5: Not available with Housing code G, Z, W
- Note 6: Not available with Housing code E, K
- Note 7: Not available with Housing code J, K, W
- Note 8: Not Ex d for sensor code F
- Note 9: Not available with Housing code, A, B, S, T, J

Standard delivery items (can be differently specified by additional ordering code)

- General purpose (no electrical certification)
- No display, no mounting bracket, no surge protection
- English manual and labels
- Configuration with kPa and deg. C units
- No test, inspection or material traceability certificates

THE SELECTION OF SUITABLE WETTED PARTS AND FILLING FLUID FOR COMPATIBILITY WITH THE PROCESS MEDIA IS A CUSTOMER’S RESPONSIBILITY, IF NOT OTHERWISE NOTIFIED BEFORE MANUFACTURING.

NACE CONFORMITY IS ACCORDING TO RECOMMENDATIONS PER MR0175 / ISO 15156.

AISI 316, AISI 316 L, HASTELLOY C-276 AND MONEL ALSO COMPLY WITH MR0103 IF ALREADY WITH MR0175.

Contact us

ABB Ltd.

Process Automation

Howard Road
St. Neots
Cambridgeshire PE19 8EU
UK
Tel: +44 (0)1480 475321
Fax: +44 (0)1480 217948

ABB Inc.

Process Automation

125 E. County Line Road
Warminster
PA 18974
USA
Tel: +1 215 674 6000
Fax: +1 215 674 7183

ABB Automation Products GmbH

Process Automation

Schillerstr. 72
32425 Minden
Germany
Tel: +49 551 905 534
Fax: +49 551 905 555

ABB S.p.A.

Process Automation

Via Statale 113
22016 Lenno (CO)
Italy
Tel: +39 0344 58111
Fax: +39 0344 56278

www.abb.com

Note

We reserve the right to make technical changes or modify the contents of this document without prior notice. With regard to purchase orders, the agreed particulars shall prevail. ABB does not accept any responsibility whatsoever for potential errors or possible lack of information in this document.

We reserve all rights in this document and in the subject matter and illustrations contained therein. Any reproduction, disclosure to third parties or utilization of its contents - in whole or in parts - is forbidden without prior written consent of ABB.

Copyright© 2010 ABB
All rights reserved

3KXP200018R1001

™ Hastelloy C-276 is a Cabot Corporation trademark

™ Hastelloy C-2000 is an Haynes International trademark

™ DC200 is a Dow Corning Corporation trademark

™ DC704 is a Dow Corning Corporation trademark

™ Galden is a Montefluos trademark

™ Halocarbon is a Halocarbon Products Co. trademark

™ Baysilone is a GE Bayer trademark

™ Neobee M-20 is a Stepan Company trademark

™ Esso Marcol 122 is a Esso Italiana trademark

™ Syltherm is a Dow Chemical Company trademark