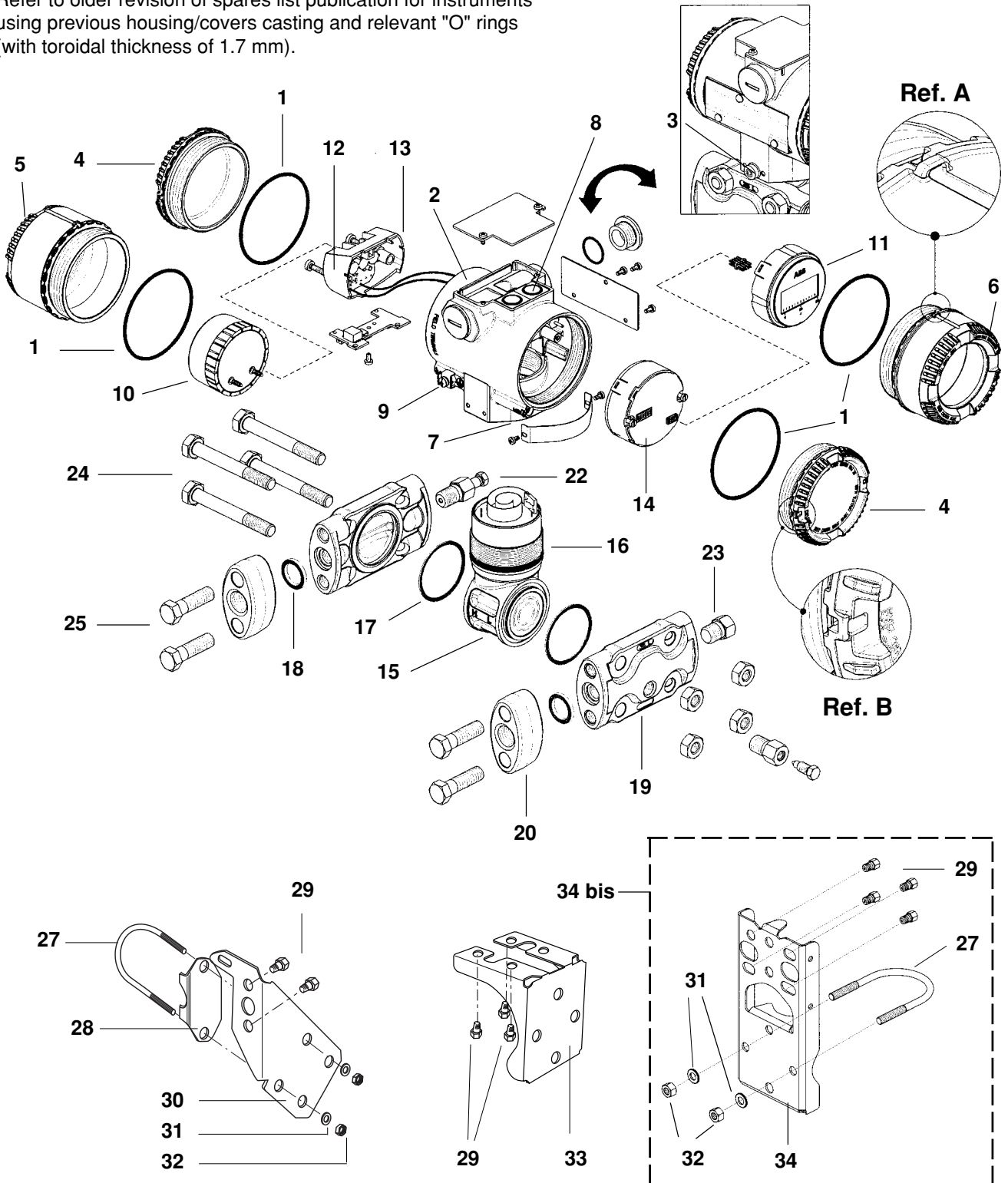
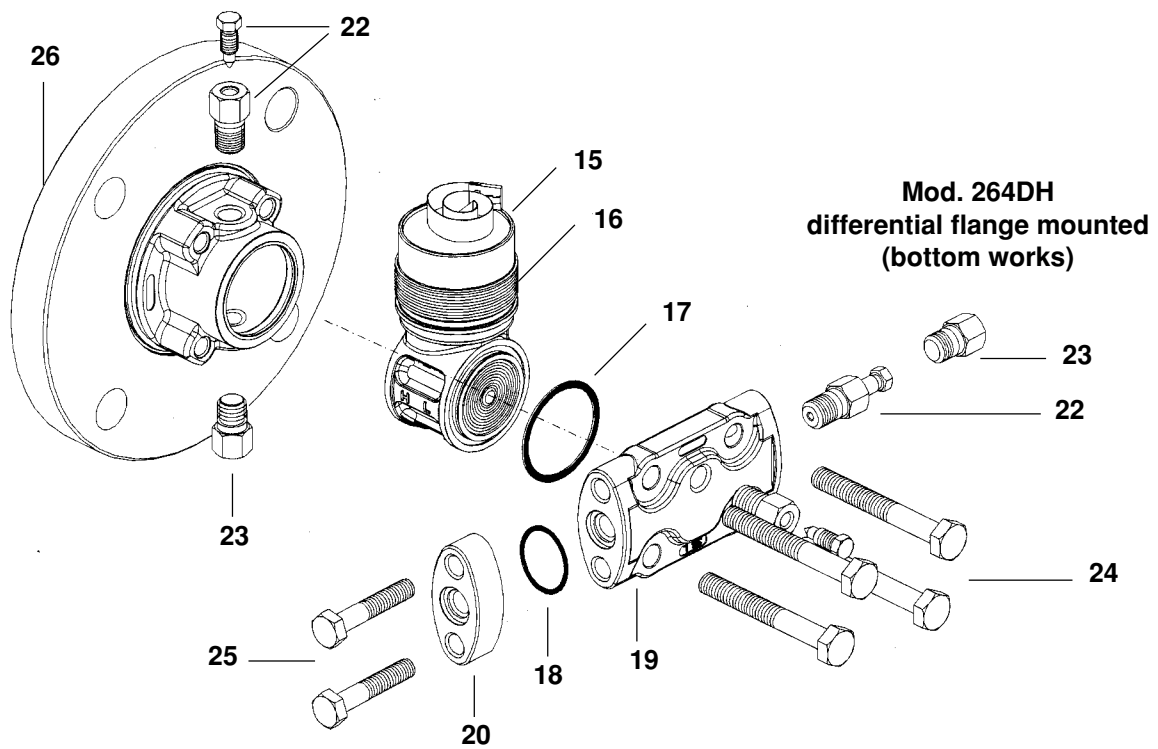
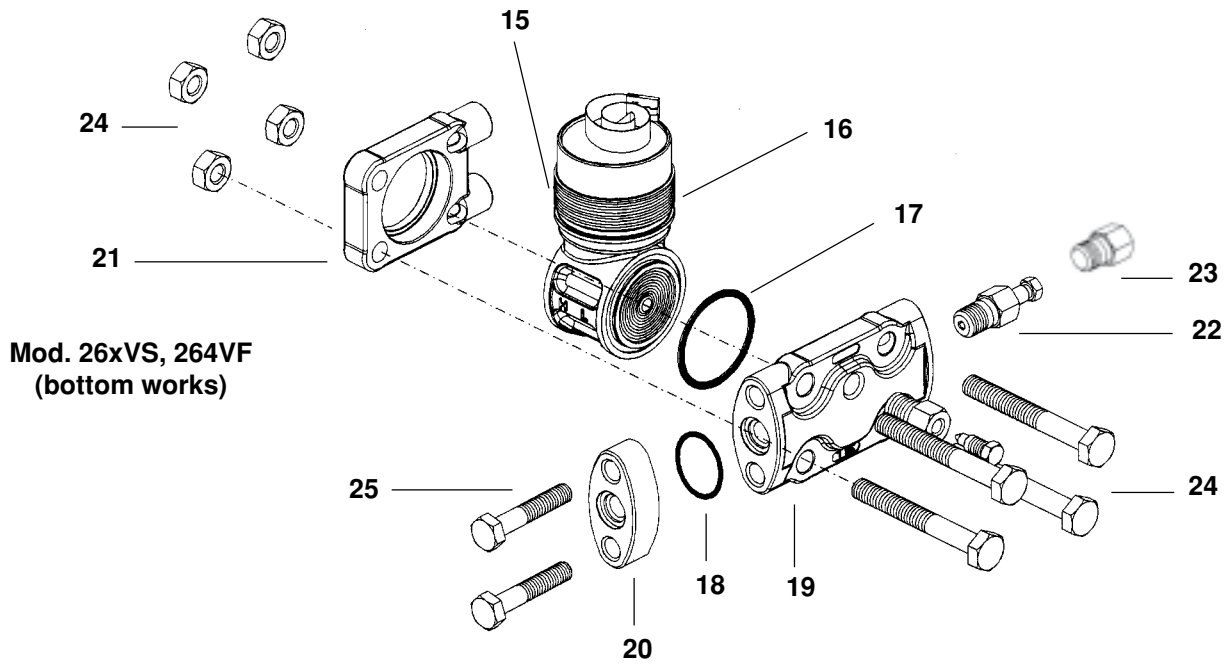


Spares List

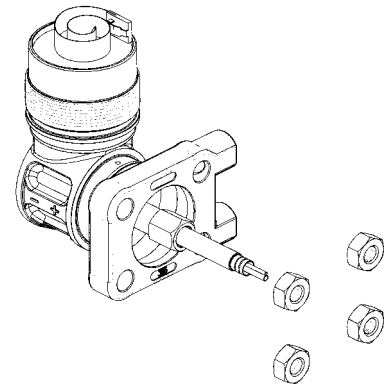
2600T Series Electronic Transmitters Models 264_268DS/VS/PS/DC/DD, 264_268DR/PR/VR, 264DG 264DF/VF/PF, 264BS, 264DH/DL

This spare list publication applies for transmitters manufactured from november 2005, using the new housing and covers. Instruments with this new parts can be identified by the covers detail on the casting (enlarged ref. A and B) which allows the passage of a wire to seal with lead the covers/housing (i.e. for fiscal purpose). New compatible "O" rings for covers have a toroidal thickness of 2.6 mm. The new housing/covers/"O" rings ARE NOT INTERCHANGEABLE with previous version. Refer to older revision of spares list publication for instruments using previous housing/covers casting and relevant "O" rings (with toroidal thickness of 1.7 mm).

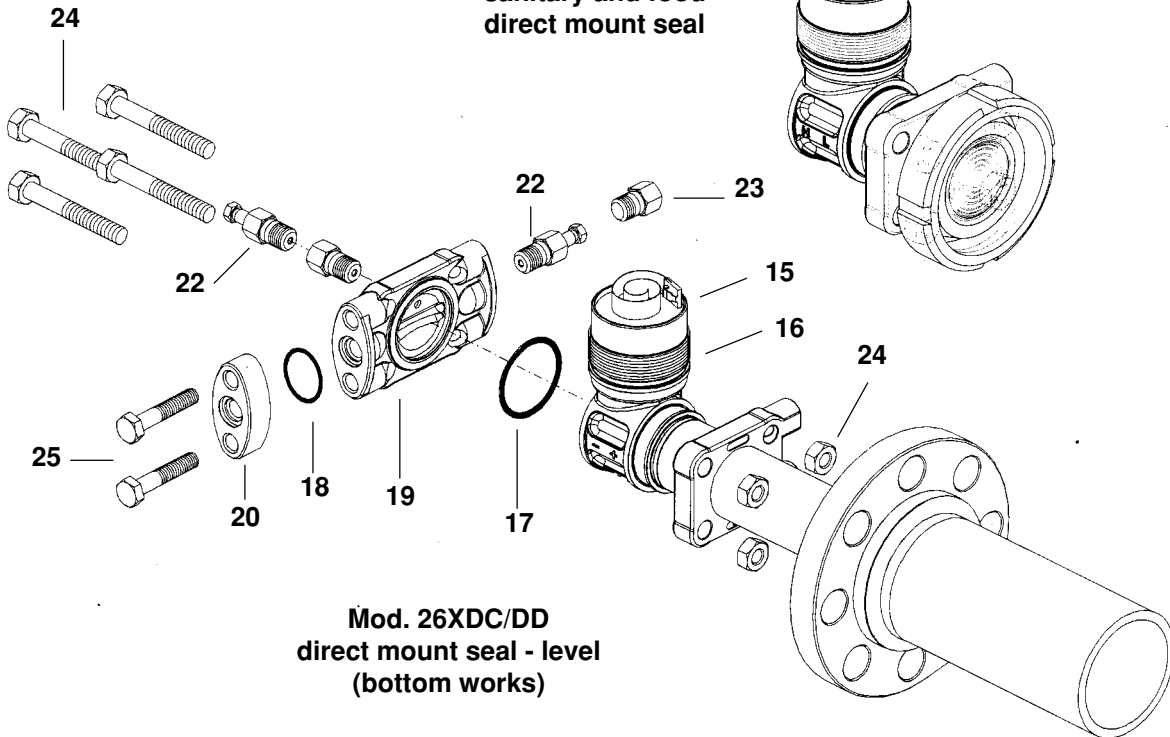




**Mod. 26xDR/PR/VR
with remote seal**



**Mod. 264DG
sanitary and food
direct mount seal**



**Mod. 26XDC/DD
direct mount seal - level
(bottom works)**

NOTE: Refer to front page for top works item identification which are the same for all models.

Item no.	Description	Part N°	Q.ty per Tx
1	Package of 2 "O" rings for covers (Category B)	DR0255	1
2	Barrel housing in aluminium, HART and 4 to 20 mA versions (with items 3, 7, 8, 9 and 12)		1
	- 1/2 - 14NPT	AR2434	
	- M20	AR2435	
	- Pg 13.5	AR2436	
	- 1/2 GK	AR2437	
	Barrel housing in AISI 316L ss, HART and 4 to 20 mA versions (with items 3, 7, 8, 9 and 12)		1
	- 1/2 - 14NPT	AR2438	
	- M20	AR2439	
	- Pg 13.5	AR2440	
	- 1/2 GK	AR2441	
	DIN housing in aluminium, HART and 4 to 20 mA versions (with items 3, 7, 8, 9 and 12)		1
	- Pg 13.5	AR2442	
	- M20	AR2443	
	Barrel housing in aluminium copper-free, HART version (with items 3, 7, 8, 9 and 12)		1
	- 1/2 - 14NPT	AR2444	
	- M20	AR2445	
	- Pg 13.5	AR2446	
	- 1/2 GK	AR2447	
	Barrel housing in aluminium, Profibus and FF versions (with items 3, 7, 8, 9 and 12)		1
	- 1/2 - 14NPT	AR2448	
	- M20	AR2449	
	- Pg 13.5	AR2450	
	- 1/2 GK	AR2451	
	Barrel housing in AISI 316L ss, Profibus and FF versions (with items 3, 7, 8, 9 and 12)		1
	- 1/2 - 14NPT	AR2452	
	- M20	AR2453	
	- Pg 13.5	AR2454	
	- 1/2 GK	AR2455	
	DIN housing in aluminium, Profibus and FF versions (with items 3, 7, 8, 9 and 12)		1
	- Pg 13.5	AR2456	
	- M20	AR2457	
	Barrel housing in aluminium copper-free, Profibus/FF versions (with items 3, 7, 8, 9,12)		1
	- 1/2 - 14NPT	AR2458	
	- M20	AR2459	
	- Pg 13.5	AR2460	
	- 1/2 GK	AR2461	
3-7	Kit: locking screws for covers and tang	DR0165	1
4	Blind cover:		1-2
	- Aluminium	PC3011	
	- AISI 316 L ss	PC3015	
	- Aluminium copper-free	PC3013	
	- Aluminium Safety version	PC3012	
	- Aluminium copper-free Safety version	PC3014	
	- AISI 316L ss Safety version	PC3016	
5	Windowed cover for LCD or analog output indicator:		1
	- Aluminium	AC3020	
	- AISI 316 L ss	AC3024	
	- Aluminium copper-free	AC3022	
	- Aluminium Safety version	AC3021	
	- Aluminium copper-free Safety version	AC3023	
	- AISI 316L ss Safety version	AC3025	
6	Windowed cover for integral display:		1
	- Aluminium	AC3017	
	- AISI 316 L ss	AC3019	
	- Aluminium copper-free	AC3018	
8	Kit push button (zero and span)	DR0166	1
9	Kit: external earth connection assembly	DR0022	1
10	Output indicator:		1
	- analog 0-100% linear scale	EL0001	
	- analog 0-10 square root scale	EL0002	
	- ProMeter LCD digital (General purpose)	DR0206	
	- ProMeter LCD digital (EEx ia)	DR0207	
	- programmable signal meter and HART configurator CoMeter (general purpose)	DR0142	
	- programmable signal meter and HART configurator CoMeter (Intrinsic Safety EEx ia)	DR0145	

Item no.	Description	Part N°	Q.ty per Tx
10-1-5	Output indicator kit complete of windowed aluminium cover and "O" ring		1
	- analog 0-100% linear scale	DR0256	
	- analog 0-10 square root scale	DR0257	
	- ProMeter LCD digital (General purpose)	DR0258	
	- ProMeter LCD digital (Intrinsic Safety EEx ia)	DR0259	
	- programmable signal meter and HART configurator CoMeter (general purpose)	DR0261	
	- programmable signal meter and HART configurator CoMeter (Intrinsic Safety EEx ia)	DR0262	
	Output indicator kit complete of windowed aluminium cover Safety version and "O" ring		1
	- analog 0-100% linear scale	DR0264	
	- analog 0-10 square root scale	DR0265	
	- ProMeter LCD digital (General purpose)	DR0266	
	- ProMeter LCD digital (Intrinsic Safety EEx ia)	DR0267	
	- programmable signal meter and HART configurator CoMeter (general purpose)	DR0269	
	- programmable signal meter and HART configurator CoMeter (Intrinsic Safety EEx ia)	DR0270	
	Output indicator kit complete of windowed AISI cover and "O" ring		1
	- analog 0-100% linear scale	DR0272	
	- analog 0-10 square root scale	DR0273	
	- ProMeter LCD digital (General purpose)	DR0274	
	- ProMeter LCD digital (Intrinsic Safety EEx ia)	DR0275	
	- programmable signal meter and HART configurator CoMeter (general purpose)	DR0277	
	- programmable signal meter and HART configurator CoMeter (Intrinsic Safety EEx ia)	DR0278	
	Output indicator kit complete of windowed aluminium copper-free cover and "O" ring		1
	- analog 0-100% linear scale	DR0280	
	- analog 0-10 square root scale	DR0281	
	- ProMeter LCD digital (General purpose)	DR0282	
	- ProMeter LCD digital (Intrinsic Safety EEx ia)	DR0283	
	- programmable signal meter and HART configurator CoMeter (general purpose)	DR0285	
	- programmable signal meter and HART configurator CoMeter (Intrinsic Safety EEx ia)	DR0286	
	Output indicator kit complete of windowed aluminium copper-free cover Safety version and "O" ring		1
	- analog 0-100% linear scale	DR0288	
	- analog 0-10 square root scale	DR0289	
	- ProMeter LCD digital (General purpose)	DR0290	
	- ProMeter LCD digital (Intrinsic Safety EEx ia)	DR0291	
	- programmable signal meter and HART configurator CoMeter (general purpose)	DR0293	
	- programmable signal meter and HART configurator CoMeter (Intrinsic Safety EEx ia)	DR0294	
	Output indicator kit complete of windowed AISI cover Safety version and "O" ring		1
	- analog 0-100% linear scale	DR0296	
	- analog 0-10 square root scale	DR0297	
	- ProMeter LCD digital (General purpose)	DR0298	
	- ProMeter LCD digital (Intrinsic Safety EEx ia)	DR0299	
	- programmable signal meter and HART configurator CoMeter (general purpose)	DR0301	
	- programmable signal meter and HART configurator CoMeter (Intrinsic Safety EEx ia)	DR0302	
11	Integral display (LCD digital µP driven) with connector	DR0246	1
11-1-6	Integral display kit with windowed aluminium cover and "O" ring	DR0304	1
	Integral display kit with windowed AISI cover and "O" ring	DR0305	1
	Integral display kit with windowed aluminium copper-free cover and "O" ring	DR0306	1
12	Terminal block assembly for models 264Dx/Px/Vx (Category A)	AR0326	1
	Terminal block assembly for models 264BS (Category A)	AR2425	1
	Terminal block assembly (Profibus and FF versions) (Category A)	AR2405	1
12-13	Kit: terminal block complete of surge protector	AR0328	1
14	Secondary electronics module: (Category B)		1
	- HART	AU3009	
	- Fieldbus (Rev. 2)	AU3027	
	- Profibus	AU0011	
	- HART NEW Safety SIL2 (Rev.2)	AU3050	
15	Transducer assembly (see relevant Spare Parts Code List) (Category B)	--	1
	(includes item 16)		
16	"O" ring	2000.9460	1
17	Package of 2 "O" ring for process flange (Category B)		1
	- Viton (except for model 264BS)	DR0167	
	- PTFE (except for model 264BS)	DR0168	
	- Buna (only for mod. 264BS)	DR0222	
	- EPDM (only for mod. 264BS)	DR0223	
	- Viton (only for mod. 264BS)	DR0224	
	- PTFE (only for mod. 264BS)	DR0225	
18	Package of 2 "O" ring for flange adapter (Category B)		1
	- Viton	DR0015	
	- PTFE	DR0033	

Item no.	Description	Model	AISI 316L ss	Hastelloy C	Monel 400	Q.ty
19	Process flange (horizontal connection) with 1/4-18NPT connection and fittings for valve on side and plug on axis	26xDS, 264DF	PN0461	PN0463	PN0465	2
		26xPS/VS, DC/DD, xR 264PF/VF, DH, DG	PN0461	PN0463	PN0465	1
		264BS	PN0611	PN0612	PN0613	2
	Process flange (horizontal connection) with 1/4-18NPT connection and fitting for valve on axis	26xDS, 264DF	PN0460	PN0462	PN0464	2
		26xPS/VS, DC/DD, xR 264PF/VF, DH, DG	PN0460	PN0462	PN0464	1
		264BS	736595	736499	736500	2
	Process flange (vertical connection) with 1/4-18NPT connection without fittings for valve on side and plug on axis	26xDS/PS/VS 264DF/PF/VF	PN0620	PN0621	PN0622	2
	Process flange (vertical connection) with 1/4-18NPT connection with fitting on top for valve on side	26xDS, 264DF	PN0626	PN0628	PN0630	2
		26xPS/VS 264PF/VF	PN0626	PN0628	PN0630	1
	Process flange (vertical connection) with 1/4-18NPT connection with fitting on bottom for valve on side	26xDS, 264DF	PN0627	PN0629	PN0631	2
26xPS/VS 264PF/VF		PN0627	PN0629	PN0631	1	
20	Flange adapter (for item 19)	All	PN0060	PN0066	PN0072	1+2
21	Blind flange (horizontal connection)	26xVS, 264VF 26xDC/DD	PN0466	--	--	1
		26xPS, 264PF	DR0169	--	--	1
	Blind flange (vertical connection)	26xVS, 264VF	PN0625	--	--	1
		26xPS, 264PF	DR0242	--	--	1
22	Kit: drain/vent valve (seat and stem) (Category A)	All	DR0018	DR0020	DR0021	1+2
23	Plug	All	PN0154	PN0155	PN0156	1+2

Item no.	Description	Model	AISI 316ss	AISI 316ss NACE	Alloy Steel	Q.ty
24	Kit: bolts and nuts for process flanges	All	DR0007	DR0103	DR0307	1
		264BS	--	DR0221	--	1
25	Kit: bolts for flange adapter	All	DR0013	DR0106	DR0308	1+2

Item no.	Description	Model	ANSI 150 R.F.	ANSI 300 R.F.	DIN ND 16	DIN ND 40	Q.ty
26	Mounting flange: - 2in (ASME) / DN50 (DIN) - 3in (ASME) / DN80 (DIN)	264DH	AR0331	AR0334	AR0333	AR0333	1
			AR0332	AR0335	AR0336	AR0337	1

Note: Kits contain parts for one transmitter

Recommended spares: one part of category "A" for every 25 transmitters: one part of category "B" for every 50 transmitters.

Item no.	Description	Model	Part No.	Q.ty per Tx
27	U-bolt (AISI 400 ss)	26xDS/PS/VS/xR, 264BS, 264DF/PF/VF	AB515.01021	1
28	Fitting plate - Carbon steel - AISI 316 L ss		PN0074 PN0124	1 1
29	Bolts for transmitter fixing - Carbon steel - AISI 316 ss		3102.0527 PN0181	2÷4 2÷4
30	Bracket (angle) for pipe mounting - Carbon steel - AISI 316 L ss		PN0077 PN0116	1 1
31	Washer - Carbon steel - AISI 316 ss		2023.1510 2021.1538	2 2
32	Nut - Carbon steel - AISI 316 ss		2010.1211 2010.1238	2 2
33	Bracket for wall mounting - Carbon steel - AISI 316 L ss		PN0210 PN0211	1 1
27 to 32	Bracket kit for pipe mounting - Carbon steel - AISI ss		DR0058 DR0059	1 1
29-33	Bracket kit for wall mounting - Carbon steel - AISI ss		DR0061 DR0062	1 1
34	AISI ss Bracket flat type for box		AB515.04180	1
34bis	AISI ss Bracket kit flat type for box		DR0085	1

Spare Parts Code List

2600T Series Electronic Transmitters Transducer Assembly for pressure Tx's Mod. T264DS differential Mod. T264PS gauge Mod. T264VS absolute Mod. T264BS differential (high static)

			Code			
MEASUREMENT						
Differential			T264DS			
Differential Gauge				T264PS		
Differential Absolute					T264VS	
Differential (high static)						T264BS
SPAN LIMITS						
0.14 and 4 kPa	1.4 and 40 mbar	0.56 and 16 inH2O	B	B		
0.27 and 16 kPa	2.7 and 160 mbar	1.08 and 64 inH2O	E	E		
0.4 and 40 kPa	4 and 400 mbar	1.6 and 160 inH2O	F	F		
0.65 and 65 kPa	6.5 and 650 mbar	2.6 and 260 inH2O	G	G		
1.6 and 160 kPa	16 and 1600 mbar	6.4 and 642 inH2O	H	H		
6 and 600 kPa	0.06 and 6 bar	0.87 and 87 psi	M	M		
24 and 2400 kPa	0.24 and 24 bar	3.5 and 348 psi	P	P		
80 and 8000 kPa	0.8 and 80 bar	11.6 and 1160 psi	Q	Q		
160 and 16000 kPa	1.6 and 160 bar	23.2 and 2320 psi	S	S		
0.2 and 6 kPa	2 and 60 mbar	0.8 and 24 inH2O				C
0.4 and 40 kPa	4 and 400 mbar	1.6 and 160 inH2O				F
2.5 and 250 kPa	25 and 2500 mbar	10 and 1000 inH2O				L
20 and 2000 kPa	0.2 and 20 bar	2.9 and 290 psi				N
0.27 and 16 kPa	2.7 and 160 mbar	2 and 120 mmHg			E	
0.67 and 40 kPa	6.7 and 400 mbar	5 and 300 mmHg			F	
1.1 and 65 kPa	11 and 650 mbar	8 and 480 mmHg			G	
2.67 and 160 kPa	26.7 and 1600 mbar	20 and 1200 mmHg			H	
10 and 600 kPa	0.1 and 6 bar	1.45 and 87 psi			M	
40 and 2400 kPa	0.4 and 24 bar	5.8 and 348 psi			P	
134 and 8000 kPa	1.34 and 80 bar	19.4 and 1160 psi			Q	
267 and 16000 kPa	2.67 and 160 bar	38.7 and 2320 psi			S	
Use code			S	S	S	
Diaphragm material						
Fill fluid						
AISI 316 L ss	Silicone oil (Note 2)		S	S	S	S
Hastelloy C276 (AISI seat)	Silicone oil		H	H	H	
Hastelloy C276	Silicone oil		K	K	K	K
Monel 400	Silicone oil (Note 2)		M	M		M
AISI 316 L ss gold plated	Silicone oil (Note 2)		8	8		
Tantalum	Silicone oil (Note 2)		T	T		
AISI 316 L ss	Inert fluid - Galden (Notes 1, 2, 3, 4)		A	A	A	A
Hastelloy C276 (AISI seat)	Inert fluid - Galden (Notes 1, 2, 3)		B	B	B	
Hastelloy C276	Inert fluid - Galden (Notes 1, 2, 3, 4)		F	F	F	F
Monel 400	Inert fluid - Galden (Notes 1, 2)		C	C		
AISI 316 L ss gold plated	Inert fluid - Galden (Notes 1, 2)		9	9		
Tantalum	Inert fluid - Galden (Notes 1, 2, 4)		D	D		D
AISI 316 L ss	Inert fluid - Halocarbon (Notes 1, 2, 3)		L	L	L	
Hastelloy C276 (AISI seat)	Inert fluid - Halocarbon (Notes 1, 2, 3)		Q	Q	Q	
Hastelloy C276	Inert fluid - Halocarbon (Notes 1, 2, 3)		P	P	P	
Monel 400	Inert fluid - Halocarbon (Notes 1, 2)		4	4		
AISI 316 L ss gold plated	Inert fluid - Halocarbon (Notes 1, 2)		I	I		
Tantalum	Inert fluid - Halocarbon (Notes 1, 2)		5	5		

Note 1: Suitable for oxygen service
 Note 2: Not available with sensor code B (T264DS/PS only)
 Note 3: Not available with sensor code E (T264VS only)
 Note 4: Carbon fluoride for T264BS

Hastelloy is a Cabot Corporation trademark
 Monel is an International Nickel Co. trademark
 Galden is a Montefluos trademark
 Halocarbon is a Halocarbon Products Co. trademark

Spare Parts Code List

2600T Series Electronic Transmitters Transducer Assembly for Safety pressure transmitters Mod. T268DS differential Mod. T268PS gauge Mod. T268VS absolute

			Code		
MEASUREMENT					
Safety Differential			T268DS		
Safety Differential Gauge				T268PS	
Safety Differential Absolute					T268VS
SPAN LIMITS					
0.14 and 4 kPa	1.4 and 40 mbar	0.56 and 16 inH2O	B	B	
0.27 and 16 kPa	2.7 and 160 mbar	1.08 and 64 inH2O	E	E	
0.4 and 40 kPa	4 and 400 mbar	1.6 and 160 inH2O	F	F	
0.65 and 65 kPa	6.5 and 650 mbar	2.6 and 260 inH2O	G	G	
1.6 and 160 kPa	16 and 1600 mbar	6.4 and 642 inH2O	H	H	
6 and 600 kPa	0.06 and 6 bar	0.87 and 87 psi	M	M	
24 and 2400 kPa	0.24 and 24 bar	3.5 and 348 psi	P	P	
80 and 8000 kPa	0.8 and 80 bar	11.6 and 1160 psi	Q	Q	
160 and 16000 kPa	1.6 and 160 bar	23.2 and 2320 psi	S	S	
0.27 and 16 kPa	2.7 and 160 mbar	2 and 120 mmHg			E
0.67 and 40 kPa	6.7 and 400 mbar	5 and 300 mmHg			F
1.1 and 65 kPa	11 and 650 mbar	8 and 480 mmHg			G
2.67 and 160 kPa	26.7 and 1600 mbar	20 and 1200 mmHg			H
10 and 600 kPa	0.1 and 6 bar	1.45 and 87 psi			M
40 and 2400 kPa	0.4 and 24 bar	5.8 and 348 psi			P
134 and 8000 kPa	1.34 and 80 bar	19.4 and 1160 psi			Q
267 and 16000 kPa	2.67 and 160 bar	38.7 and 2320 psi			S
Use code					
			S	S	S
Diaphragm material	Fill fluid				
AISI 316 L ss	Silicone oil (Note 2)		S	S	S
Hastelloy C276 (AISI seat)	Silicone oil		H	H	H
Hastelloy C276	Silicone oil		K	K	K
Monel 400	Silicone oil (Note 2)		M	M	
AISI 316 L ss gold plated	Silicone oil (Note 2)		8	8	
Tantalum	Silicone oil (Note 2)		T	T	
AISI 316 L ss	Inert fluid - Galden (Notes 1, 2, 3)		A	A	A
Hastelloy C276 (AISI seat)	Inert fluid - Galden (Notes 1, 2, 3)		B	B	B
Hastelloy C276	Inert fluid - Galden (Notes 1, 2, 3)		F	F	F
Monel 400	Inert fluid - Galden (Notes 1, 2)		C	C	
AISI 316 L ss gold plated	Inert fluid - Galden (Notes 1, 2)		9	9	
Tantalum	Inert fluid - Galden (Notes 1, 2)		D	D	
AISI 316 L ss	Inert fluid - Halocarbon (Notes 1, 2, 3)		L	L	L
Hastelloy C276 (AISI seat)	Inert fluid - Halocarbon (Notes 1, 2, 3)		Q	Q	Q
Hastelloy C276	Inert fluid - Halocarbon (Notes 1, 2, 3)		P	P	P
Monel 400	Inert fluid - Halocarbon (Notes 1, 2)		4	4	
AISI 316 L ss gold plated	Inert fluid - Halocarbon (Notes 1, 2)		I	I	
Tantalum	Inert fluid - Halocarbon (Notes 1, 2)		5	5	

Note 1: Suitable for oxygen service
 Note 2: Not available with sensor code B (T268DS/PS only)
 Note 3: Not available with sensor code E (T268VS only)

Hastelloy is a Cabot Corporation trademark
 Monel is an International Nickel Co. trademark
 Galden is a Montefluos trademark
 Halocarbon is a Halocarbon Products Co. trademark

Spare Parts Code List

2600T Series Electronic Transmitters Transducer Assembly for pressure transmitters (fast) Mod. T264DF differential Mod. T264PF gauge Mod. T264VF absolute

			Code		
MEASUREMENT					
Differential (fast)			T264DF		
Differential Gauge (fast)				T264PF	
Differential Absolute (fast)					T264VF
SPAN LIMITS					
0.14 and 4 kPa	1.4 and 40 mbar	0.56 and 16 inH2O	B	B	
0.27 and 16 kPa	2.7 and 160 mbar	1.08 and 64 inH2O	E	E	
0.4 and 40 kPa	4 and 400 mbar	1.6 and 160 inH2O	F	F	
0.65 and 65 kPa	6.5 and 650 mbar	2.6 and 260 inH2O	G	G	
1.6 and 160 kPa	16 and 1600 mbar	6.4 and 642 inH2O	H	H	
0.27 and 16 kPa	2.7 and 160 mbar	2 and 120 mmHg			E
0.67 and 40 kPa	6.7 and 400 mbar	5 and 300 mmHg			F
1.1 and 65 kPa	11 and 650 mbar	8 and 480 mmHg			G
2.67 and 160 kPa	26.7 and 1600 mbar	20 and 1200 mmHg			H
Use code			S	S	S
Diaphragm material	Fill fluid				
AISI 316 L ss	Silicone oil (Note 2)		S	S	S
Hastelloy C276 (AISI seat)	Silicone oil		H	H	H
Hastelloy C276	Silicone oil		K	K	K
Monel 400	Silicone oil (Note 2)		M	M	
Tantalum	Silicone oil (Note 2)		T	T	
AISI 316 L ss	Inert fluid - Galden (Notes 1, 2, 3)		A	A	A
Hastelloy C276 (AISI seat)	Inert fluid - Galden (Notes 1, 2, 3)		B	B	B
Hastelloy C276	Inert fluid - Galden (Notes 1, 2, 3)		F	F	F
Monel 400	Inert fluid - Galden (Notes 1, 2)		C	C	
Tantalum	Inert fluid - Galden (Notes 1, 2)		D	D	
AISI 316 L ss	Inert fluid - Halocarbon (Notes 1, 2, 3)		L	L	L
Hastelloy C276 (AISI seat)	Inert fluid - Halocarbon (Notes 1, 2, 3)		Q	Q	Q
Hastelloy C276	Inert fluid - Halocarbon (Notes 1, 2, 3)		P	P	P
Monel 400	Inert fluid - Halocarbon (Notes 1, 2)		4	4	
Tantalum	Inert fluid - Halocarbon (Notes 1, 2)		5	5	

Note 1: Suitable for oxygen service
 Note 2: Not available with sensor code B (T264DF/PF only)
 Note 3: Not available with sensor code E (T264VF only)

Hastelloy is a Cabot Corporation trademark
 Monel is an International Nickel Co. trademark
 Galden is a Montefluos trademark
 Halocarbon is a Halocarbon Products Co. trademark



The Company's policy is one of continuous product improvement and the right is reserved to modify the specifications contained herein without notice.
 (December 2008)

ABB Ltd
 Howard Road, St. Neots
 Cambridgeshire, PE19 8EU
 UK
 Tel: +44(0)1480 475321
 Fax: +44(0)1480 217948

ABB Inc.
 125 E. County Line Road
 Warminster, PA 18974
 USA
 Tel: +1 215 674 6000
 Fax: +1 215 674 7183

ABB SACE
 A division of ABB S.p.A.
 Via Statale 113
 22016 Lenno (CO) Italy
 Tel: +39 0344 58111
 Fax: +39 0344 56278