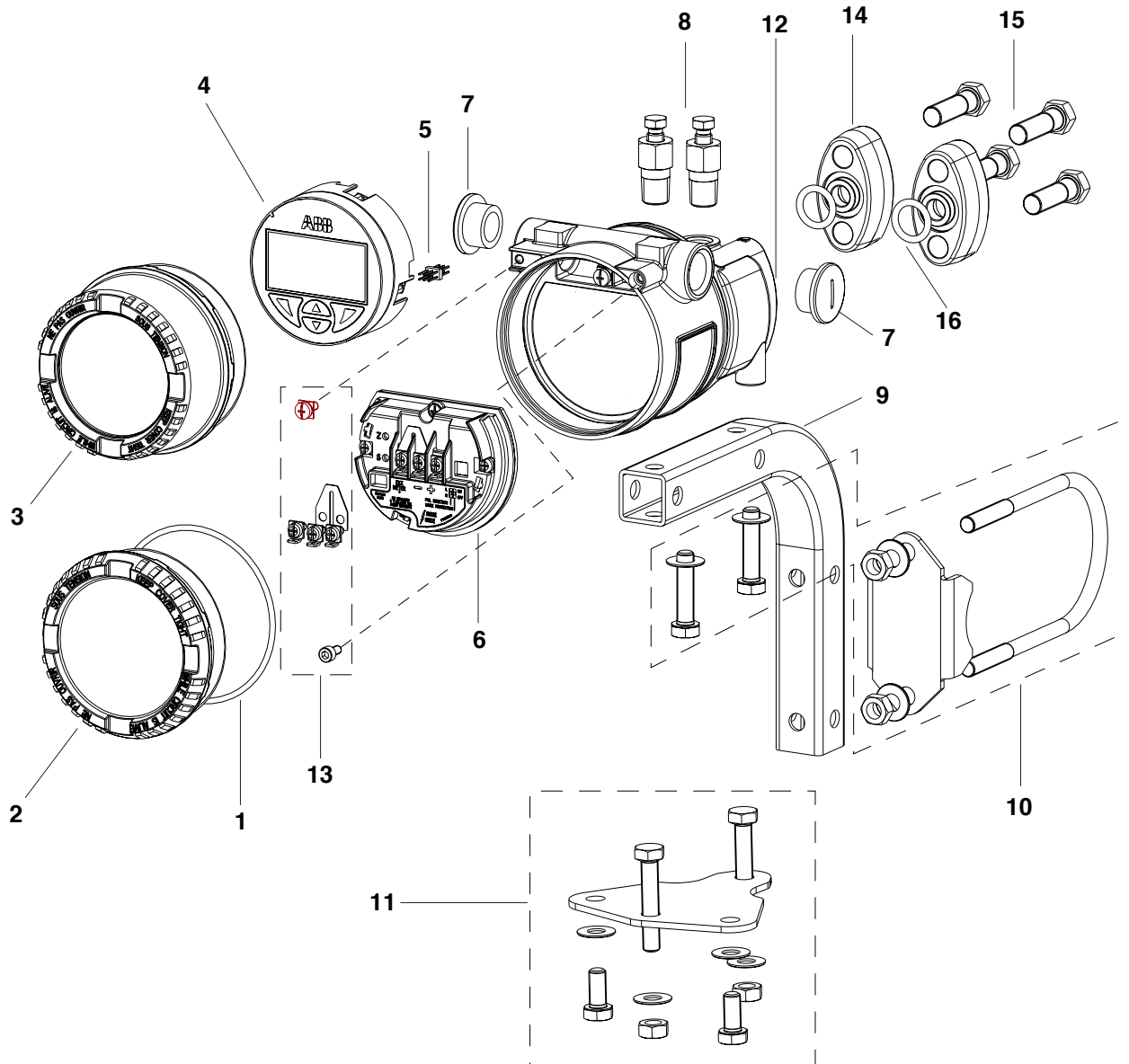


# Spares List

## 2600T Series Pressure Transmitters Model 364DS Differential Model 364PS Gauge



Item no.	Description	Part No.	Q.ty per Tx
1	"O" ring for cover	MR3018	1
2	Blind cover	PC3063	1
3	Windowed cover	AC3027	1
4	Display	AU3048	1
5	Connector for display	ET3011	1
4-5	Display with connector	DR0311	1
6	Electronics, terminal block and surge protector assembly	AU3041	1
7	Plug (blind) for electrical connection:		
	- 1/2" NPT plastic (for transit)	PN0330	1÷2
	- M20 x 1.5 (CM20) plastic (for transit)	PN0332	1÷2
	- 1/2" NPT stainless steel (no Ex d)	MV3013	1
	- M20 x 1.5 (CM20) stainless steel (no Ex d)	MV3012	1
	- 1/2" NPT stainless steel (Ex d)	MV3015	1
	- M20 x 1.5 (CM20) stainless steel (Ex d)	MV3014	1
8	Kit drain/vent valve - AISI 316L ss	DR0018	1
9	Bracket - AISI 304 ss	PN3017	1
	Bracket - AISI 316 L ss	PN3035	1
10	Kit for pipe mounting - AISI 304 ss	AV3003	1
	Kit for pipe mounting - AISI 316 L ss	AV3005	1
9-10	Bracket + kit for pipe mounting - AISI 304 ss	DR0309	1
	Bracket + kit for pipe mounting - AISI 316 L ss	DR0315	1
11	Kit for wall mounting - AISI 304 ss	AV3002	1
	Kit for wall mounting - AISI 316 L ss	AV3004	1
9-11	Bracket + kit for wall mounting - AISI 304 ss	DR0310	1
	Bracket + kit for wall mounting - AISI 316 L ss	DR0316	1
12	Filter for gauge 364PS	BV0039	1
13	Screws kit: earth, terminal block and cover locking	DR0312	1
14	Flange adapter - AISI 316L ss	PN0060	1÷2
15	Kit: bolts for flange adapter - AISI 316 ss NACE	DR0106	1÷2
16	Package of 2 PTFE "O" ring for flange adapter	DR0033	1



The Company's policy is one of continuous product improvement and the right is reserved to modify the specifications contained herein without notice.

**ABB Ltd**  
Howard Road, St. Neots  
Cambridgeshire, PE19 8EU  
UK  
Tel: +44(0)1480 475321  
Fax: +44(0)1480 217948

**ABB Inc.**  
125 E. County Line Road  
Warminster, PA 18974  
USA  
Tel: +1 215 674 6000  
Fax: +1 215 674 7183

**ABB SACE spa**  
Business Unit Instrumentation  
Via Statale 113  
22016 Lenno (CO) Italy  
Tel: +39 0344 58111  
Fax: +39 0344 56278