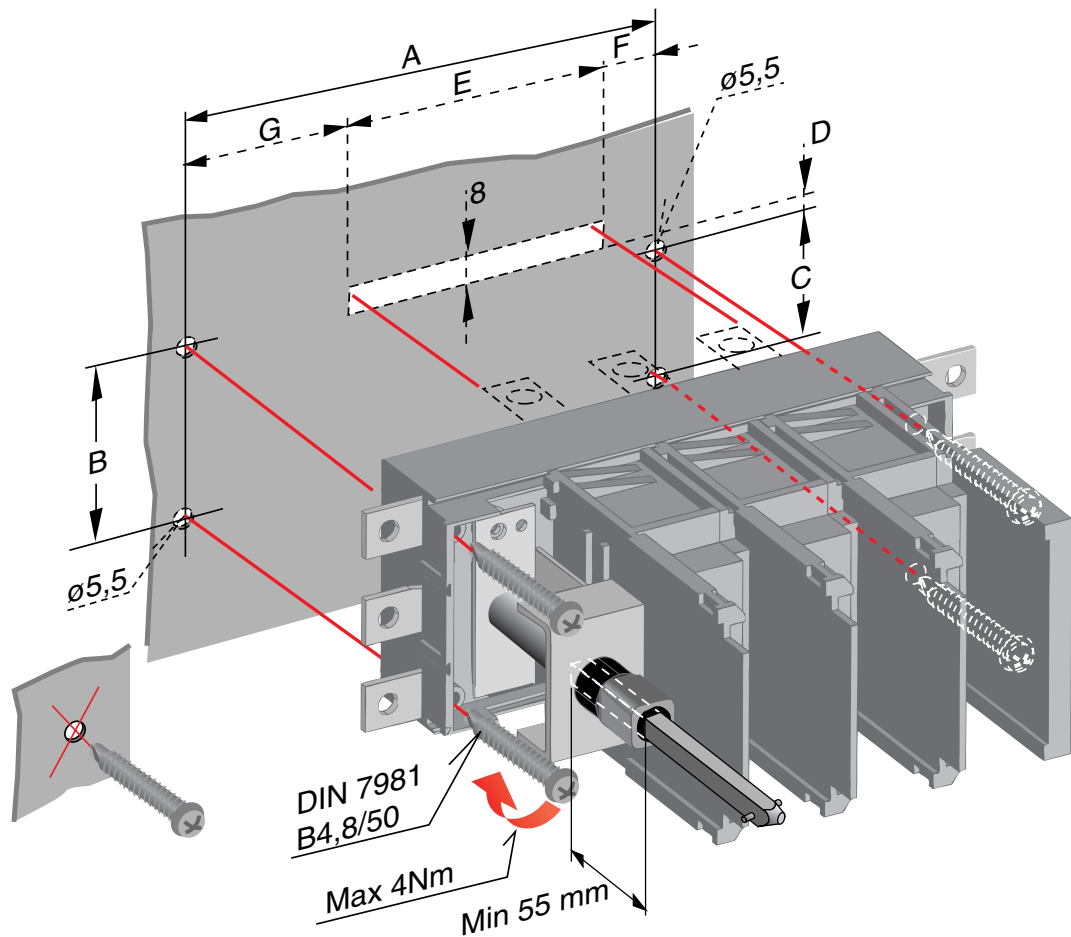


	A	B	C	D	E	F	G	H	J	IEC 269-2		
										DIN 43620	NFC	BS 88
OESA 100D03PD	199	70	60	5	28	15	10	166	164	00	22x58	
OESA 100D13PDN1	260	42	60	5	28	15	24	226	224	00	22x58	
OESA 100D13PDF1	260	42	60	5	28	15	24	226	224	00	22x58	
OESA 100D30PD	199	60	70	28	5	10	15	166	164	00	22x58	
OESA 100D31PDN2	260	60	42	28	5	24	15	226	224	00	22x58	
OESA 100D31PDF2	260	60	42	28	5	24	15	226	224	00	22x58	
OESA 100G03PD	199	70	60	5	28	15	10	166	164			A2-A4
OESA 100G13PDN1	260	42	60	5	28	15	24	226	224			A2-A4
OESA 100G30PD	199	60	70	28	5	10	15	166	164			A2-A4
OESA 100G31PDN2	260	60	42	28	5	24	15	226	224			A2-A4
OESA 160D03PD	199	70	60	5	28	15	10	166	164	00		
OESA 160D13PDN1	260	42	60	5	28	15	24	226	224	00		
OESA 160D13PDF1	260	42	60	5	28	15	24	226	224	00		
OESA 160D30PD	199	60	70	28	5	10	15	166	164	00		
OESA 160D31PDN2	260	60	42	28	5	24	15	226	224	00		
OESA 160D31PDF2	260	60	42	28	5	24	15	226	224	00		
OESA 160G03PD	199	70	60	5	28	15	10	166	164			B1-B2
OESA 160G13PDN1	260	42	60	5	28	15	24	226	224			B1-B2
OESA 160G30PD	199	60	70	28	5	10	15	166	164			B1-B2
OESA 160G31PDN2	260	60	42	28	5	24	15	226	224			B1-B2

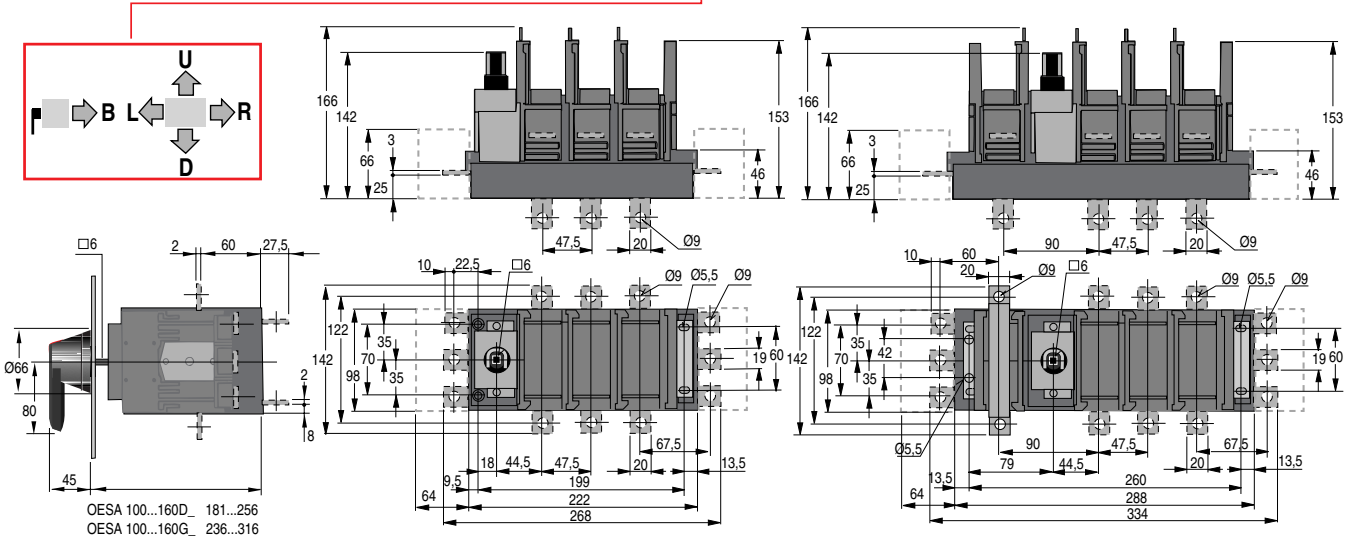




	A	B	C	D	E	F	G	IEC 269-2		
								DIN 43620	NFC	BS 88
OESA 100D03LR	199	70	60	5	128	25	45	00	22x58	
OESA 100D13LRN1	260	42	60	5	218	25	17	00	22x58	
OESA 100D13LRF1	260	42	60	5	218	25	17	00	22x58	
OESA 100D30LR	199	60	70	0	128	45	25	00	22x58	
OESA 100D31LRN2	260	60	42	14	218	17	25	00	22x58	
OESA 100D31LRF2	260	60	42	14	218	17	25	00	22x58	
OESA 100G03LR	199	70	60	5	128	25	45			A2-A4
OESA 100G13LRN1	260	42	60	5	218	25	17			A2-A4
OESA 100G30LR	199	60	70	0	128	45	25			A2-A4
OESA 100G31LRN2	260	60	42	14	218	17	25			A2-A4
OESA 160D03LR	199	70	60	5	128	25	45	00		
OESA 160D13LRN1	260	42	60	5	218	25	17	00		
OESA 160D13LRF1	260	42	60	5	218	25	17	00		
OESA 160D30LR	199	60	70	0	128	45	25	00		
OESA 160D31LRN2	260	60	42	0	218	17	25	00		
OESA 160D31LRF2	260	60	42	14	218	17	25	00		
OESA 160G03LR	199	70	60	5	128	25	45			B1-B2
OESA 160G13LRN1	260	42	60	5	218	25	17			B1-B2
OESA 160G30LR	199	60	70	0	128	45	25			B1-B2
OESA 160G31LRN2	260	60	42	14	218	17	25			B1-B2

OESA 100...160D03LR  
 OESA 100...160D03  
 OESA 100...160G03

OESA 100...160D13  N1  
 OESA 100...160G13  N1  
 OESA 100...160D13  F1



OESA 100...160D30LR  
 OESA 100...160D30  
 OESA 100...160G30

OESA 100...160D31  N2  
 OESA 100...160G31  N2  
 OESA 100...160D31  F2

