

SafeLine

VL 2235 6046

OEZXX 143R...158R

34 OEZXX 1R2 C

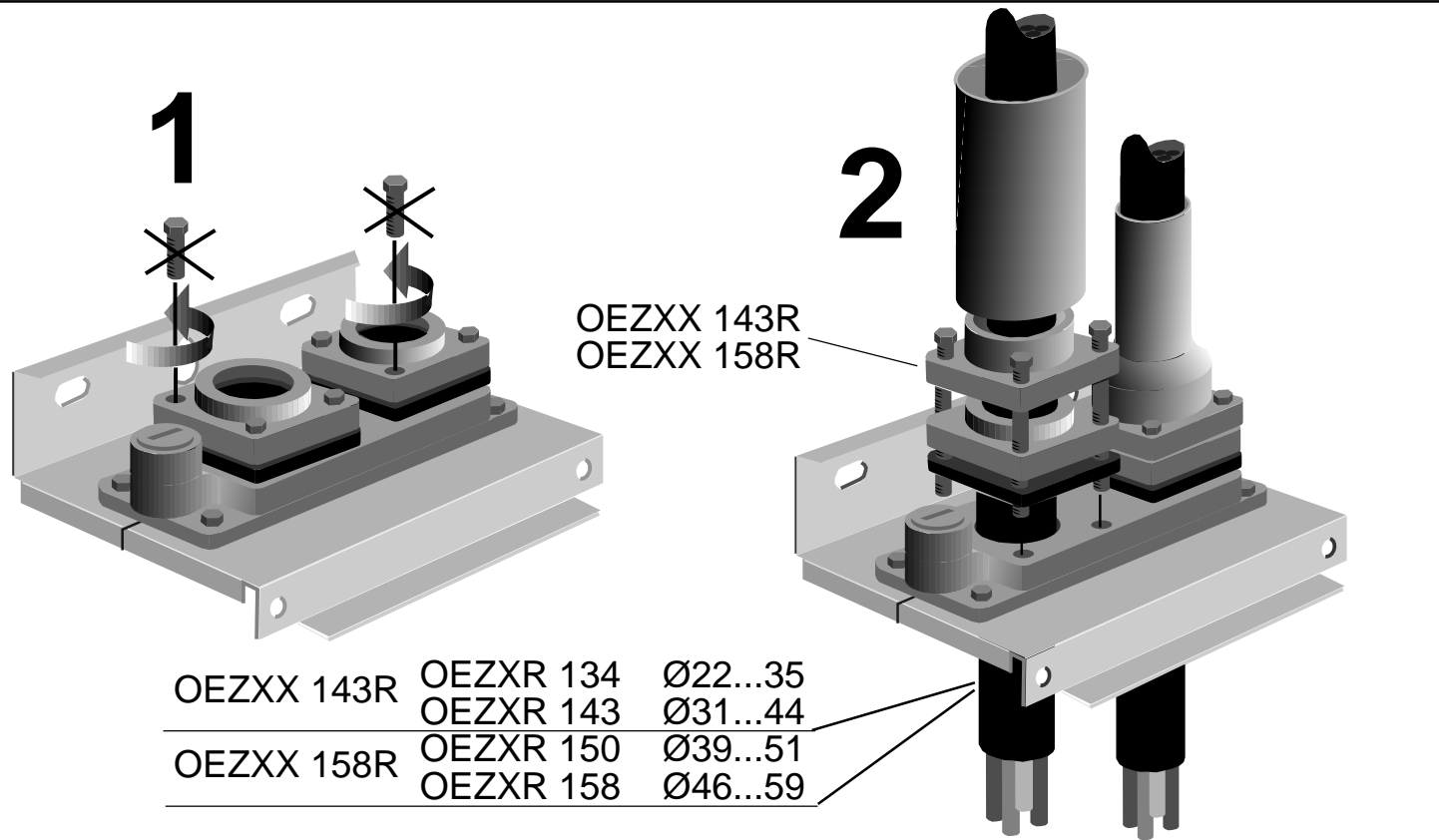


ABB Control Oy

Low Voltage Systems
P.O. Box 600
FIN-65101 Vaasa, Finland

Telephone +358 10 224 000
Telefax +358 10 224 3322

Piirustus No.	344 OEZXX 1R2 C		
Document No.	VL 2235 6046		
Teki	97-09-02	Tarkasti	Hyväksyi
Prepared	R Laitalainen	Checked	Approved