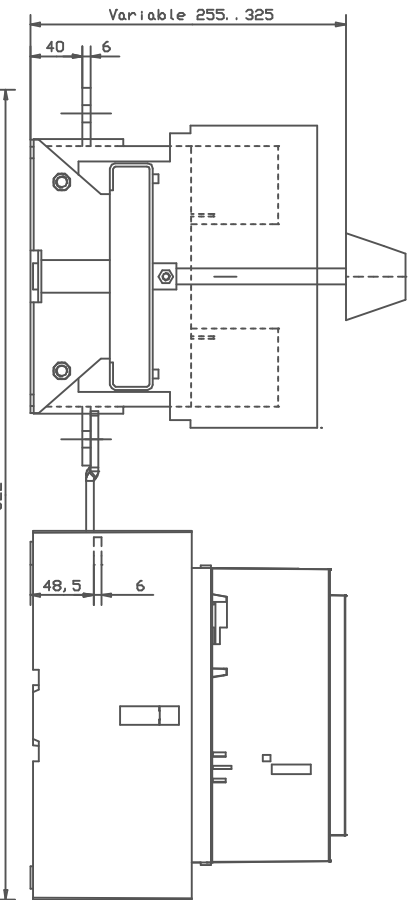
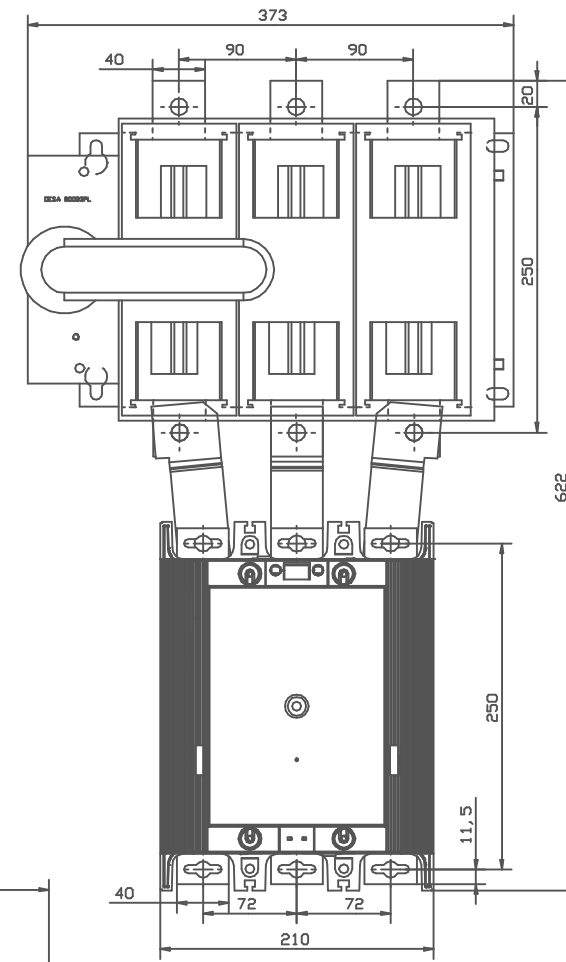
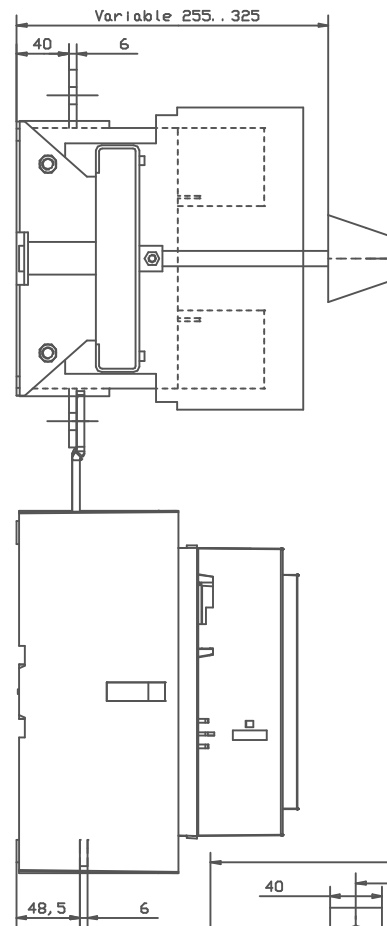
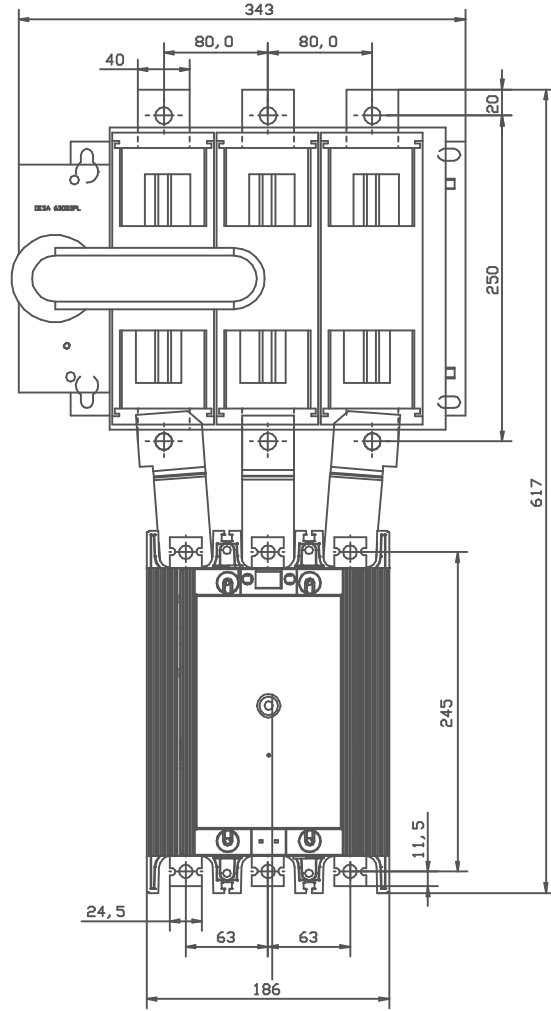
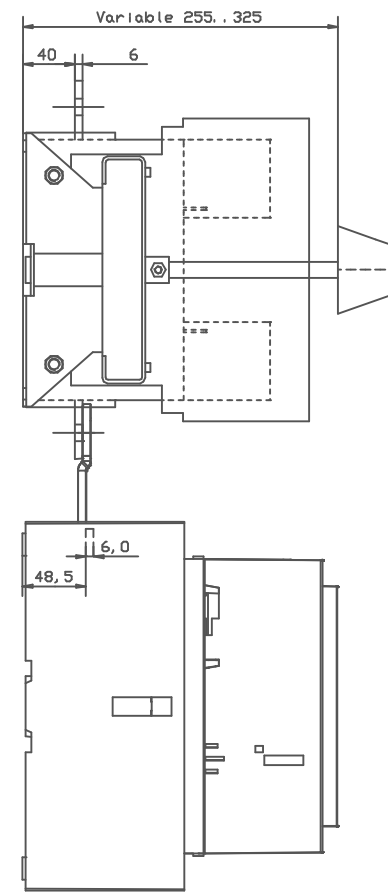
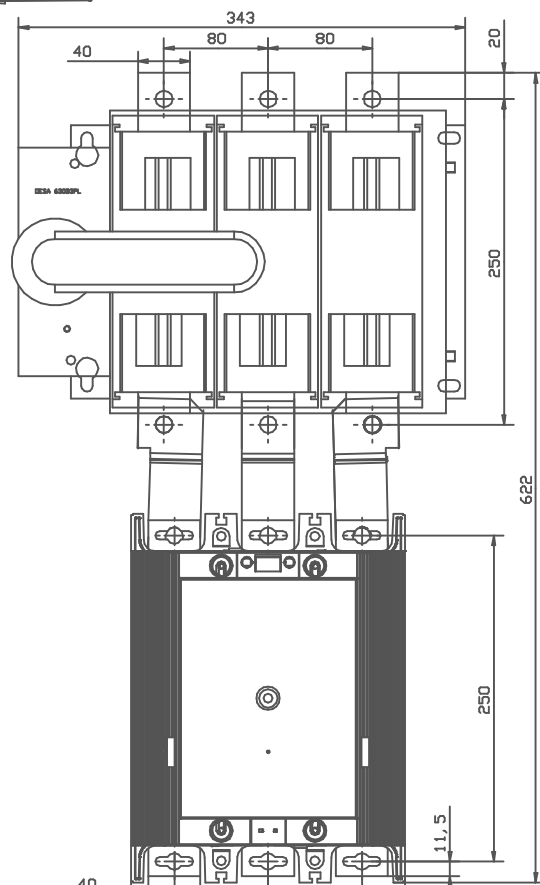


BEF 750/DESA800



AF460/DESA 630



AF750/DESA 800

AF580/DESA 630

Drilling plan acc. to 5354 0919-66 sheet 2

Connection bars between contactor and switch-fuse  
AF460/DESA 630, AF580/DESA 630 and AF750/DESA 800

All dimensions are in millimeters unless otherwise stated.  
 Dimensions in parentheses are for reference only.

Prepared K Linnarud	Responsible department SECR/UK	Title DIMENSION DRAWING	
Approved K Herold	Title over department	MÄTTSKISS	
Revision	Scale	Document No. 5354 0919-66	Layer 82 Cont. 2 Sheet 1
Rev No Revision Appl Year Work ABB Control		ISSUED 01-10-19	