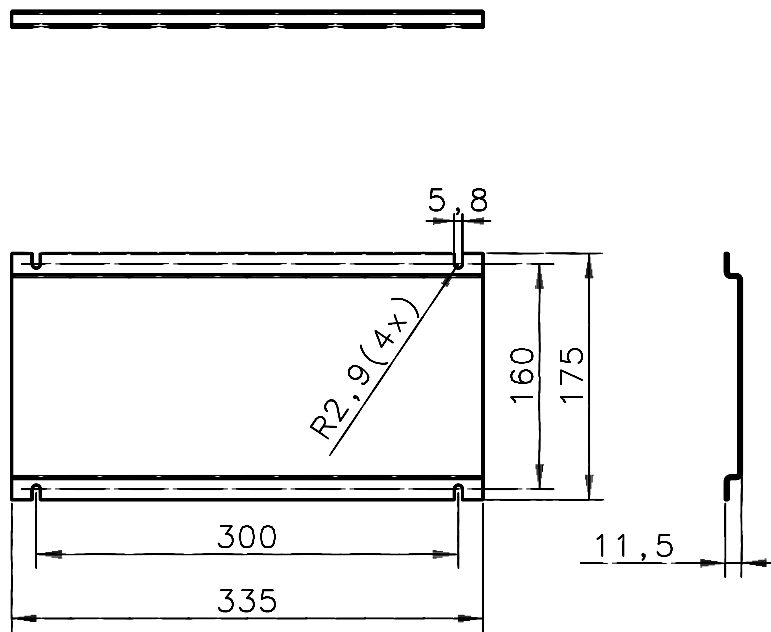


PN110-41

| Rev ind | Revision | Appd | Year | Week |
|---------|----------|------|------|------|
|---------|----------|------|------|------|

General tolerances ISO 2768-m
 Generella toleranser ISO 2768-m

We reserve all rights in this document and in the information contained therein. Reproduction, use or disclosure to third parties without express authority is strictly forbidden. © ABB Control



| | | | | |
|--------------------|-----|------------------------------------|------------------------------|------------|
| Prepared Herold | P Q | Responsible department SECRL/MM | Title Mounting plate_13 | |
| Approved Herold | | Take over department | Monteringsplåt | |
| Revision | | Scale 1:5 | Document No. 5354 0919-94 | Cont. - |
| ABB Control | | | Prel | Sheet 1 |

(A4)