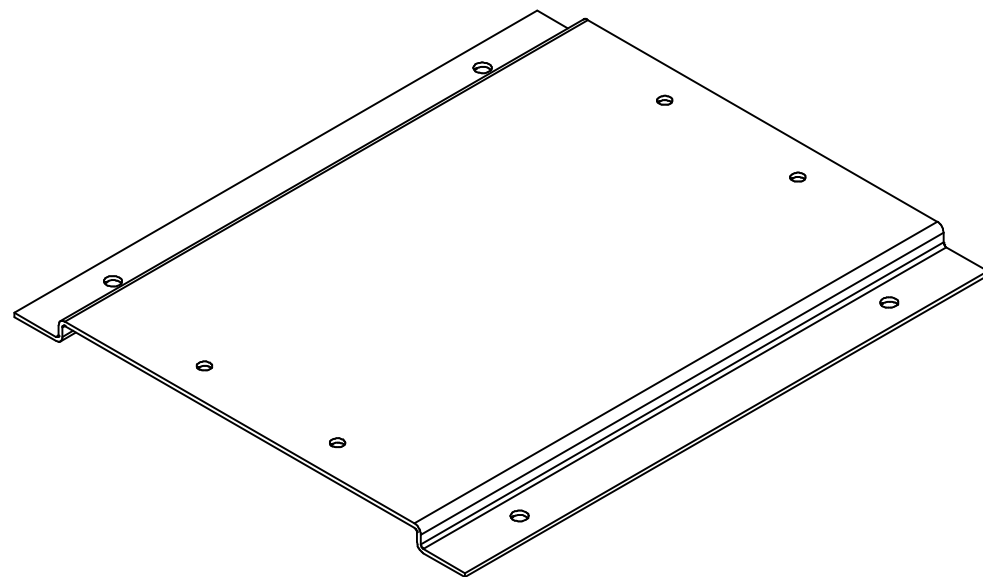
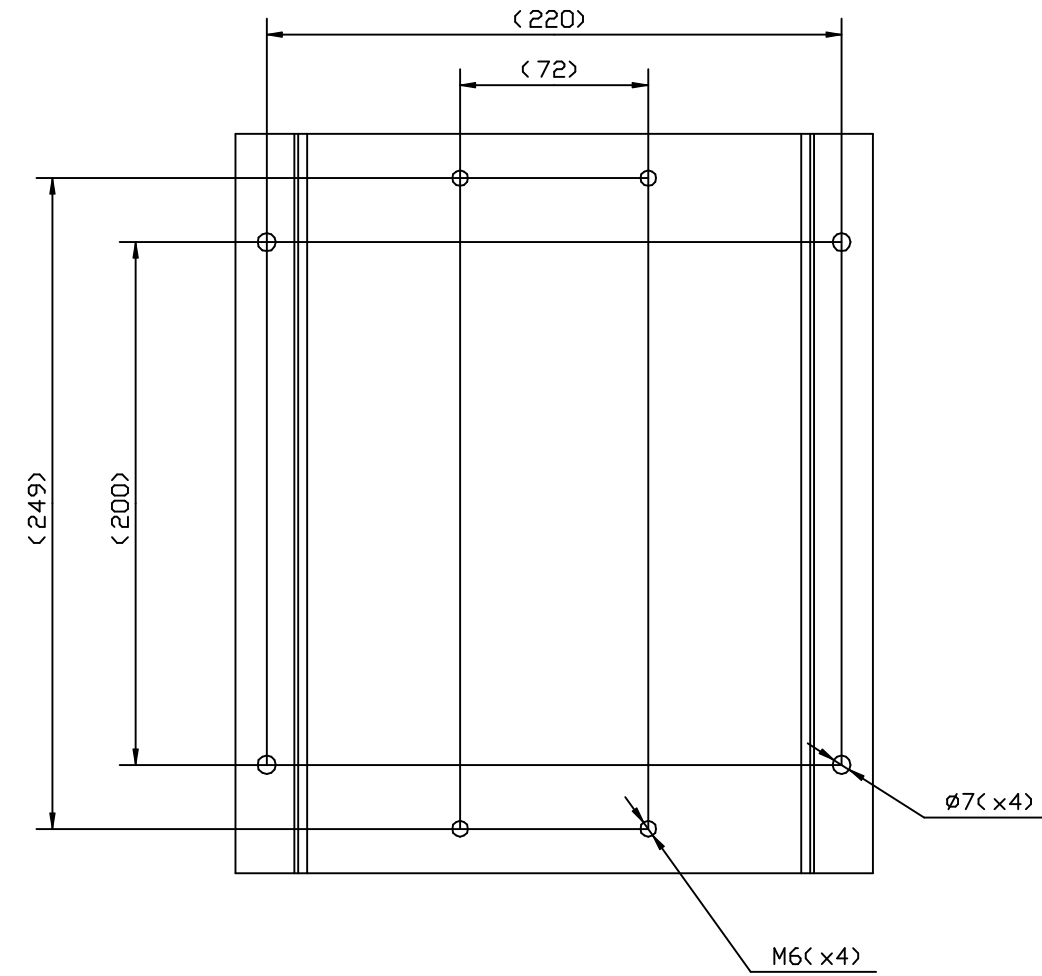
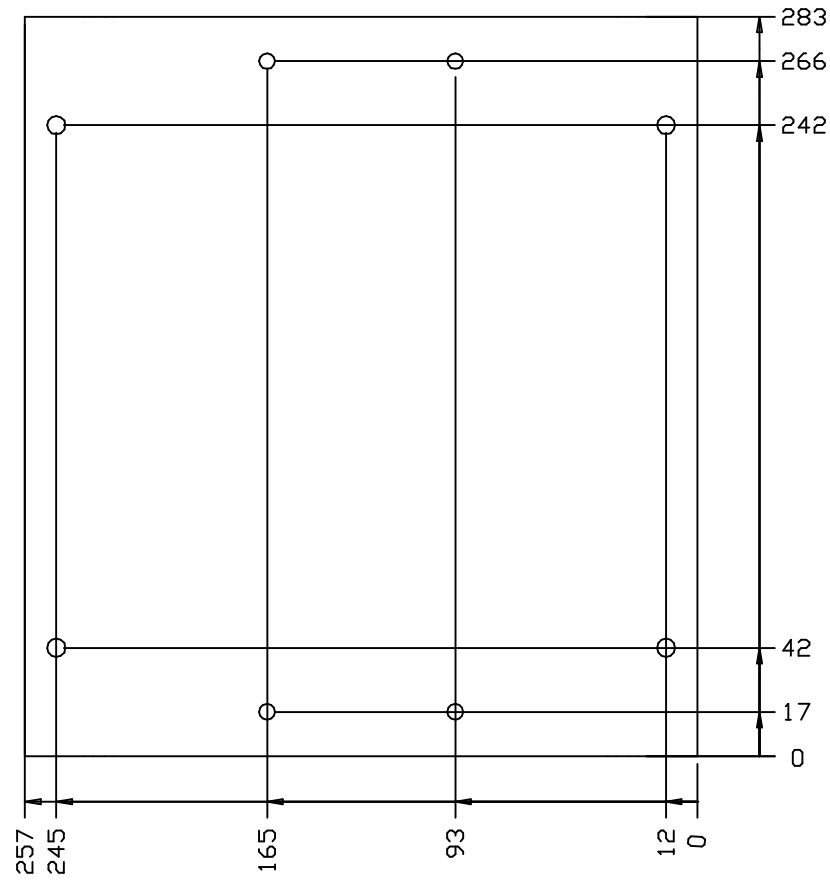


UTBREDD



General tolerances ISO 2768-m
Generella toleranser ISO 2768-m

283x257

	1SFB 8-844	2 1151-90	T=2;	Sheet of steel Plåt av stål		
Quantity	Item No.	Article No.	Material, type, etc	Dimensions	Name of item	Note
Prepared	M Ytterberg	Responsible department	SECL/UK	Title		Adapter EH700, 800-AF750
Approved	K Herold	Take over department		Title		Adapterplåt
Revision		Scale	1:2	Document No.		2161 566-21
ABB			ABB Control	ISSUED		Lang 82 Cont. - Sheet 1

We reserve all rights in this document and in the information contained therein. Reproduction, use or disclosure to third parties without express authority is strictly forbidden. © ABB Control