

A	L	■ B
OHM 45L5	45	5
OHM 65L5	65	5
OHM 65L6	65	6
OHM 125L12	125	12
OHM 175L12	175	12
OHM 275L12	275	12

A00268B

Low Voltage Products  
 P.O. Box 622 Telephone +358 10 224 000  
 FI-65101 Vaasa Telefax +358 10 244 5708  
 Finland

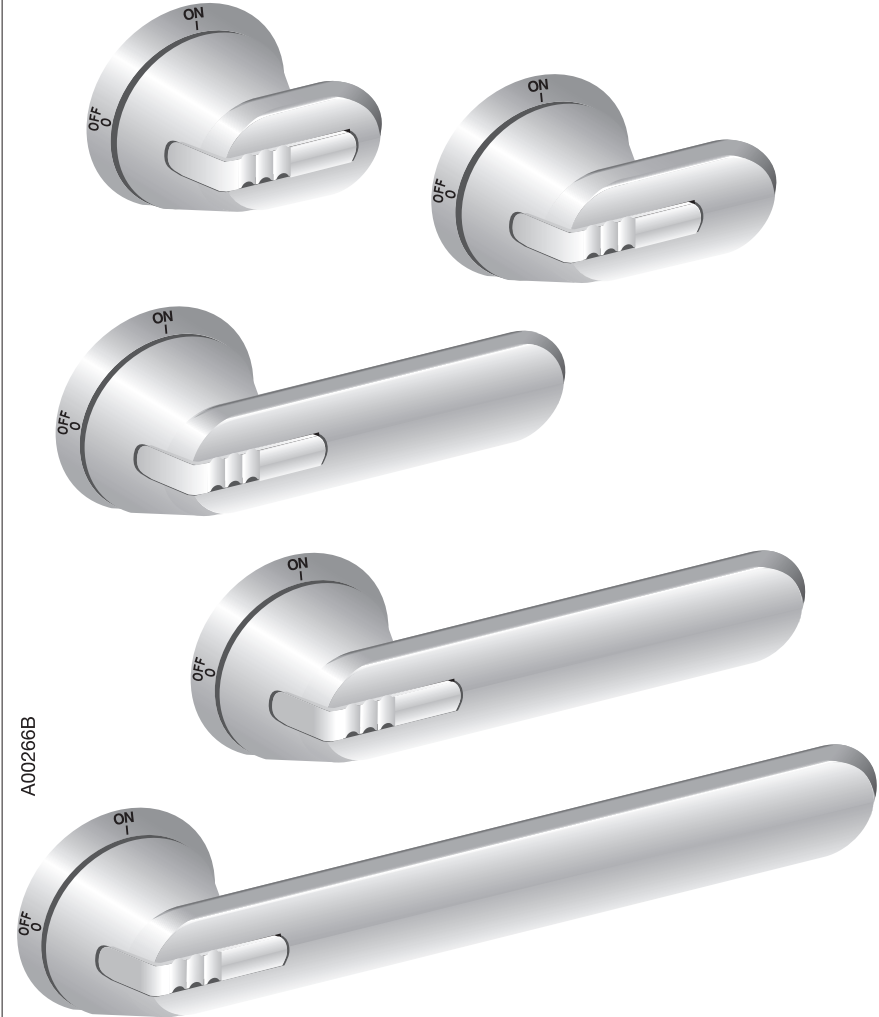
ABB Oy

Label should be affixed to the rear mounting surface immediately adjacent the handle after installation.

Type 1, 3R, 4, 4X or 12

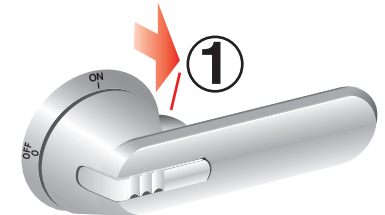
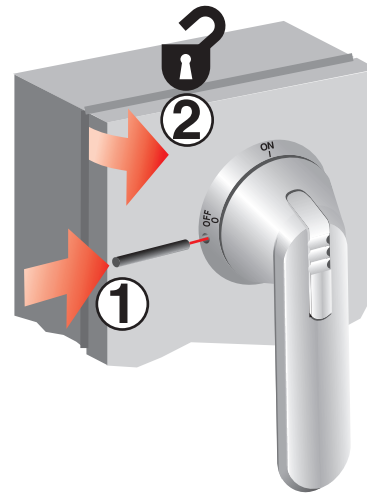
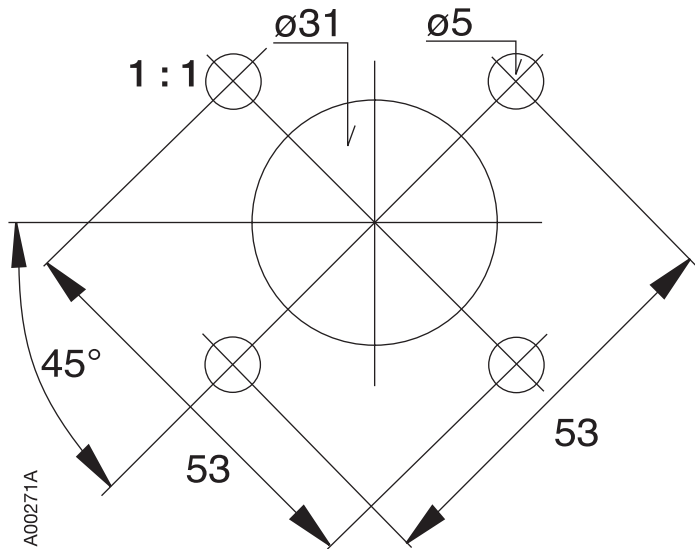
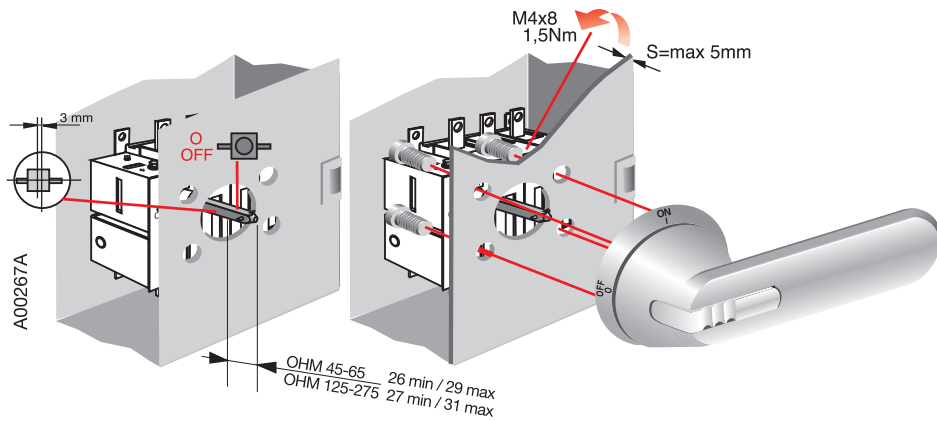
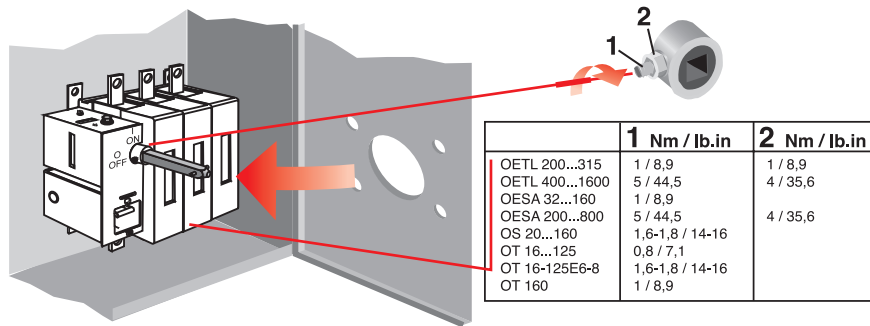


E101914



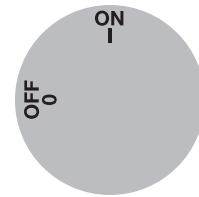
A00268B

OHM 45...275\_ \_

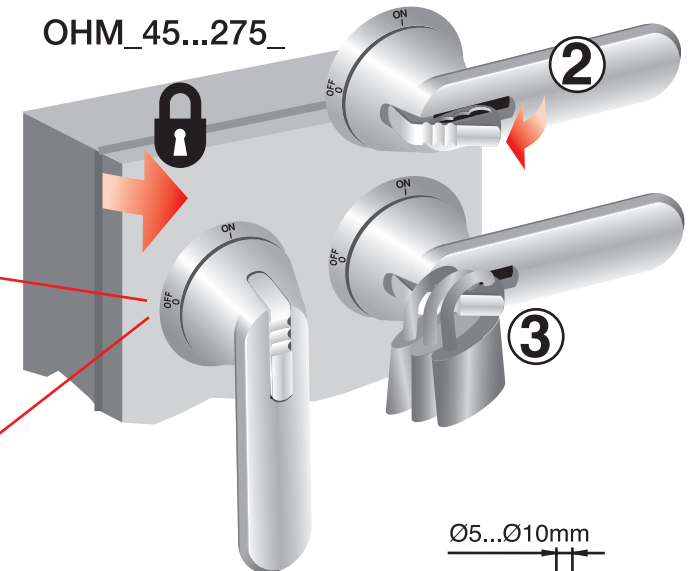
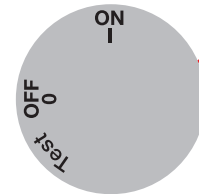


OHM\_45...275\_

OHM\_45...275\_



OHM\_45...275\_T



Ø5...Ø10mm

