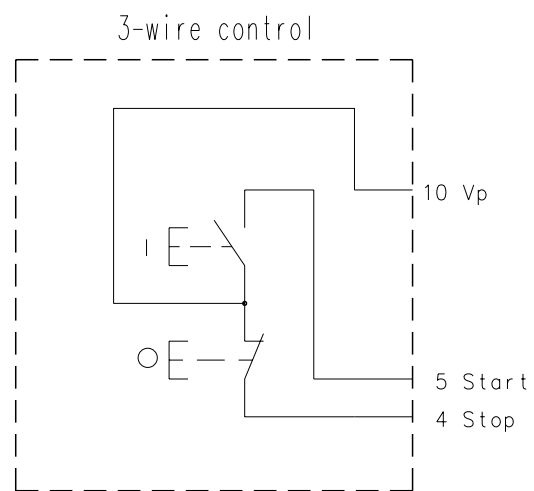
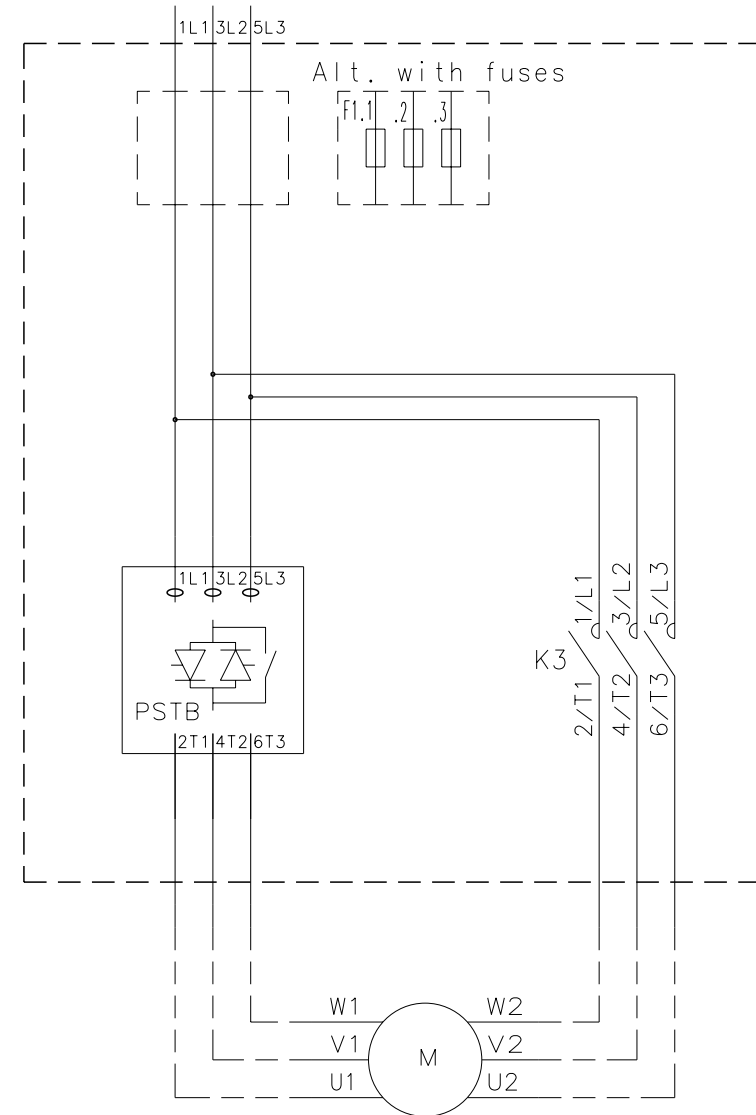
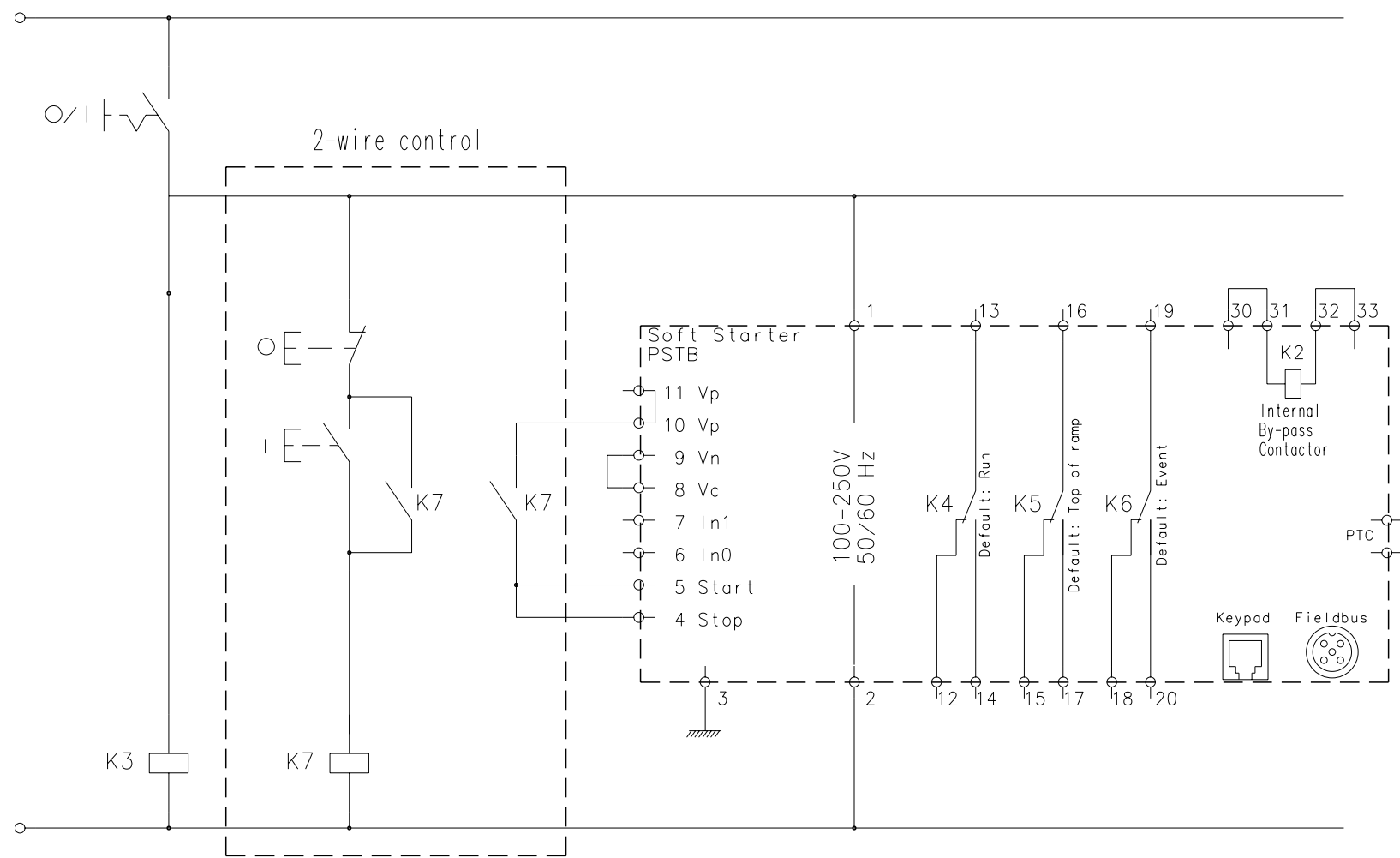


We reserve all rights in this document and in the information contained therein. Reproduction, use or disclosure to third parties without express authority is strictly forbidden. © ABB Control



Prepared T Persson	P IQ	Responsible department ATCL/ME	Title Application diagram	
Approved T Persson		Take over department		Lang. 82
Revision		Scale	Document No. 1SFB536005G4001	Cont. -
ABB Control			ISSUED 030908	Sheet 1

Rev ind	Revision	Appd	Year	Week
---------	----------	------	------	------