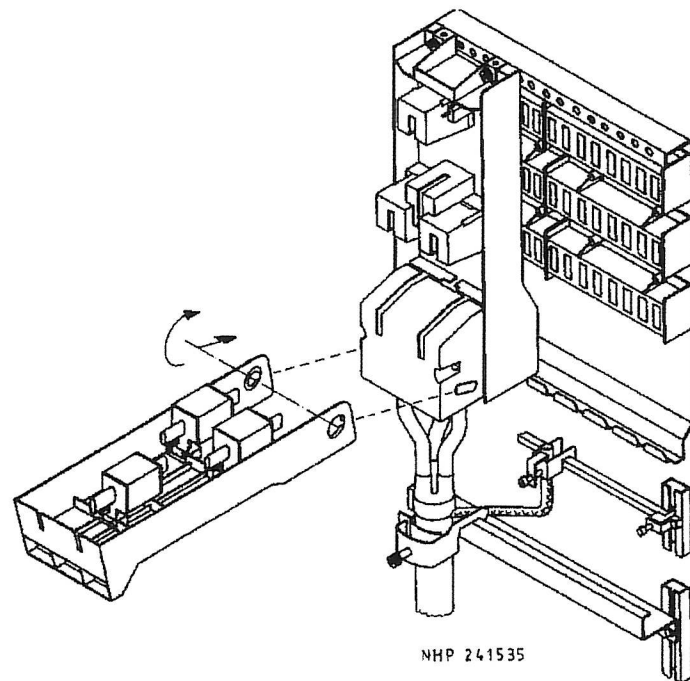


Montasjeveiledning  
Installation Instruction  
Montageanleitung

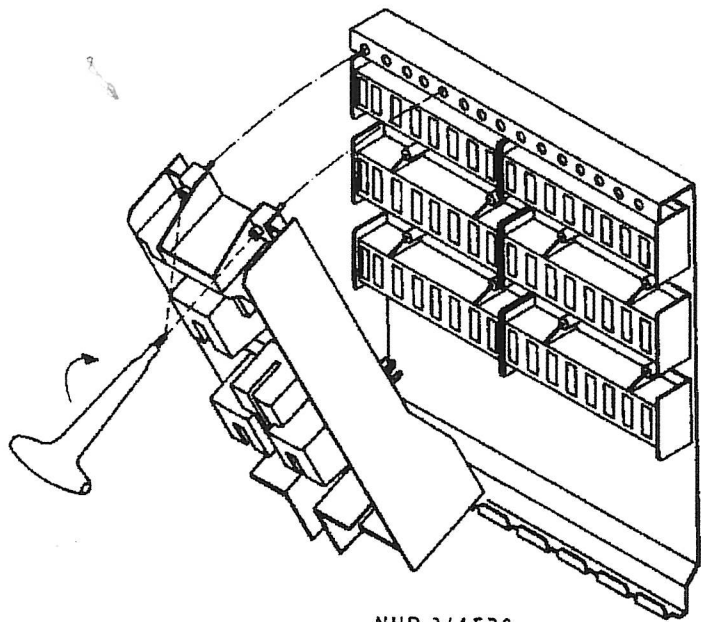
SLK 400 /250  
SLK 400 /250  
SLK 400 /250

GR. 1-2  
GR. 1-2  
GR. 1-2

NHP 403202P0717 Rev. C



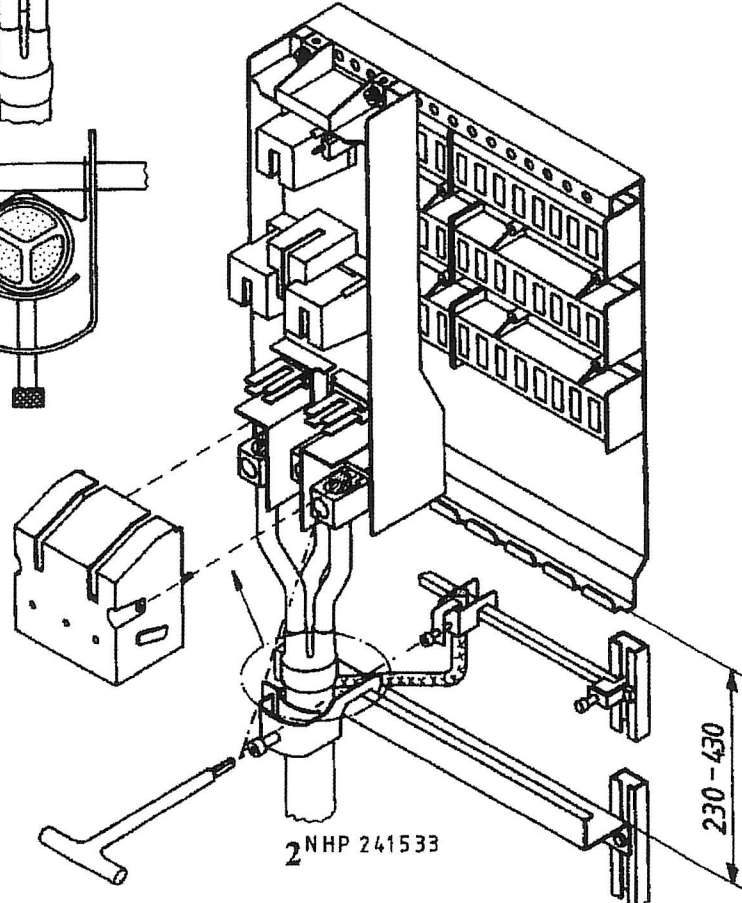
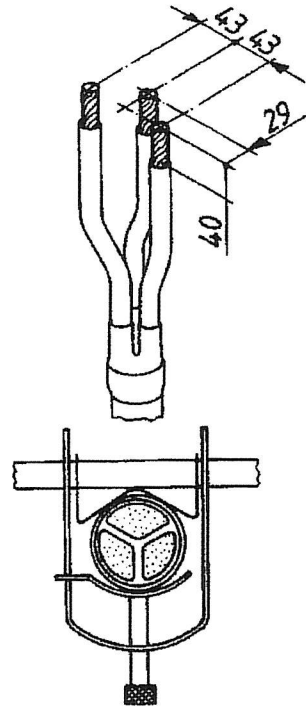
**SLK 400 /SLK 250**



NHP 241536

Max. Tiltrekningsmoment 10Nm  
 Max. Tightening torque 10Nm  
 Max. Anzugsdreh moment 10Nm

1



2 NHP 241533

230 - 430