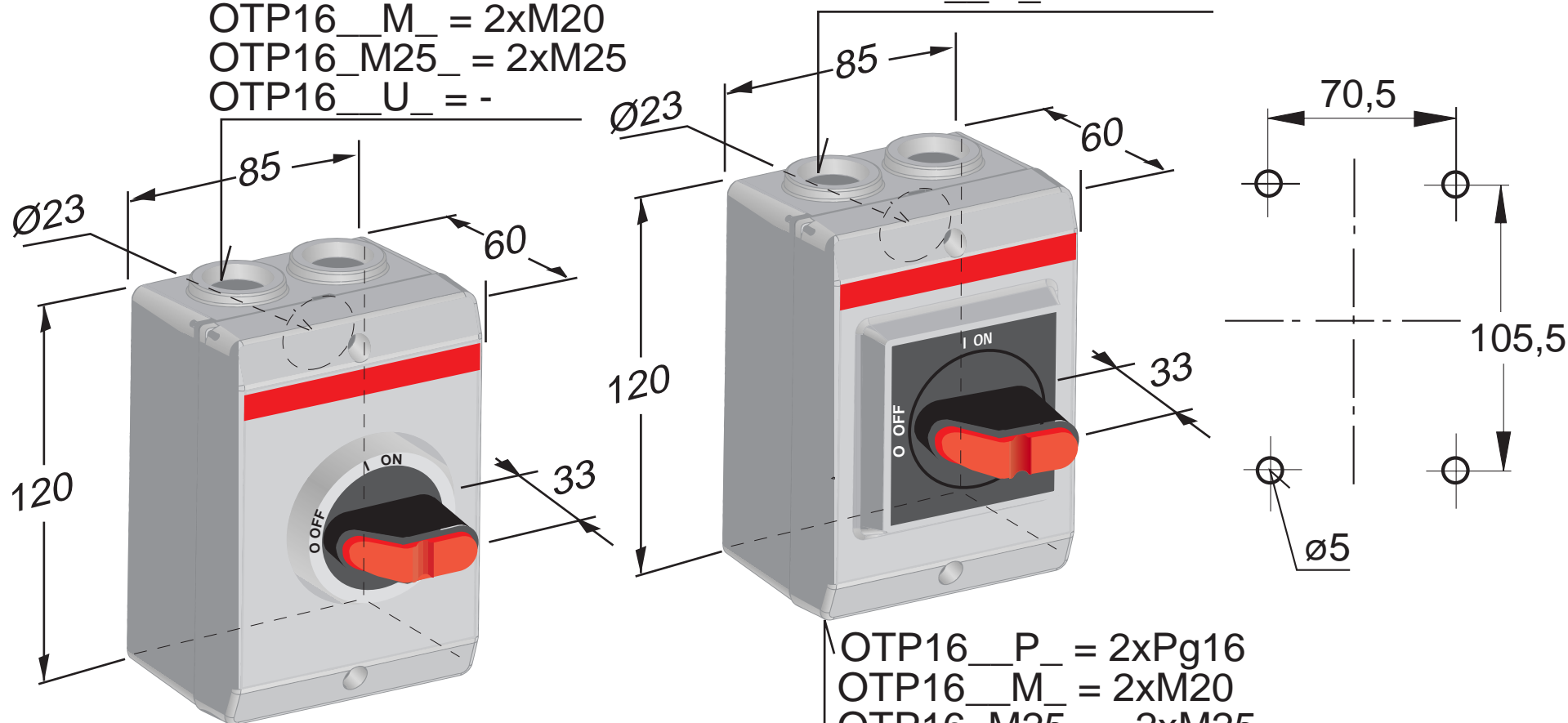


# OTP 16\_

OTP16\_\_P\_\_ = 2xPg16  
 OTP16\_\_M\_\_ = 2xM20  
 OTP16\_M25\_ = 2xM25  
 OTP16\_\_U\_\_ = -

OTP16\_\_P\_\_ = 2xPg16  
 OTP16\_\_M\_\_ = 2xM20  
 OTP16\_M25\_ = 2xM25  
 OTP16\_\_U\_\_ = -



OTP16\_\_P\_\_ = 2xPg16  
 OTP16\_\_M\_\_ = 2xM20  
 OTP16\_M25\_ = 2xM25  
 OTP16\_\_U\_\_ = -

OTP16\_\_P\_\_ = 2xPg16  
 OTP16\_\_M\_\_ = 2xM20  
 OTP16\_M25\_ = 2xM25  
 OTP16\_\_U\_\_ = -

Piirustus No. 13 OTP 16_3_ E		Document No. VL 2238 3035	
Teki Prepared	02-11-04 T Mäkkylä	Tarkasti Checked	Hyväksyi Approved
ABB Oy		Low Voltage Products	