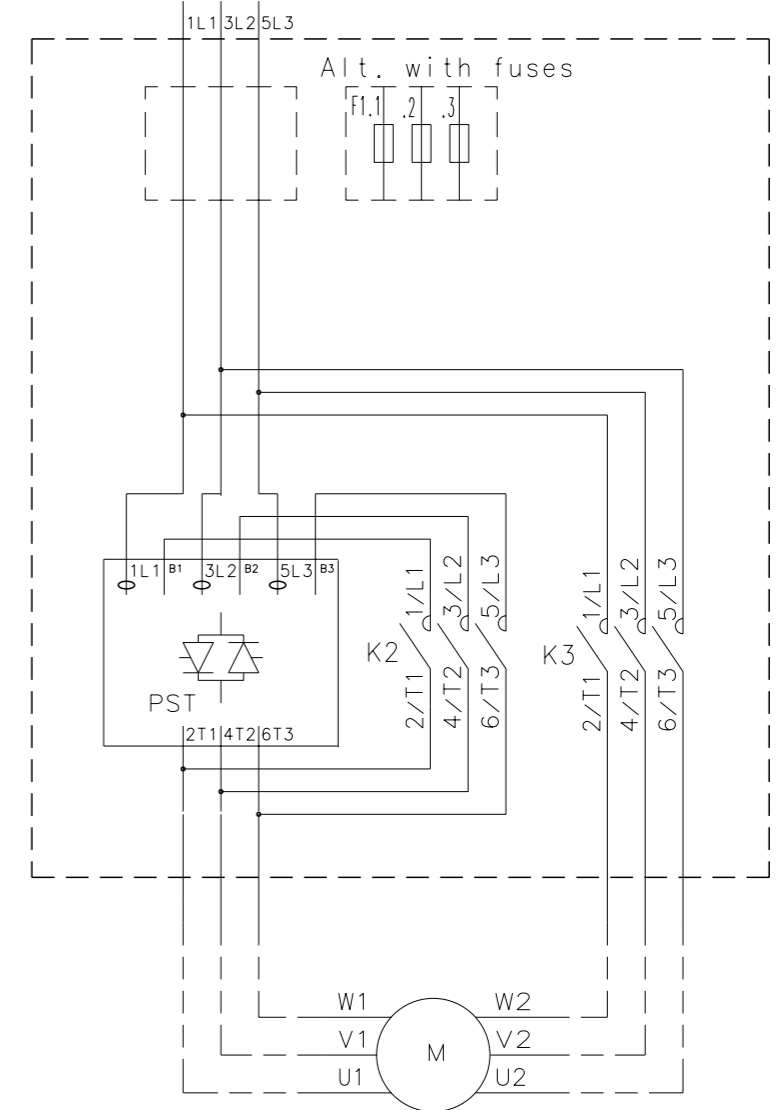
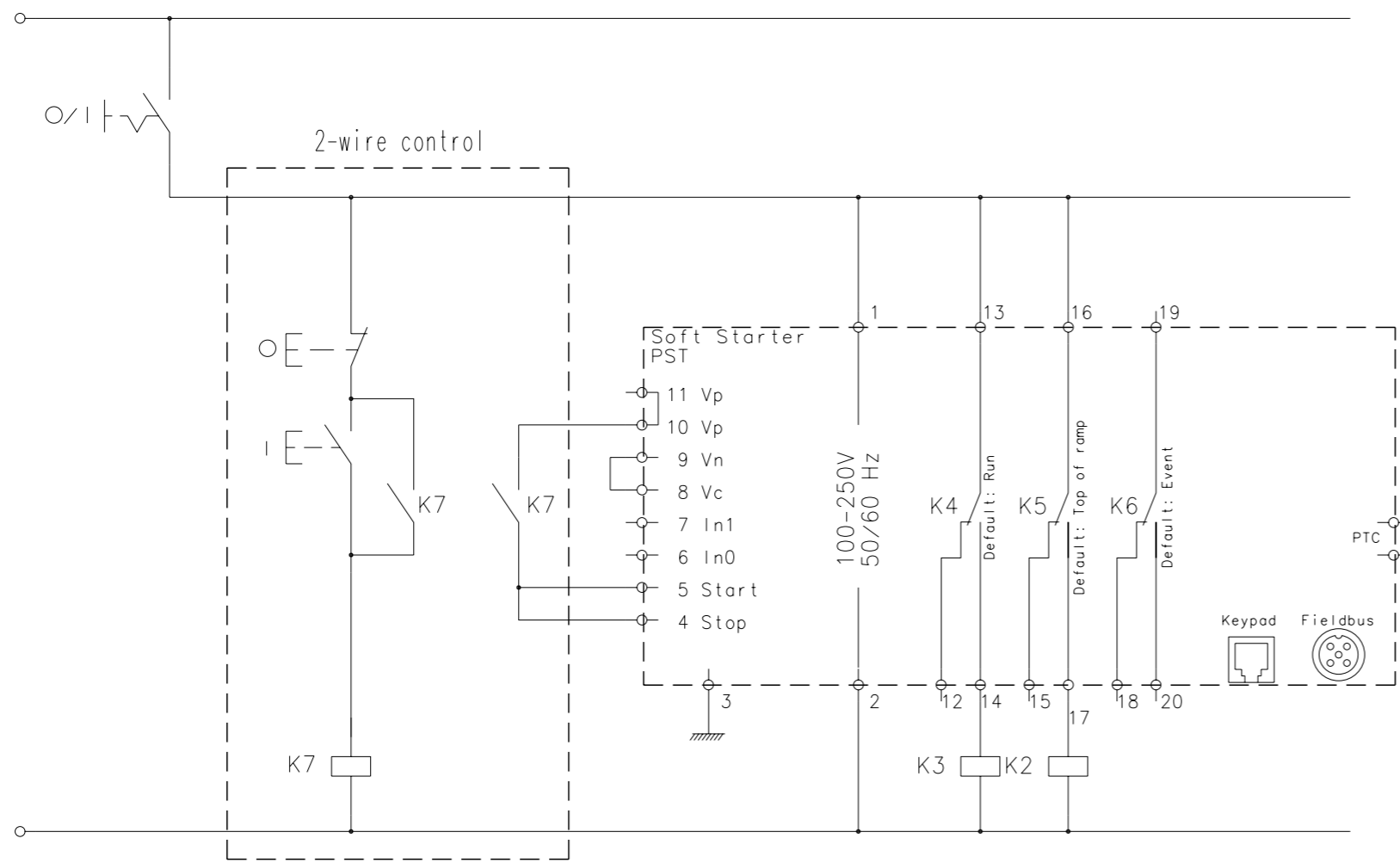


PST

Inside Delta with main contactor closed only during operation and by-pass



Coil consumption for main and by-pass contactors.
 Pull-in max 15A
 Holding max 1,5 A

If the pull-in or holding values are higher, the main and by-pass contactors must be controlled via an auxiliary contactor.

We reserve all rights in this document and in the information contained therein. Reproduction, use or disclosure to third parties without express authority is strictly forbidden. © ABB Control

Prepared T Persson	Responsible department ME	Title Application diagram			
Approved T Persson 2007-03-16	Take over department	Long. 82			
Revision -	Scale	Document No. 1SFB536005G3004			
ABB Control		ISSUED 030908			
Rev ind	Revision	Appd	Year	Week	Sheet 1