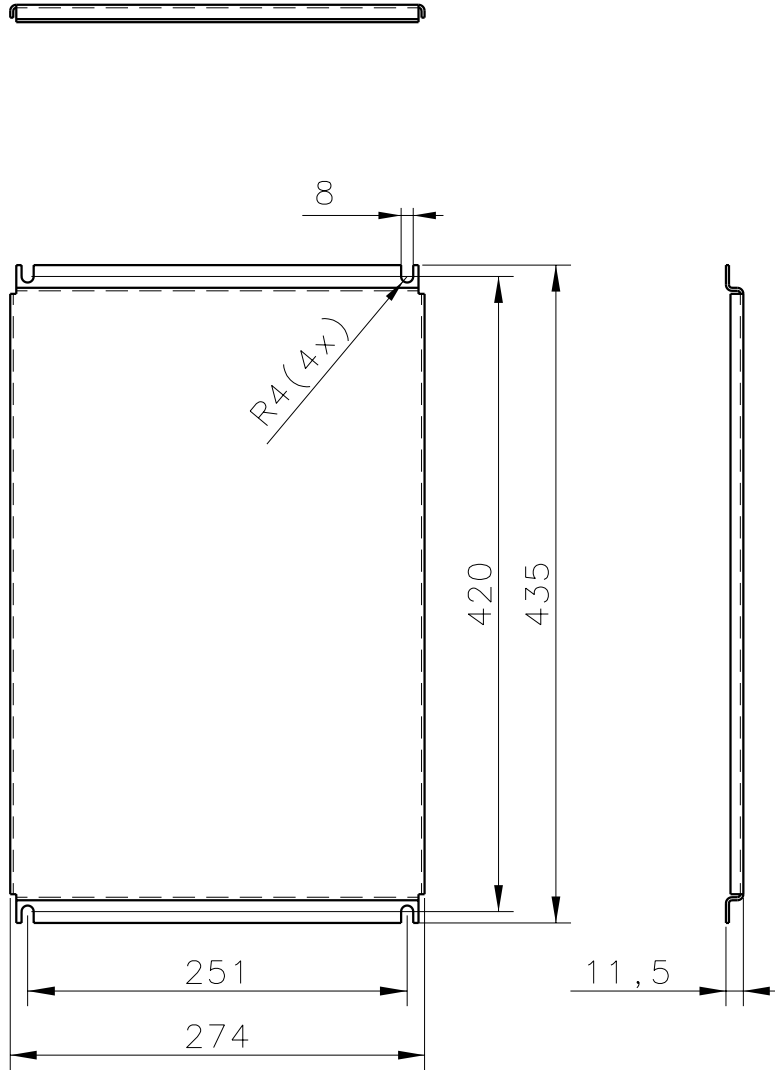


PN185-21

Rev ind	Revision	Appd	Year	Week
---------	----------	------	------	------

General tolerances ISO 2768-m  
 Generella toleranser ISO 2768-m



We reserve all rights in this document and in the information contained therein. Reproduction, use or disclosure to third parties without express authority is strictly forbidden. © ABB Control

Prepared Herold	P Q	Responsible department SECRL/MM	Title Mounting plate_8	
Approved Herold		Take over department	Monteringsplåt	Lang. 82
Revision		Scale 1:5	Document No. 5354 0919-90	Cont. -
ABB Control			ISSUED 040210	Sheet 1