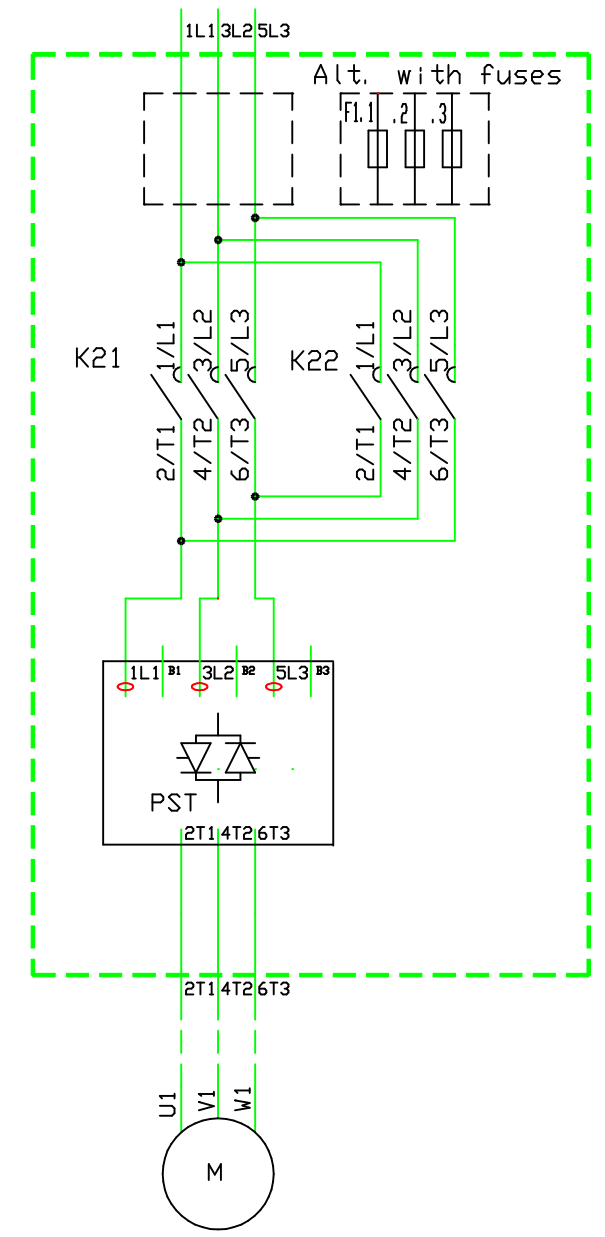
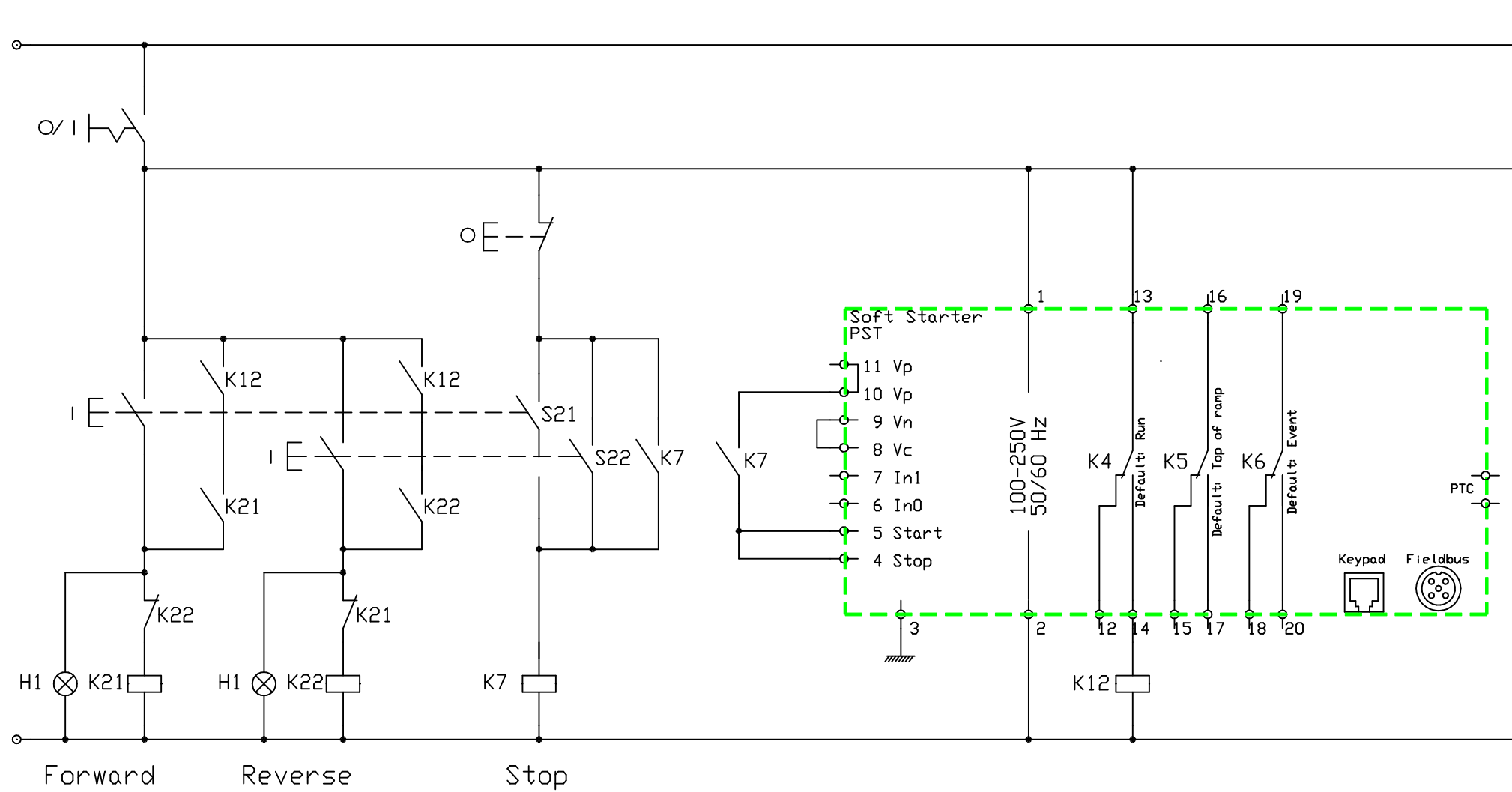


PST30...300

In Line with reversing
To be stopped before reversing
Start at optional direction



We reserve all rights in this document and in the information contained therein. Reproduction, use or disclosure to third parties without express authority is strictly forbidden. © ABB Control

Prepared T Persson	Responsible department ATCL/ME	Title Application diagram	Lang. 82
Approved T Persson	Take over department	Document No. 1SFB536005G1003	
Revision	Scale	ISSUED 030908	Cont. -
ABB Control		Sheet 1	

Rev ind	Year	Week