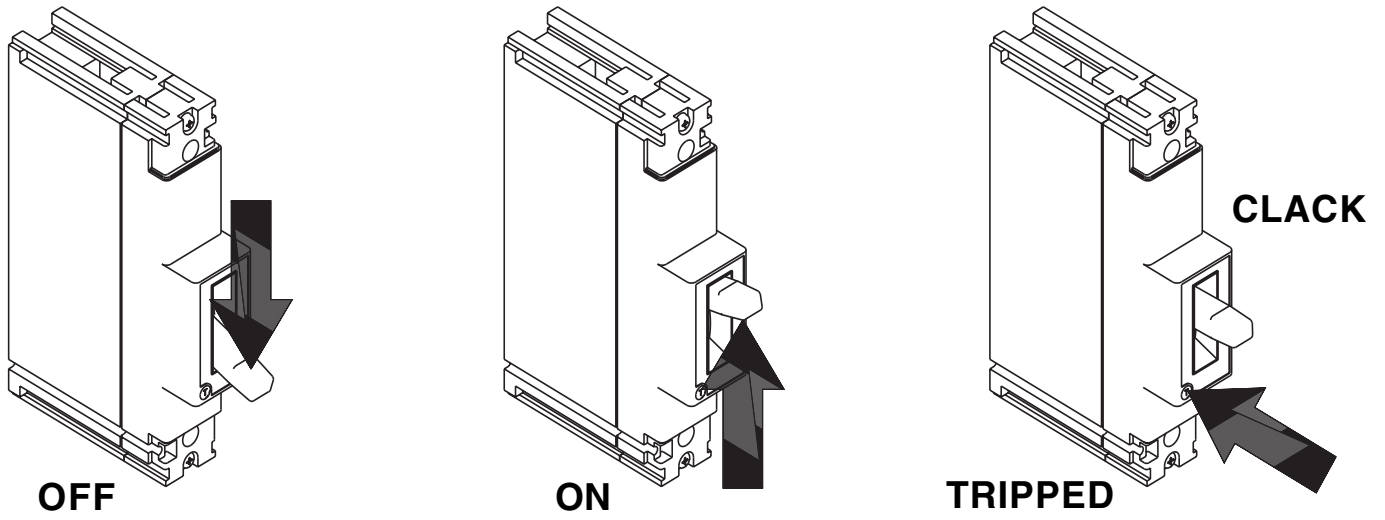
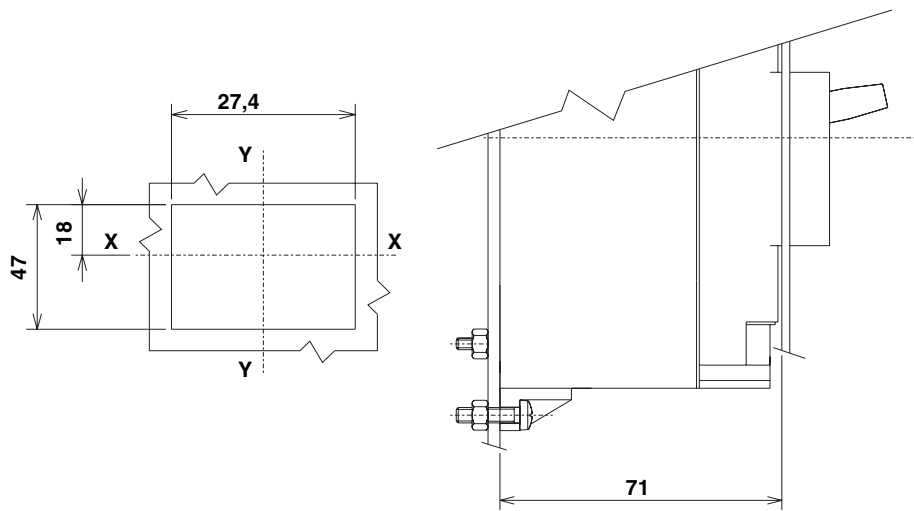




**D**





**E**



**F**

0.8 Nm                      1.4 Nm

Sez. Cavo; Wire Size.			
mm <sup>2</sup>			
Max.		70	50
Min.		2,5	2,5
		7	7

IEC

Wire Size		lb in
AWG		
14-10		20
8		40
6-1/0		45

UL