

Emax - Tmax

DOC. N.° 1SDH000529R0639 - L6117

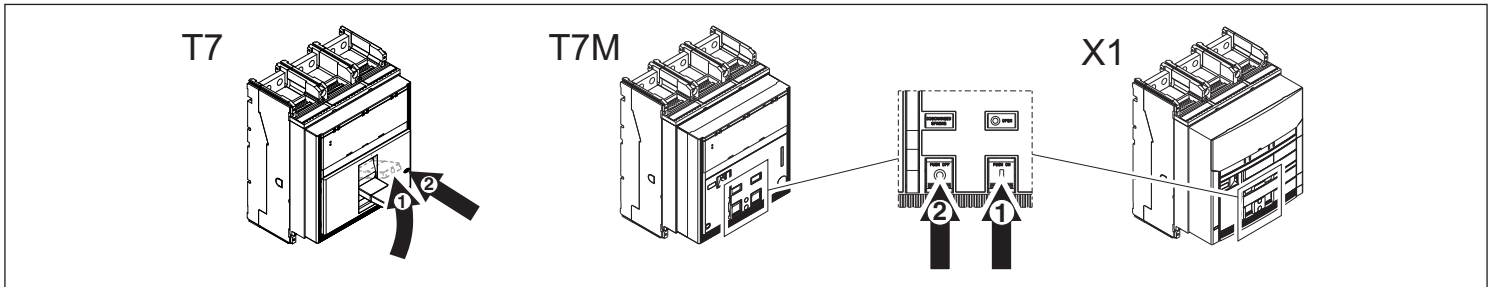
Blocco meccanico porta della cella diretto T7(W)-T7M-X1

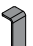






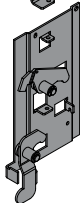


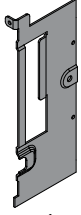








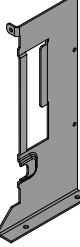



Direct mechanical lock on compartment door T7(W)-T7M-X1

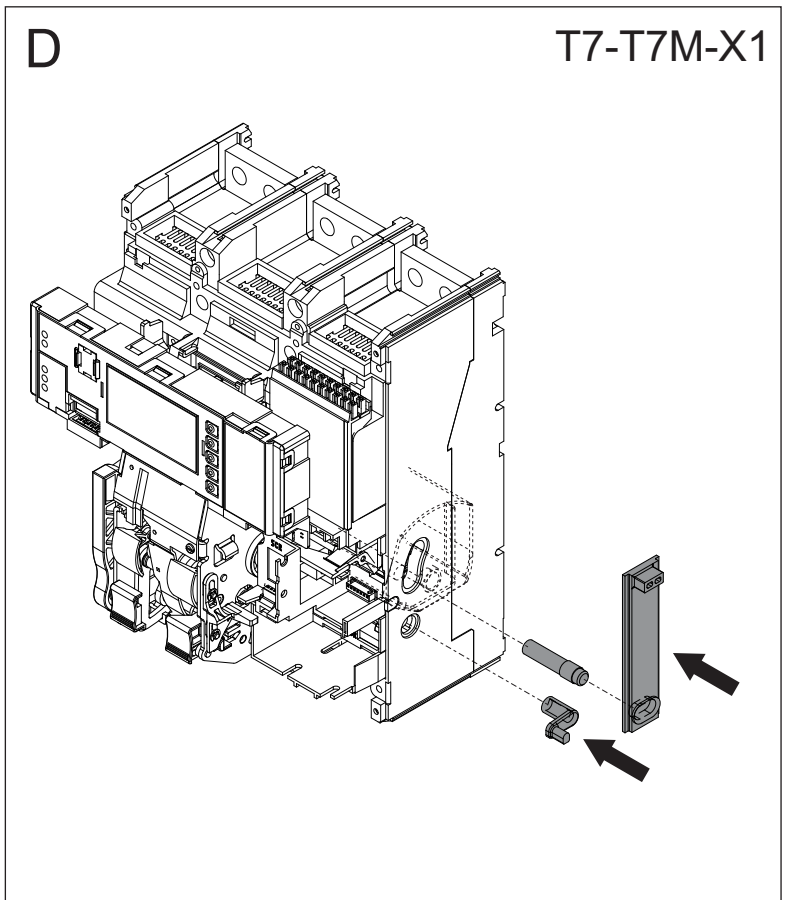
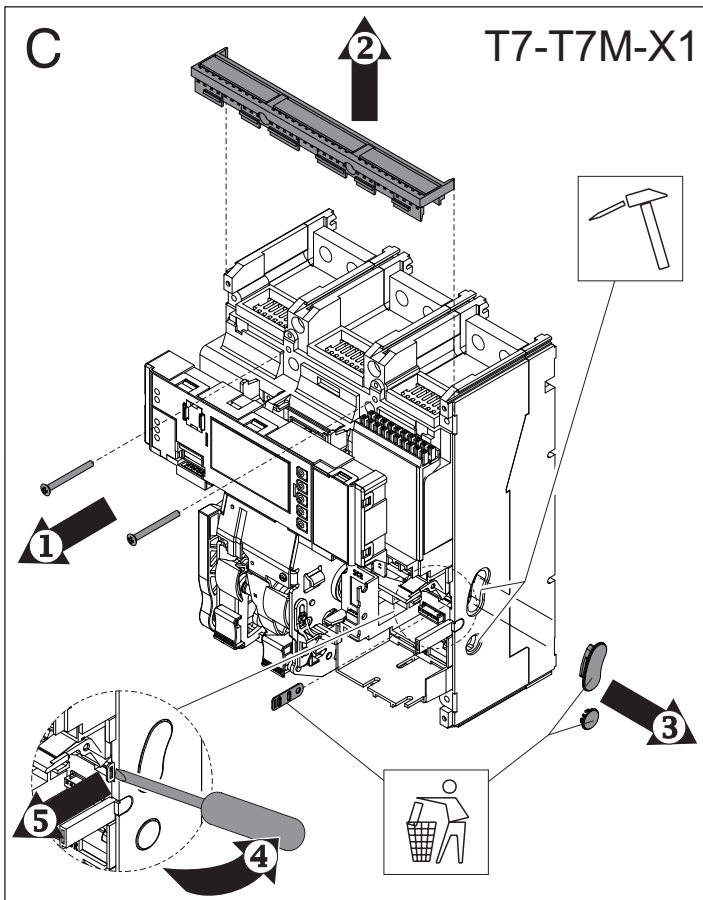
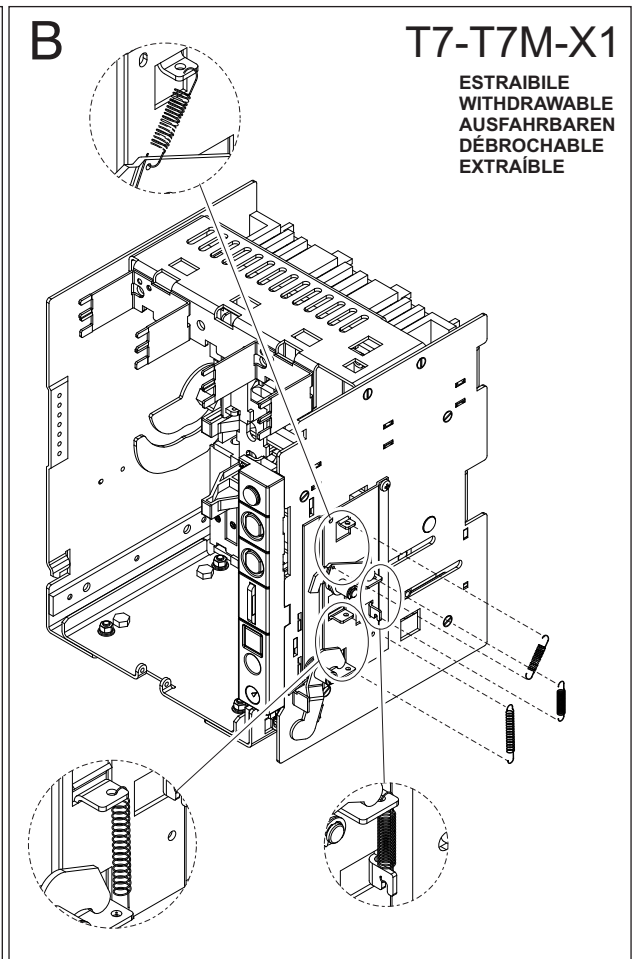
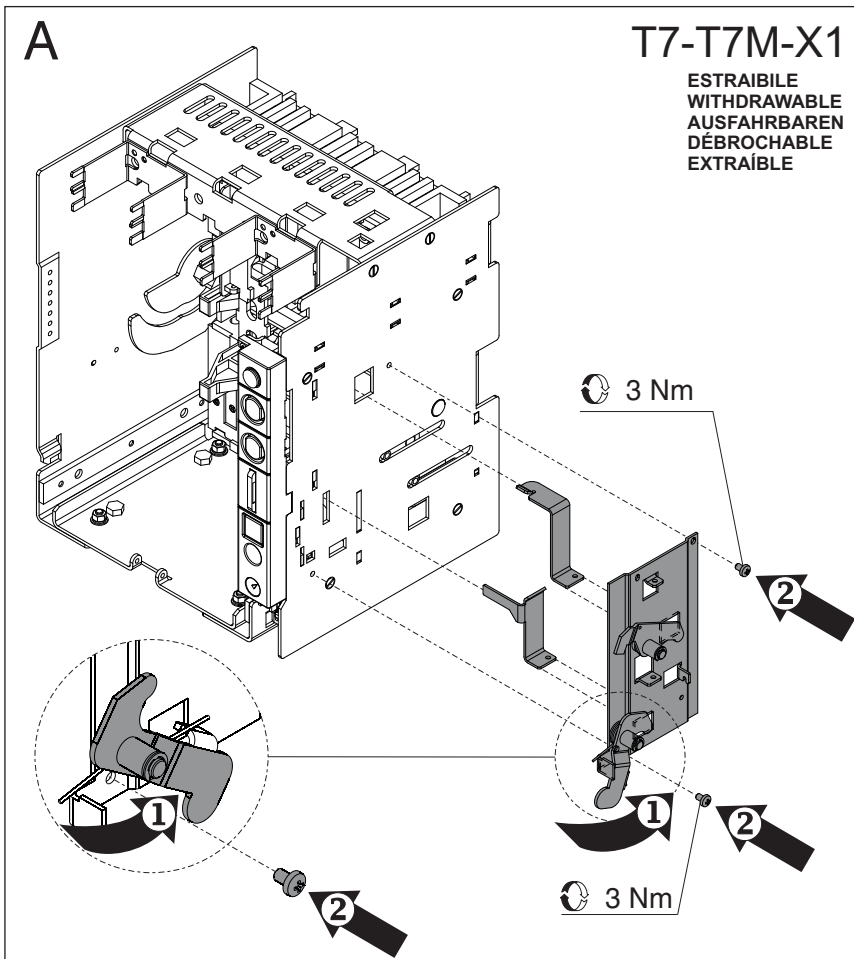
Mechanische Verriegelung der Schaltfeldtür, direkt T7(W)-T7M-X1

Verrouillage mécanique direct de la porte du compartiment T7(W)-T7M-X1

Bloqueo mecánico puerta de la celda directo T7(W)-T7M-X1

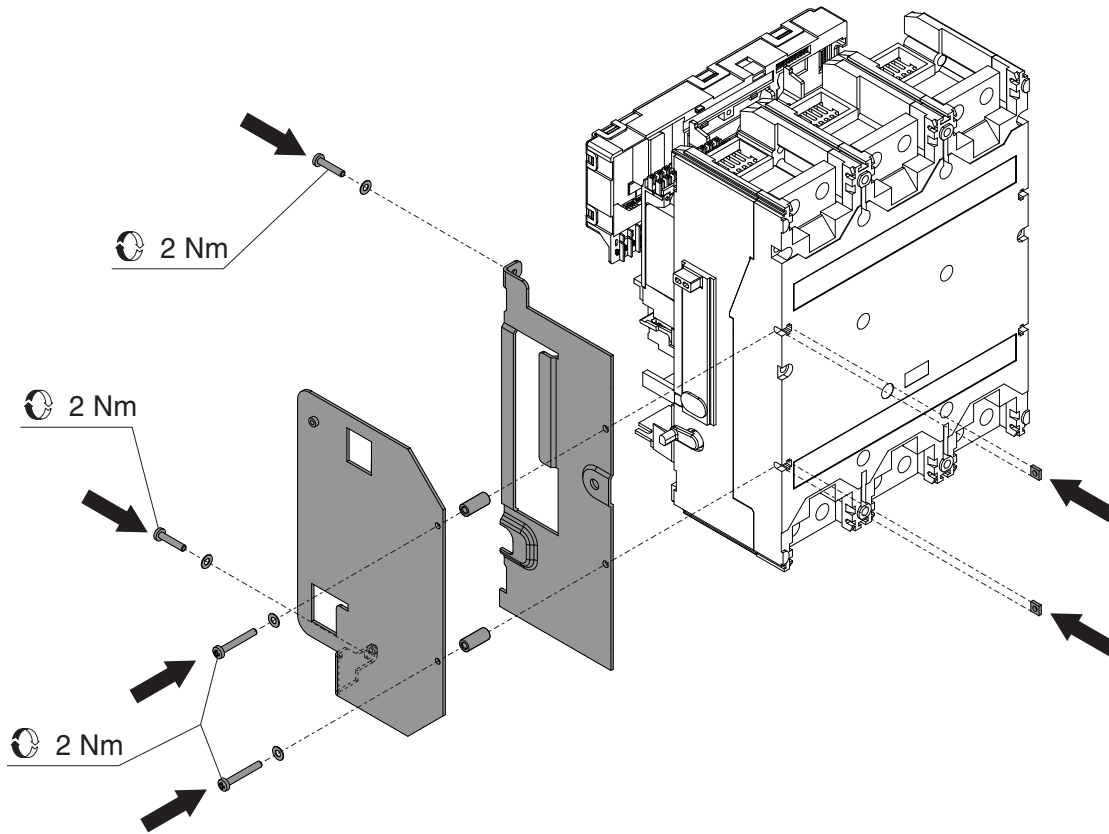


	T7-T7M-X1 ESTRAIBILE WITHDRAWABLE AUSFAHRBAREN DÉBROCHABLE EXTRAÏBLE	T7M-X1 FISSO FISSAGGIO PARETE FIXED WALL-MOUNTED FEST, WANDMONTAGE FIXE, MONTAGE PAROI FIJO, FIJACIÓN DE PARED	T7M-X1 FISSO FISSAGGIO PAVIMENTO FIXED FLOOR-MOUNTED FEST, BODENMONTAGE FIXE, MONTAGE SOL FIJO, FIJACIÓN DE PISO		T7-T7M-X1 ESTRAIBILE WITHDRAWABLE AUSFAHRBAREN DÉBROCHABLE EXTRAÏBLE	T7M-X1 FISSO FISSAGGIO PARETE FIXED WALL-MOUNTED FEST, WANDMONTAGE FIXE, MONTAGE PAROI FIJO, FIJACIÓN DE PARED	T7M-X1 FISSO FISSAGGIO PAVIMENTO FIXED FLOOR-MOUNTED FEST, BODENMONTAGE FIXE, MONTAGE SOL FIJO, FIJACIÓN DE PISO
	-	1	1		3	3	3
	-	1	1		1	-	-
	-	1	1		1	-	-
	-	1	1		1	1	1
	-	2	2		1	-	-
	-	1	-		2	-	1
	-	1	1		2	4	4
	-	1	1		2	2	2
	-	1	1		2	8	8
	-	2	2		-	-	1
	-	2	2				
	-	2	2				
	-	2	2				

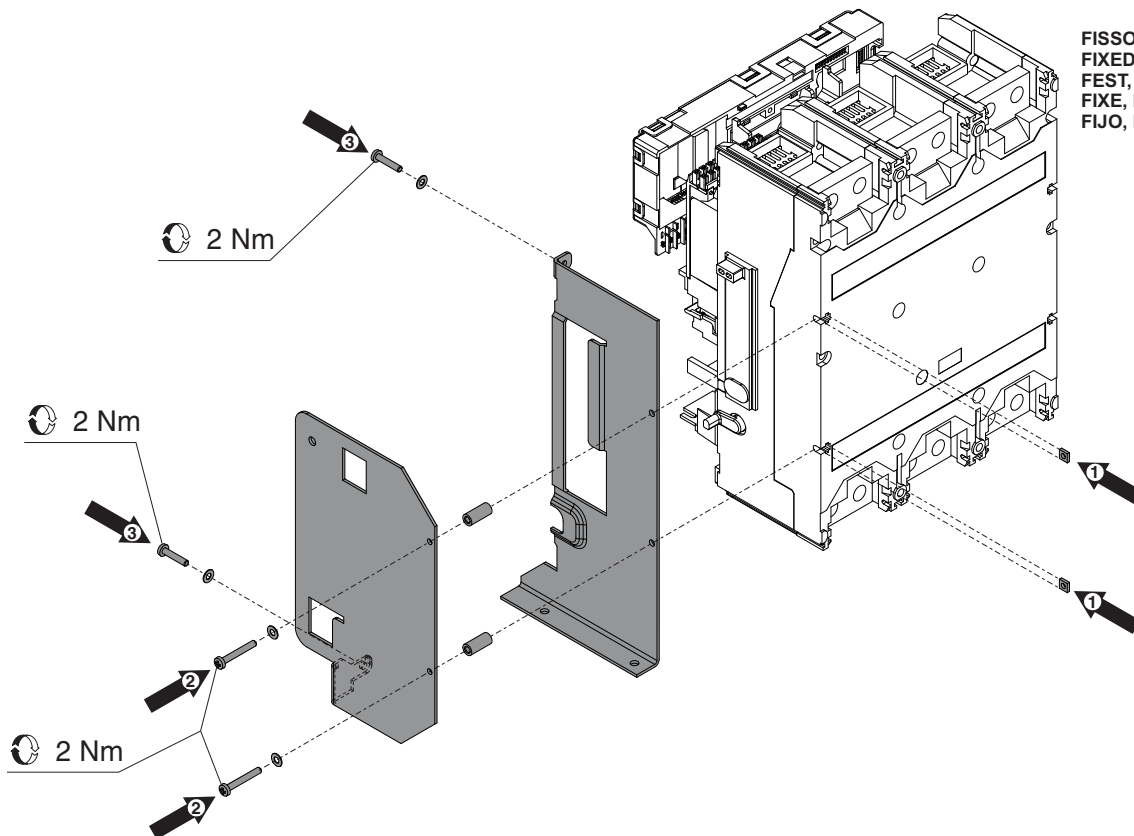


E**T7-T7M-X1**

FISSO FISSAGGIO PARETE
 FIXED WALL-MOUNTED
 FEST, WANDMONTAGE
 FIXE, MONTAGE PAROI
 FIJO, FIJACIÓN DE PARED

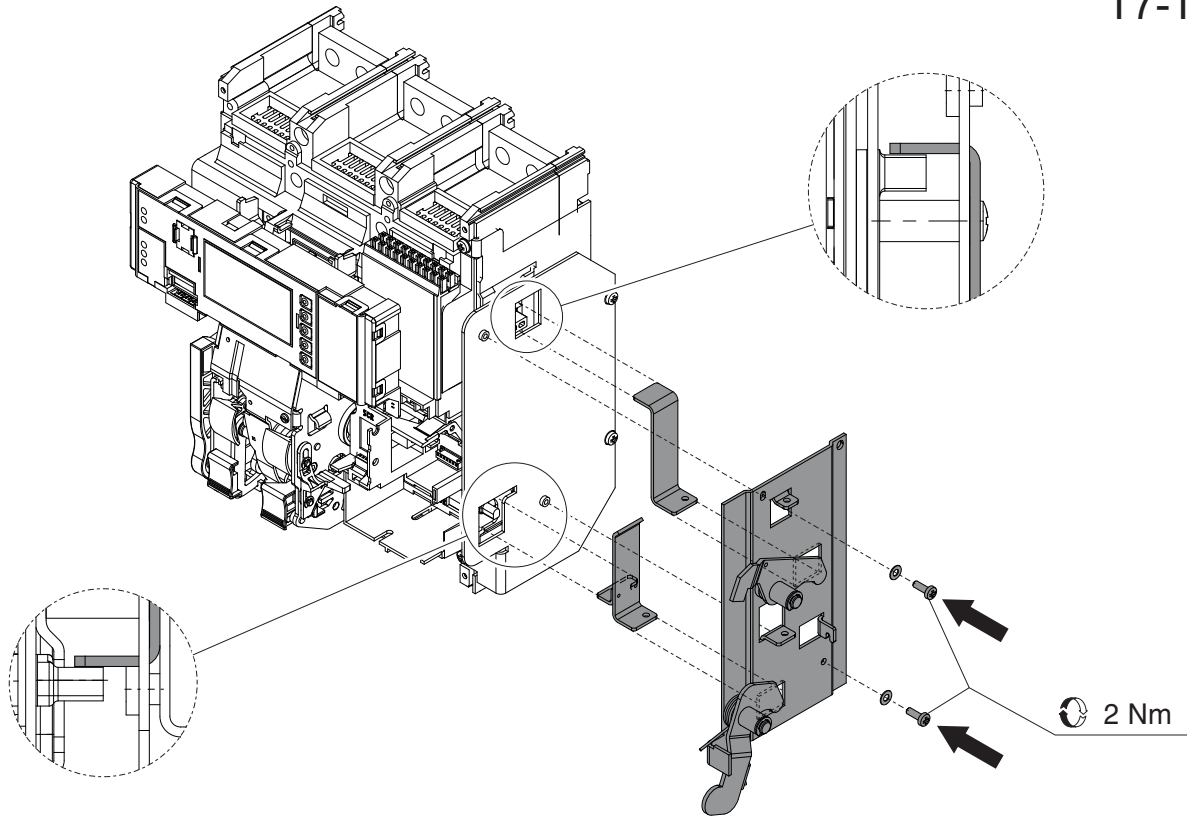
**F****T7-T7M-X1**

FISSO FISSAGGIO PAVIMENTO
 FIXED FLOOR-MOUNTED
 FEST, BODENMONTAGE
 FIXE, MONTAGE SOL
 FIJO, FIJACIÓN DE PISO



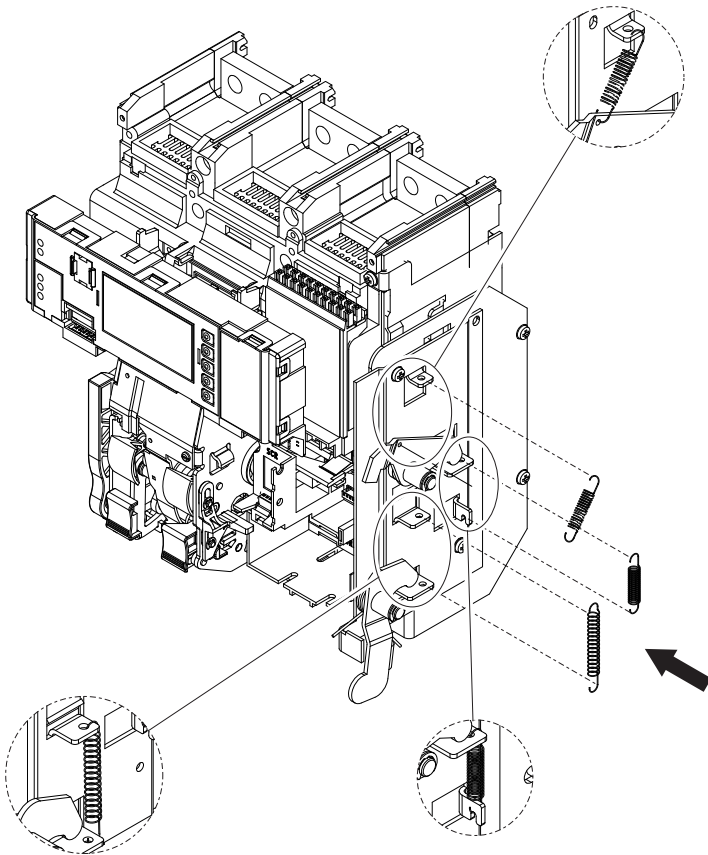
G

T7-T7M-X1



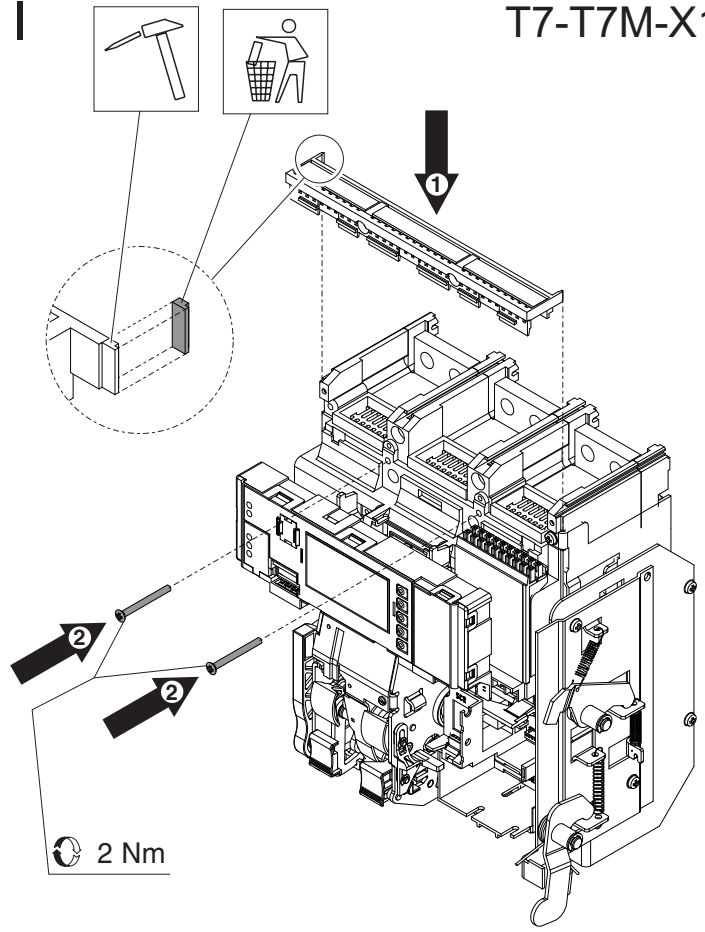
H

T7-T7M-X1



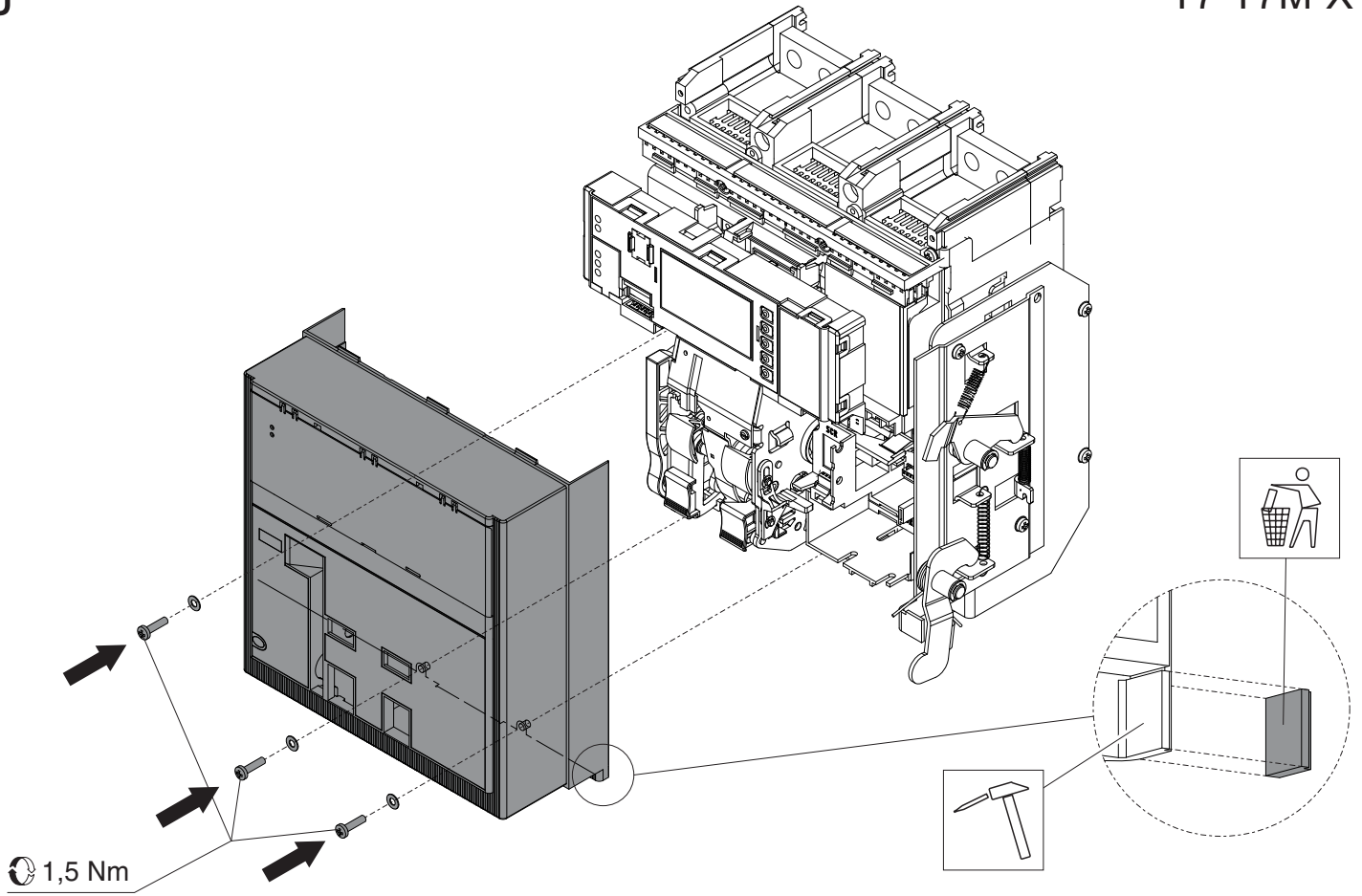
I

T7-T7M-X1



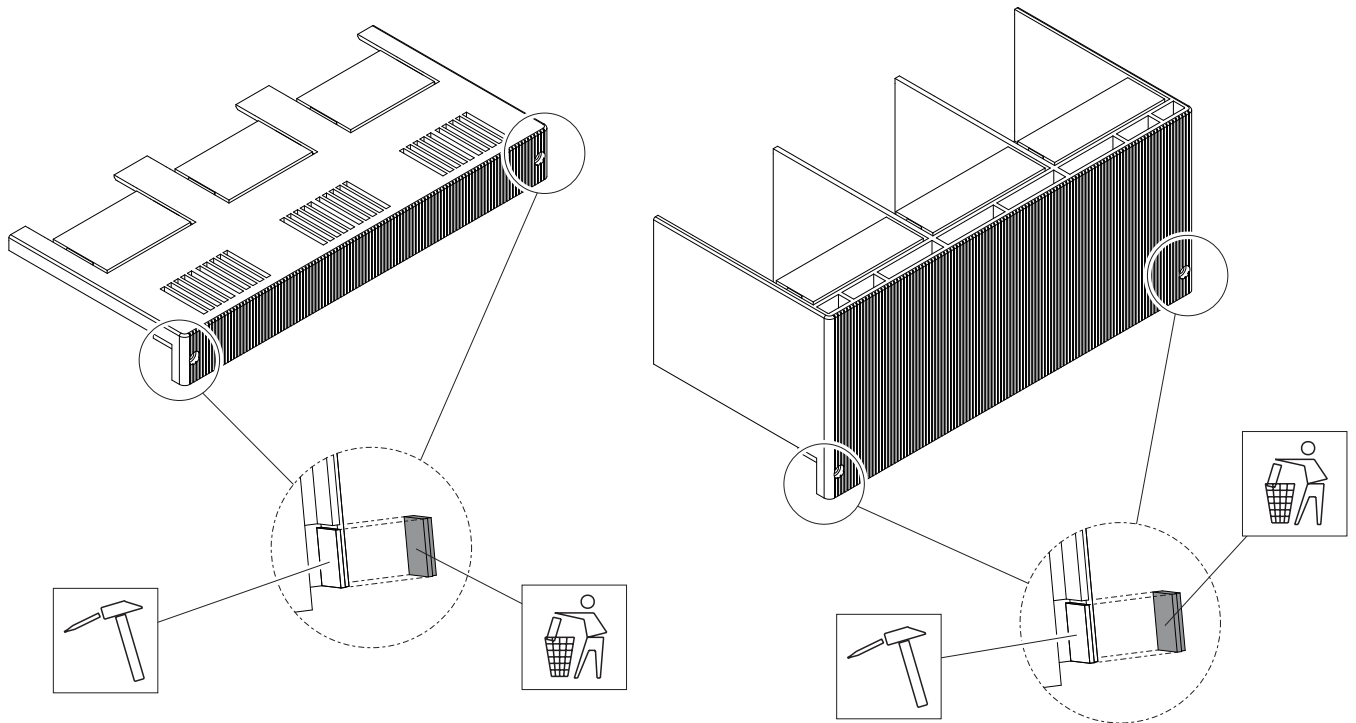
J

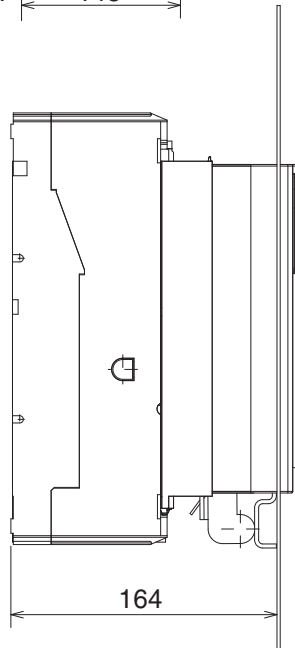
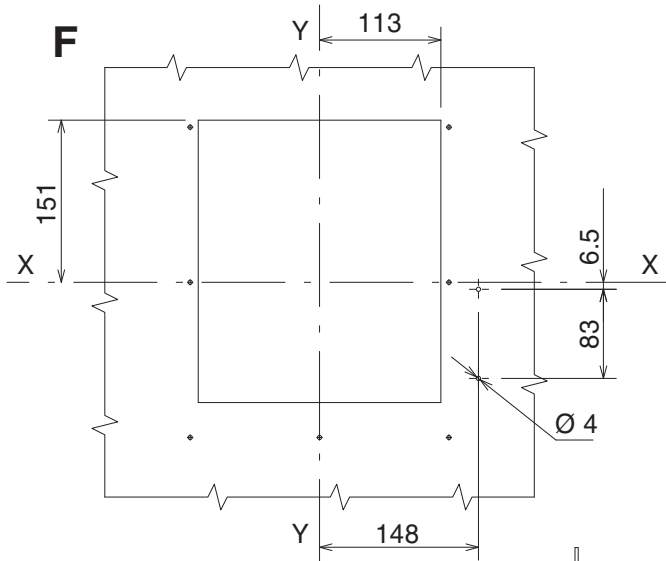
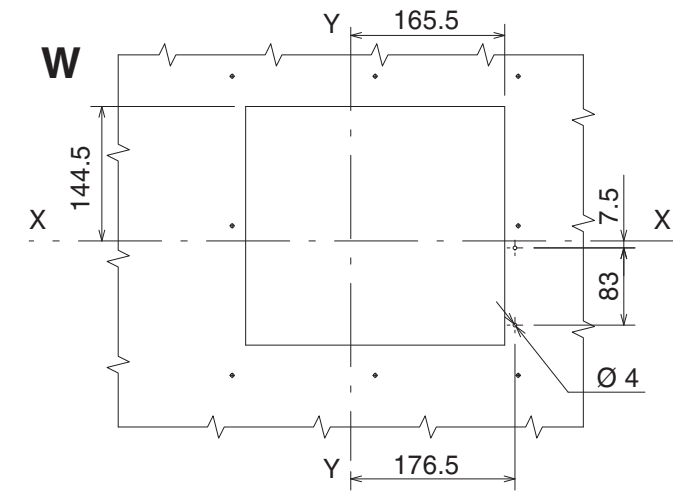
T7-T7M-X1



K

T7-T7M-X1



L**T7-T7M-X1****M****T7-T7M-X1**