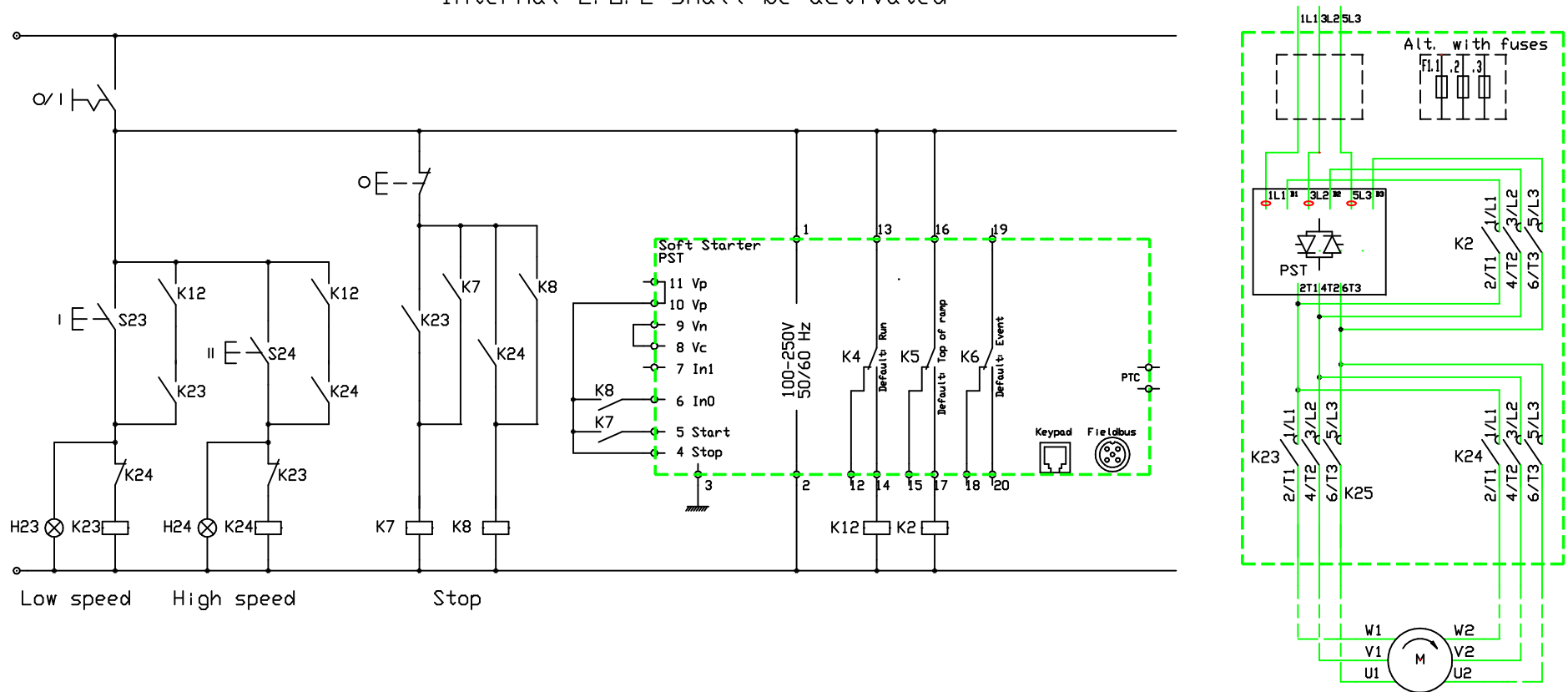


In Line with pole-changing and by-pass
 To be stopped before change of speed
 Start at optional speed
 For motor with two windings
 Input In0 shall be set to Start2
 Internal E. O. L shall be activated

We reserve all rights in this document and in the information contained therein. Reproduction, use or disclosure to third parties without express authority is strictly forbidden. © ABB Control



Prepared T Persson	Responsible department ATCL/ME	Title Application diagram	Lang. 82
Approved T Persson	Take over department	Cont. -	
Revision	Scale	Document No. 1SF B536005G1006	Sheet 1
ABB Control		ISSUED 031008	

Rev	Ind	Year	Week