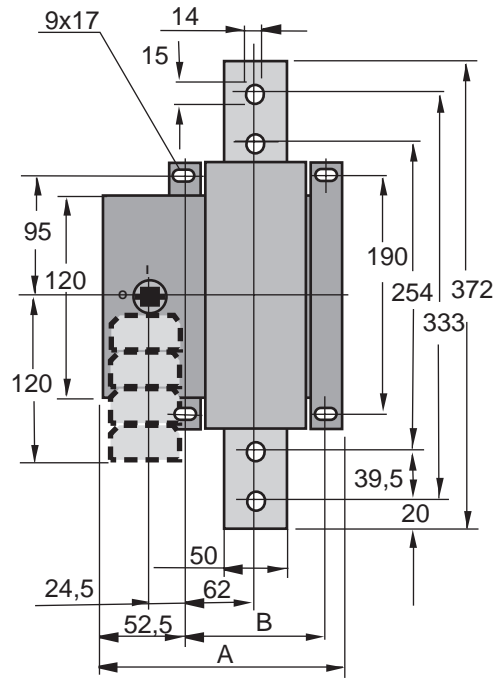
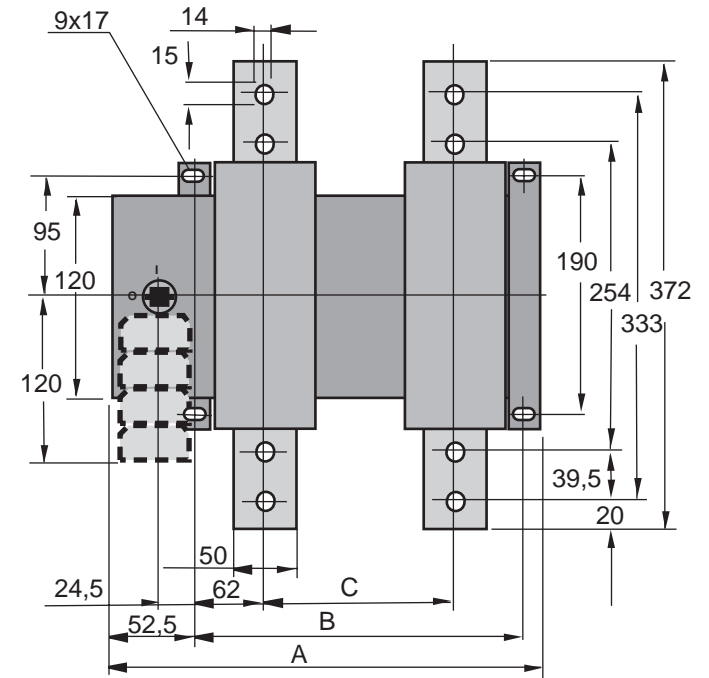


OETL 2500K1
OETL 3150K1



OETL 2500K2
OETL 3150K2



OETL 2500K1...OETL3150K2				
	A	B	C	D
OETL 2500K1	190	125		16
OETL 2500K2	329	264	139	16
OETL 3150K1	190	125		16
OETL 3150K3	329	264	139	16

S01598A

Piirustus No. Document No.	13 OETL2500K1...3150K2 C VL 2237 0626		
Teki Prepared	03-04-10 T Mäkkylä	Tarkasti Checked	Hyväksyi Approved
ABB Oy		Low Voltage Products	