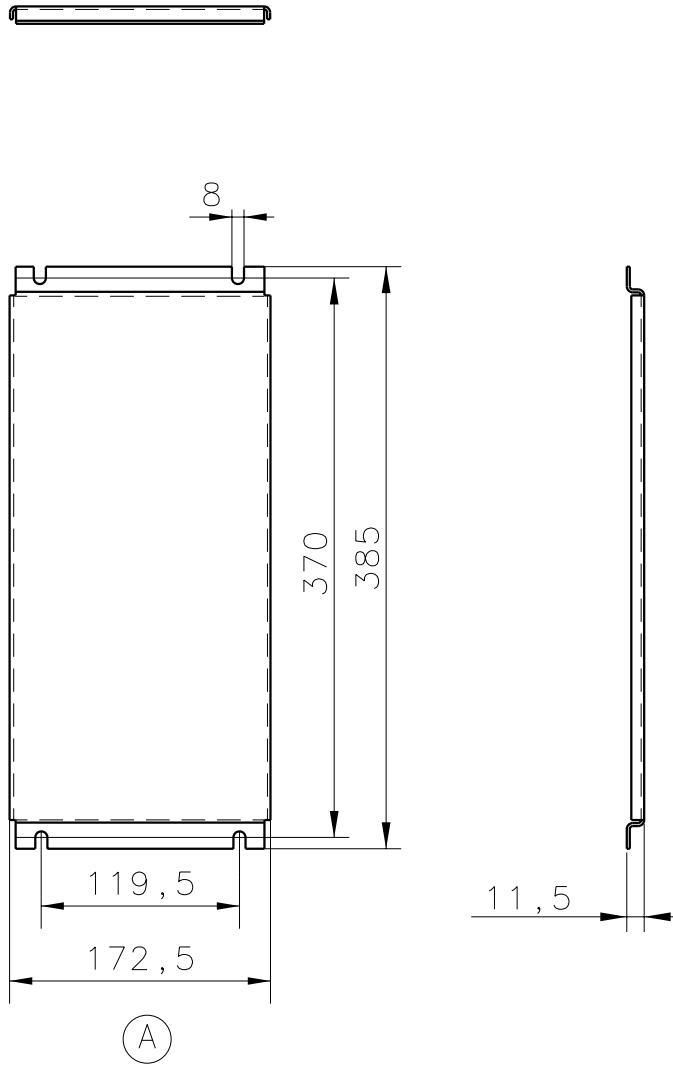


PN185-11

General tolerances ISO 2768-m
 Generella toleranser ISO 2768-m

Rev ind	Revision	Appd	Year	Week
A	measure was 208,5 and 231,5	CH	2007-11-14	

We reserve all rights in this document and in the information contained therein. Reproduction, use or disclosure to third parties without express authority is strictly forbidden. © ABB Control



Prepared kherold	Responsible department SECRL/MM	Title Mounting plate_4	
Approved J Sjoberg 2004-06-21	Take over department	Monteringsplåt	Lang. 82
Revision A 2007-11-16	Scale 1:5	Document No. 5354 0919-85	Cont. -
ABB Control		ISSUED 040210	Sheet 1