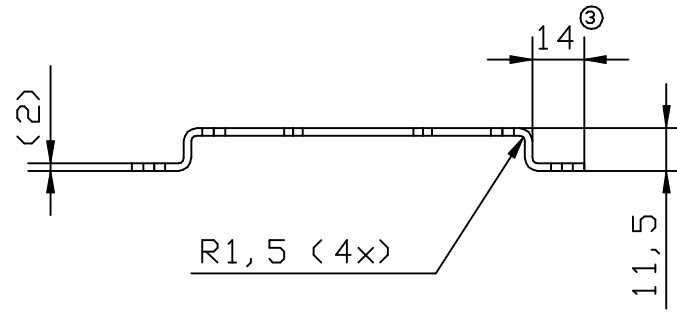
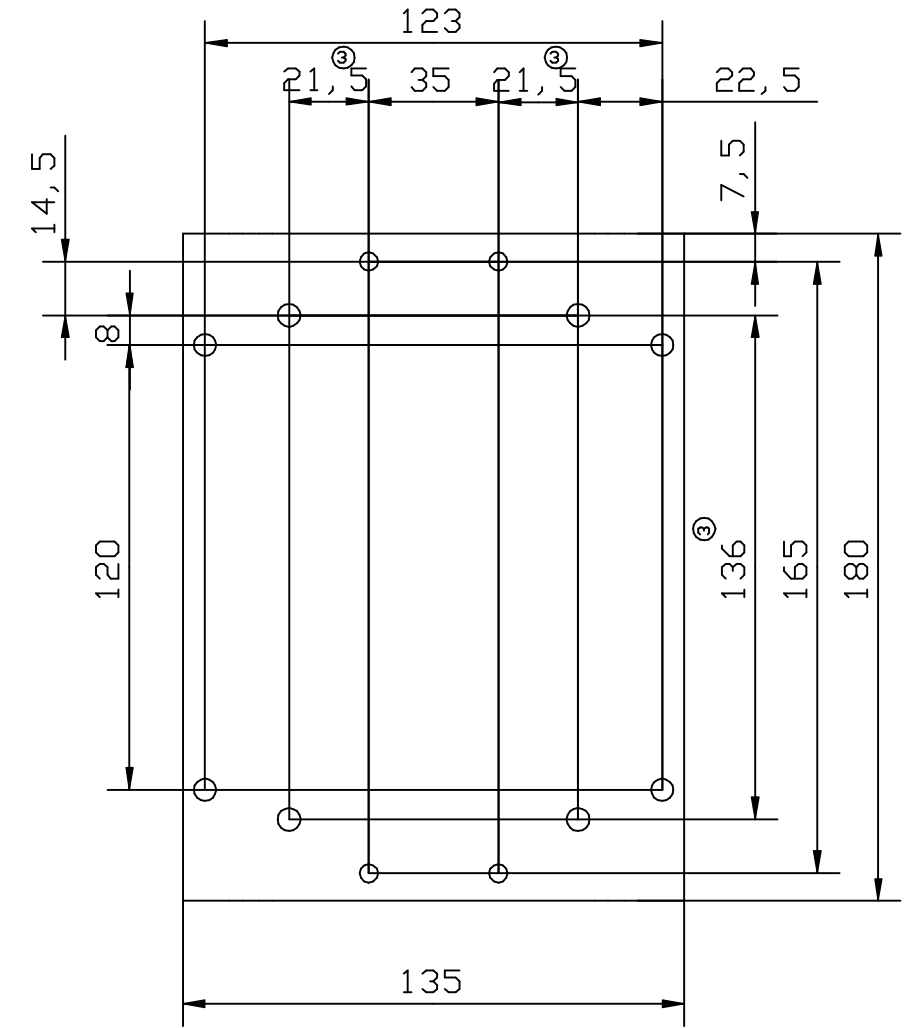
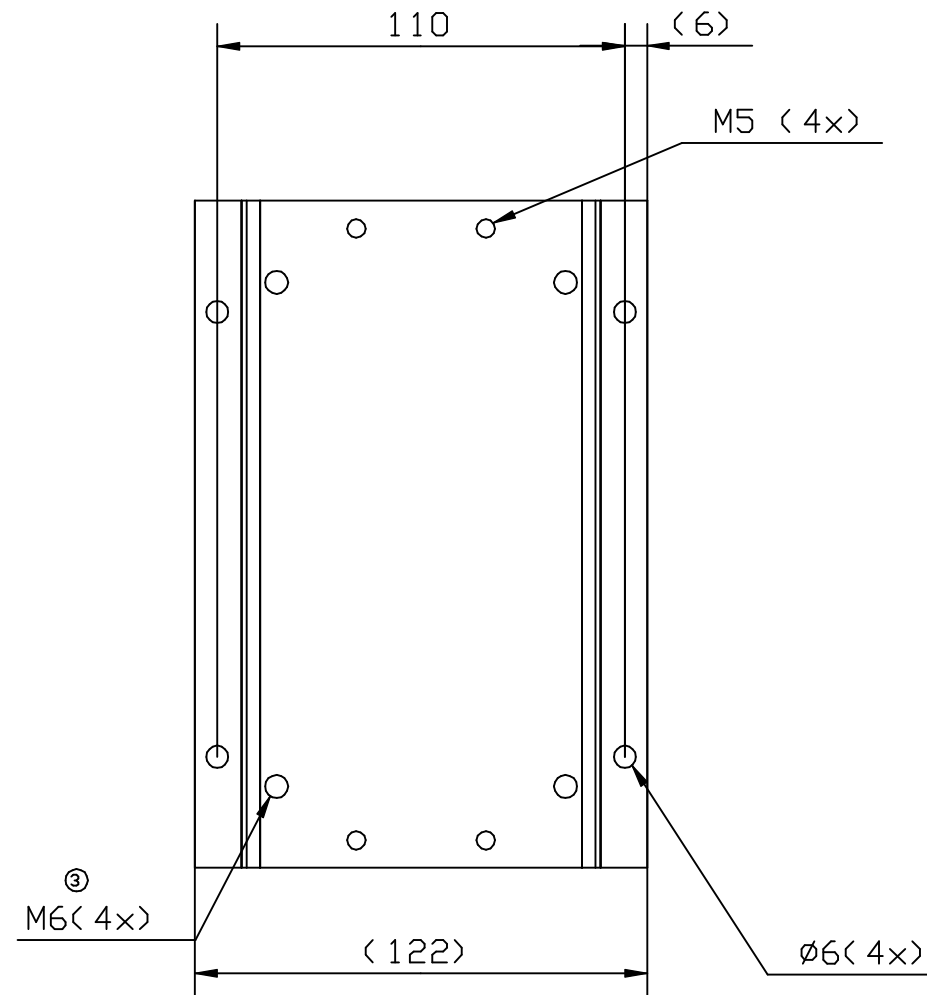


PR 145-1

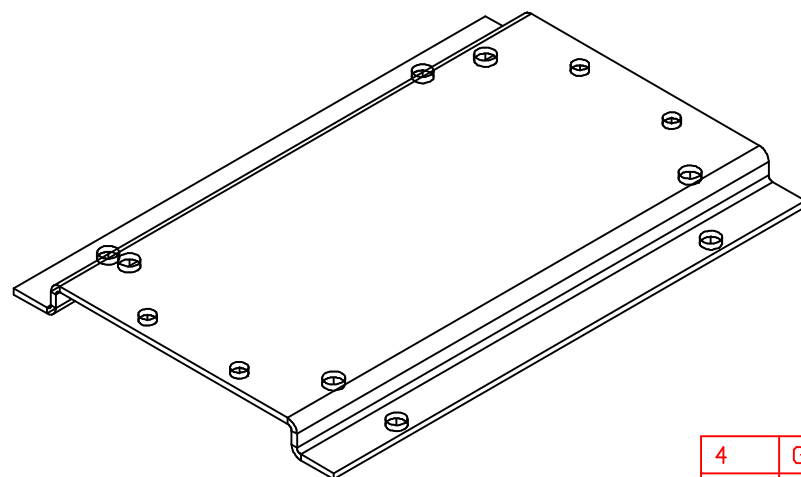


Utbredd



General tolerances ISO 2768-m  
Generella toleranser ISO 2768-m

135x180;



4	Gäller även för AF.	MY	00	43
3	M6 , 21,5 och 136 inf.	MY	99	44
	Mått 14 var 19.			
Rev ind	Revision	Appd	Year	Week

		1SFB 8-844	2 1151-90	T=2;	Sheet of steel Plåt av stål
Quantity	Item No.	Article No.	Material, type, etc	Dimensions	Name of item
Prepared	M Ytterberg	Responsible department	SECRL/AU	Title	Adapter (EH100/145 to A(F)110/145)
Approved	K Herold	Take over department		Adapter plåt	Lang 82
Revision	4	Scale	1:2	Document No.	2161 566-1
ABB ABB Control				ISSUED	Sheet 1

We reserve all rights in this document and in the information contained therein. Reproduction, use or disclosure to third parties without express authority is strictly forbidden. © ABB Control