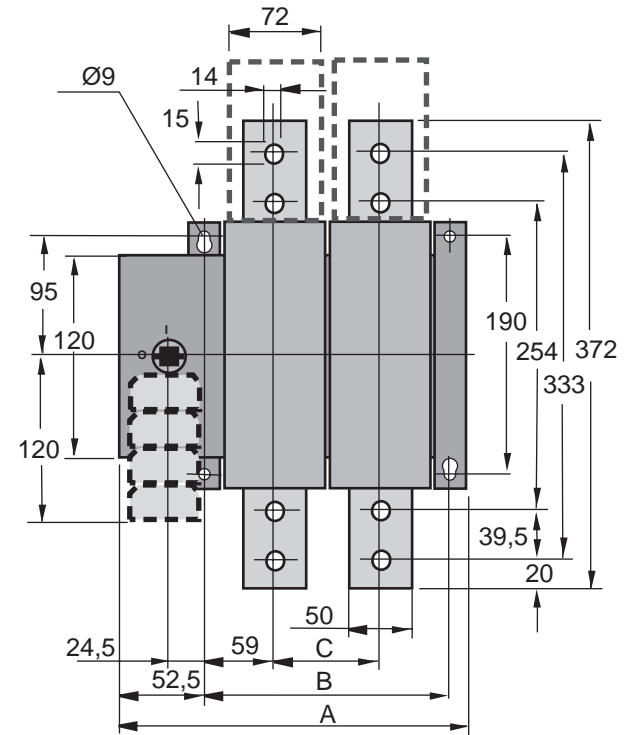
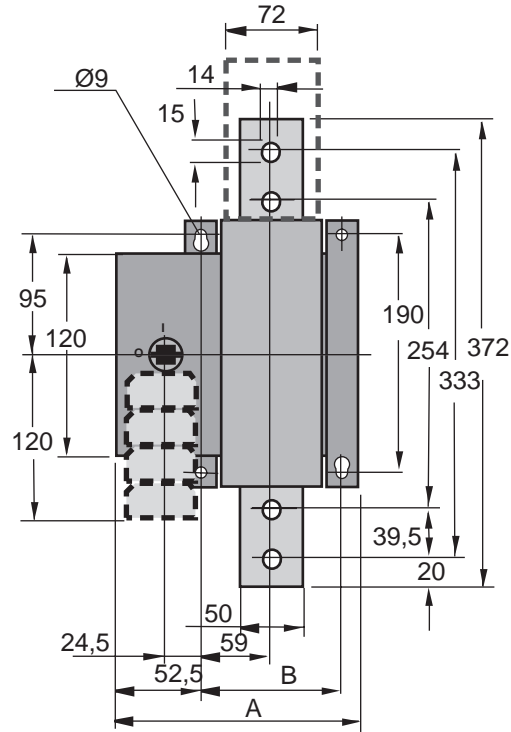
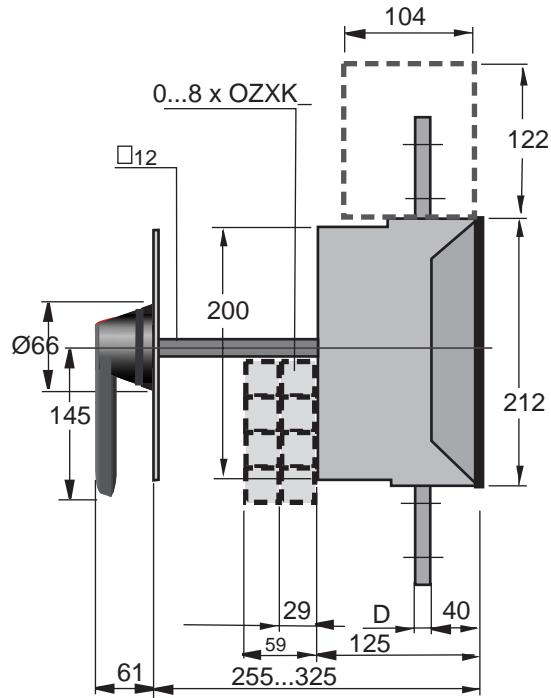


OETL 1000K1
OETL 1250K1
OETL 1600K1

OETL 1000K2
OETL 1250K2
OETL 1600K2



S01597A

OETL 1000K1...OETL1600K2				
	A	B	C	D
OETL 1000K1	183	118	-	12
OETL 1000K2	263	198	80	12
OETL 1250K1	183	118	-	12
OETL 1250K2	263	198	80	12
OETL 1600K1	183	118	-	16
OETL 1600K2	273	208	90	16

Piirustus No. 13 OETL1000K1...1600K2 B		Document No. VL 2237 0651	
Teki Prepared	03-04-10 T Mäkkylä	Tarkasti Checked	Hyväksyi Approved
ABB Oy		Low Voltage Products	