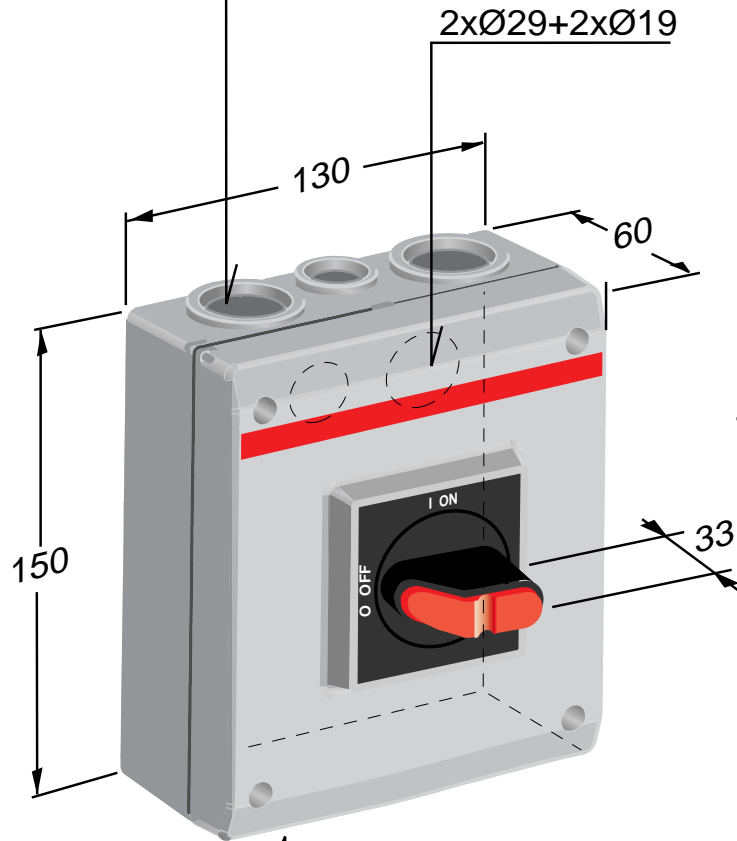


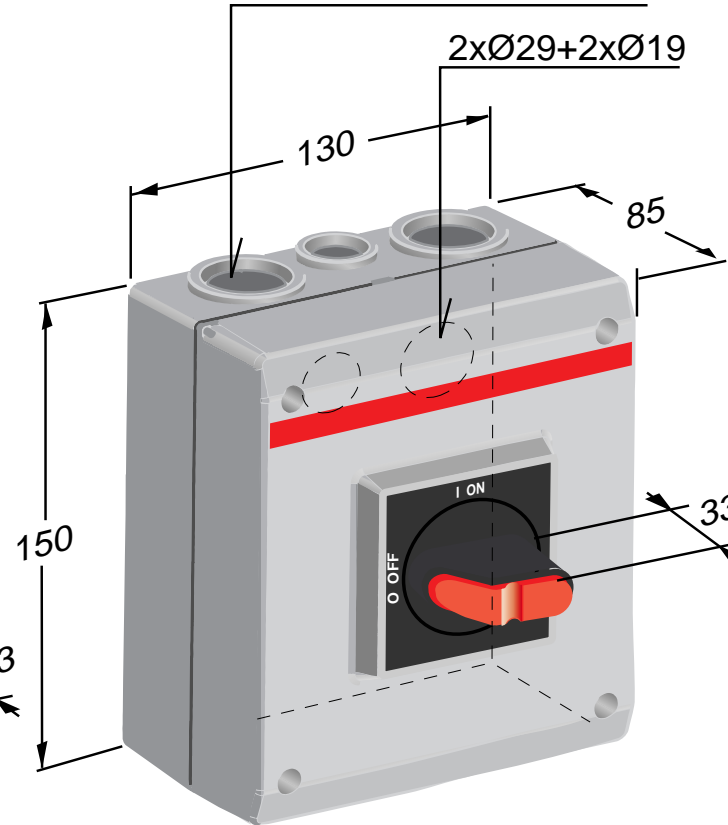
**OTP 16**  
**OTP 25**  
**OTP 32**

OTP \_\_P\_\_ = 2xPg21+Pg11  
 OTP \_\_M\_\_ = 2xM25+M16  
 OTP \_\_U\_\_ = -

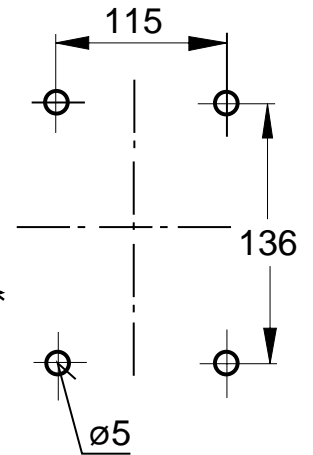


OTP \_\_P\_\_ = 2xPg21+Pg11  
 OTP \_\_M\_\_ = 2xM25+M16  
 OTP \_\_U\_\_ = -

OTP \_\_P\_\_ = 2xPg21+Pg11  
 OTP \_\_M\_\_ = 2xM25+M16  
 OTP \_\_U\_\_ = -



OTP \_\_P\_\_ = 2xPg21+Pg11  
 OTP \_\_M\_\_ = 2xM25+M16  
 OTP \_\_U\_\_ = -



Piirustus No.	13 OTP 16...32_ A		
Document No.	VL 2246 1125		
Teki Prepared	97-08-21 R Laitalainen	Tarkasti Checked	Hyväksyi Approved
ABB Control Oy		Low Voltage Apparatus	