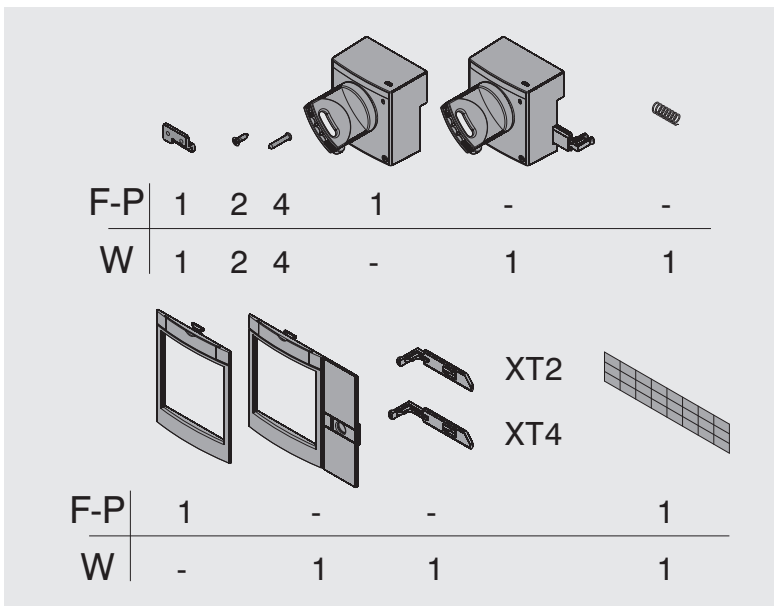
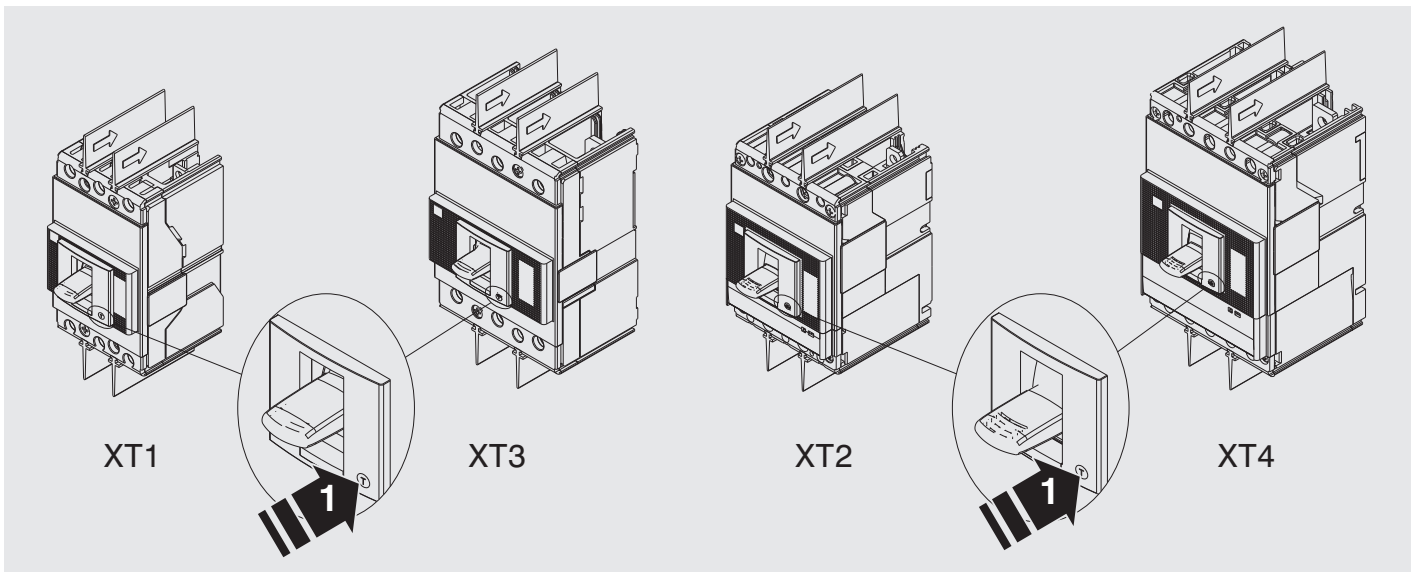


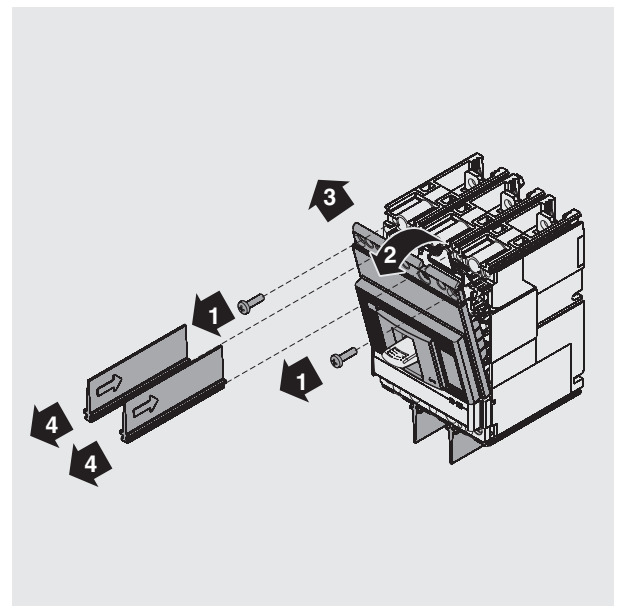
SACE Tmax XT

RHD - Comando a maniglia rotante diretto Tmax XT1-XT2-XT3-XT4
 RHD - Rotary handle operating mechanism direct Tmax XT1-XT2-XT3-XT4
 RHD - Drehhebelantrieb direkt XT1-XT2-XT3-XT4
 RHD - Commande par poignée rotative directe XT1-XT2-XT3-XT4
 RHD - Mando giratorio directo XT1-XT2-XT3-XT4

XT1-XT2-XT3-XT4/III-IV

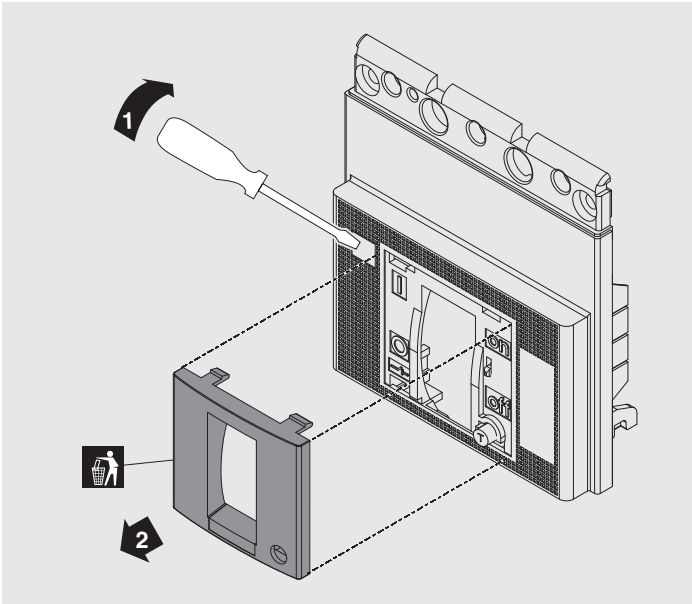


A

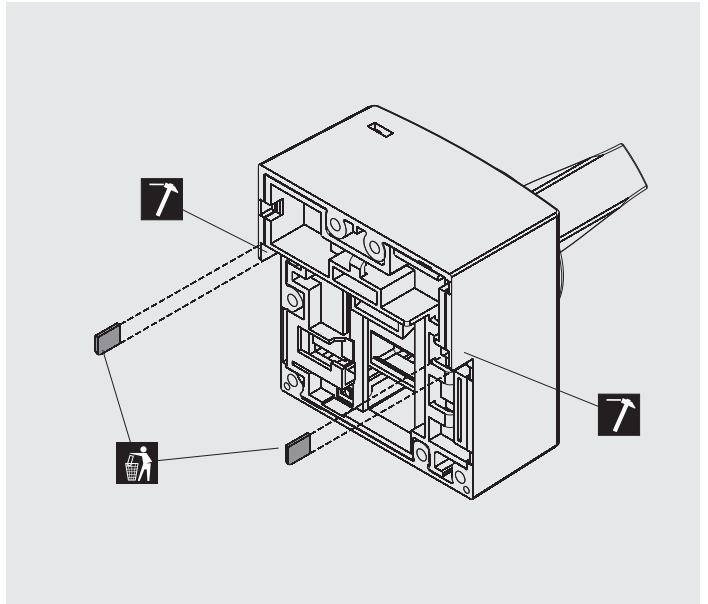


B

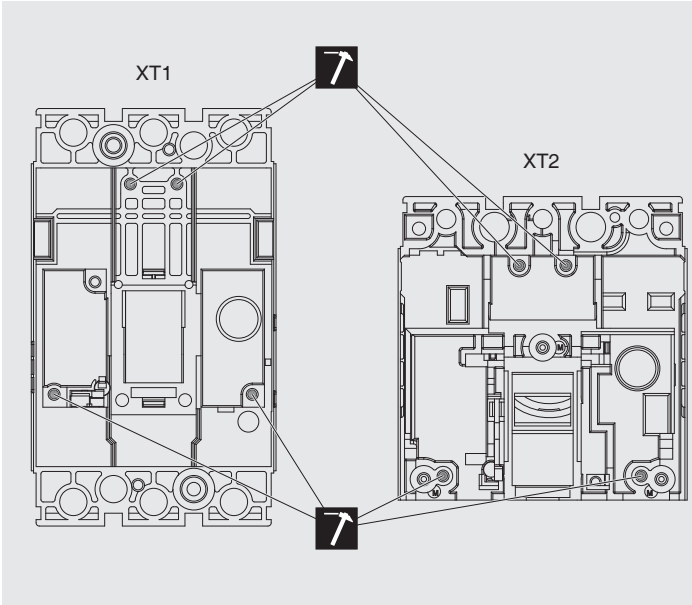
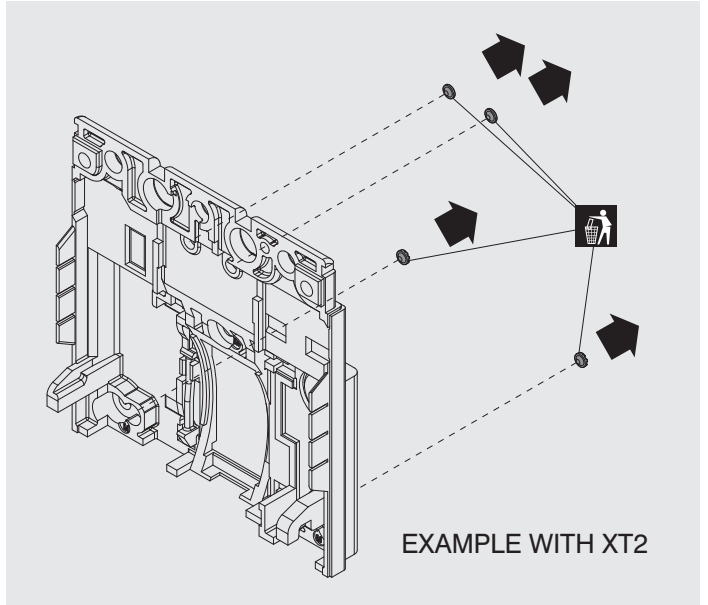
XT1-XT2-XT3-XT4/III-IV

**C**

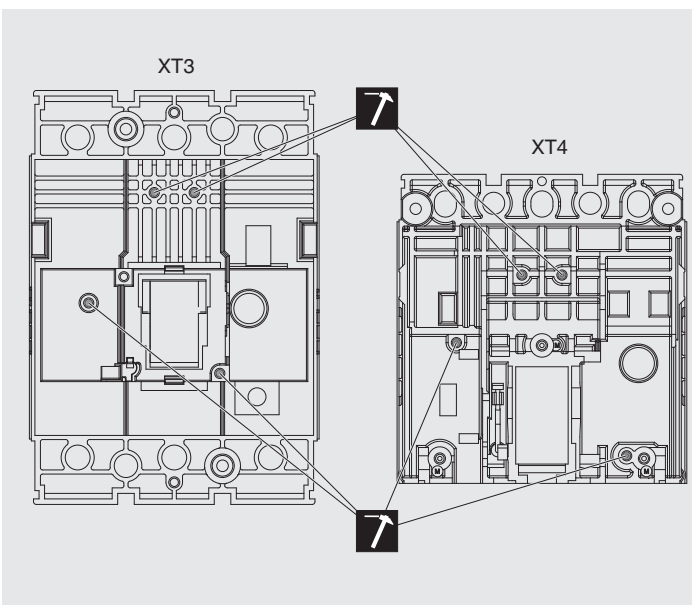
ONLY FOR XT2 - XT4

**D**

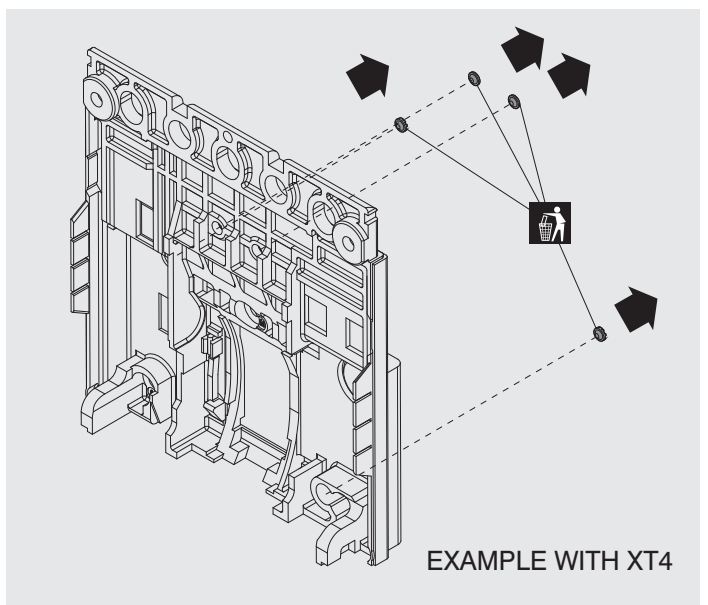
XT1-XT2/III-IV

**E****F**

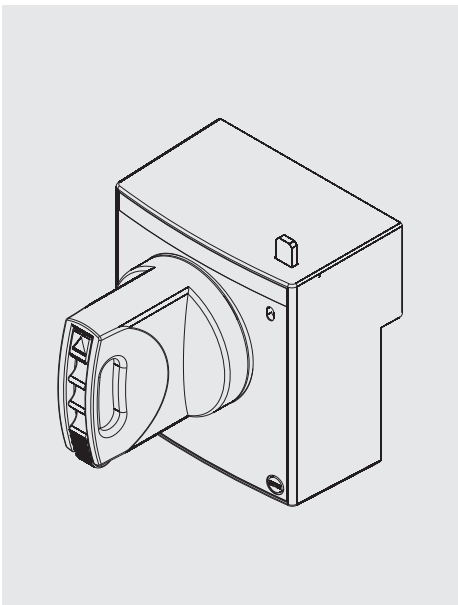
XT3-XT4/III-IV

**G**

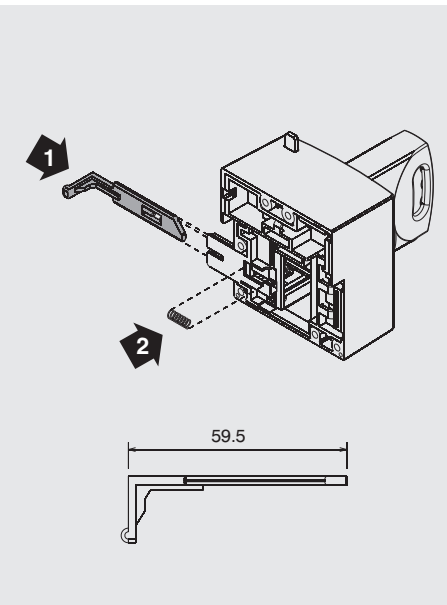
XT3-XT4/III-IV



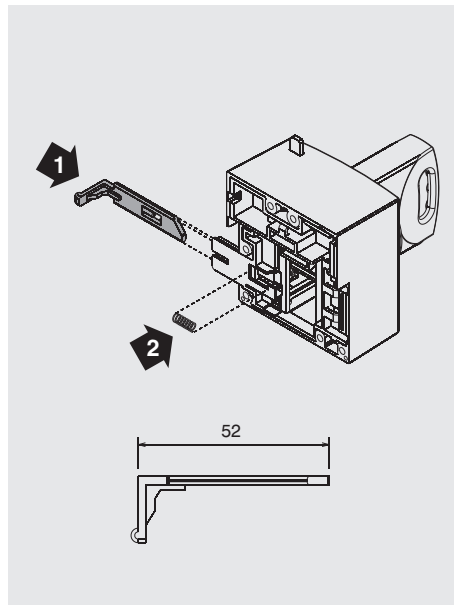
H XT1-XT2-XT3-XT4/F-P



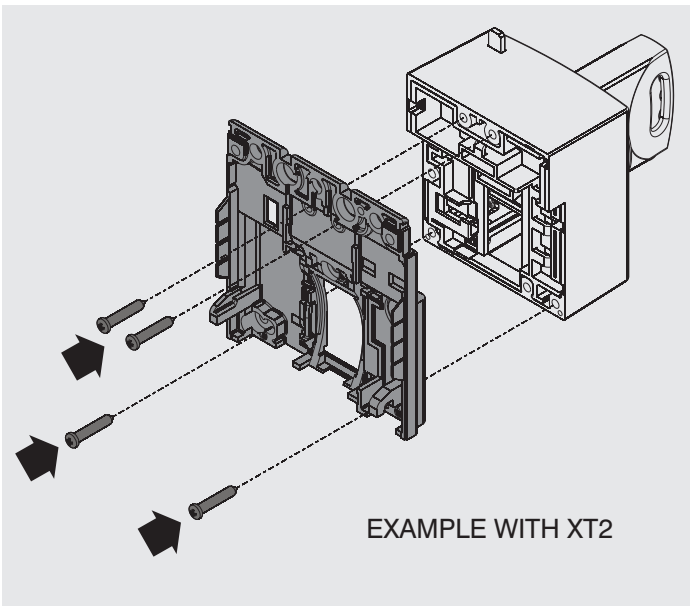
I XT4 W ONLY



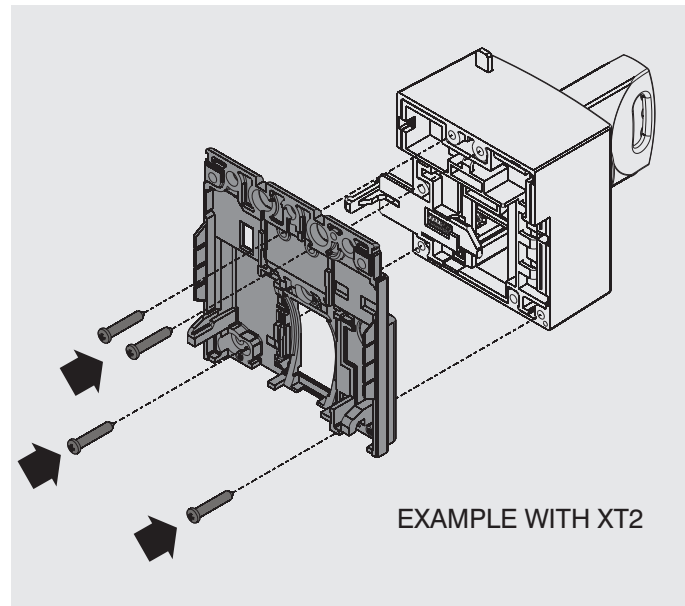
J XT2 W ONLY



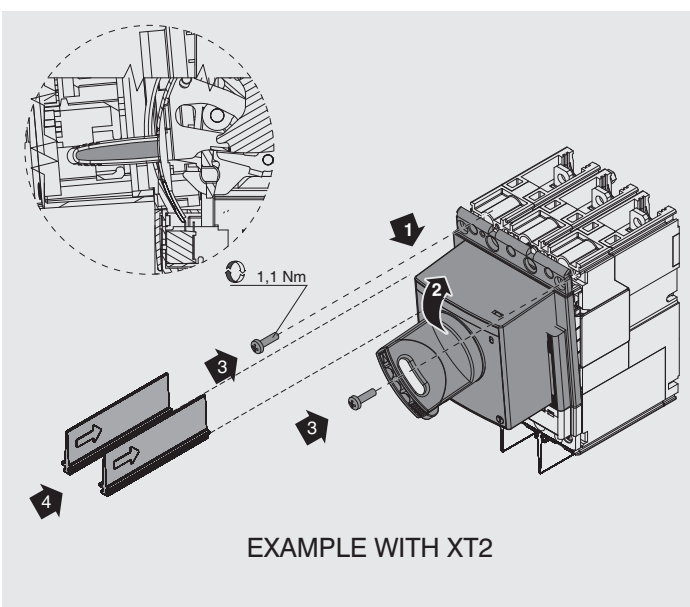
K XT1-XT2-XT3-XT4/F-P



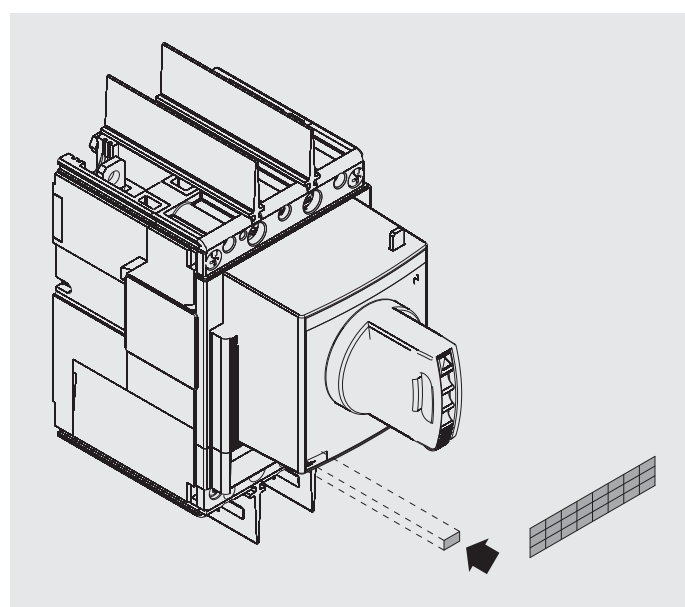
L XT2-XT4 W ONLY



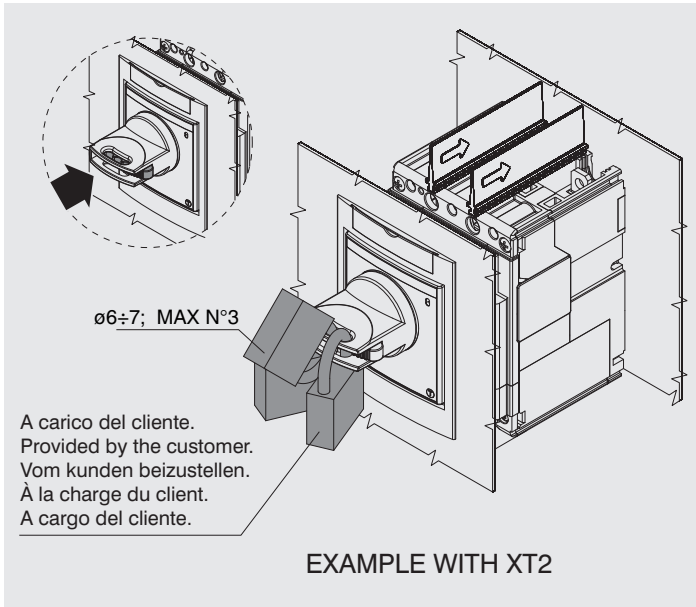
M XT1-XT2-XT3-XT4/F-P



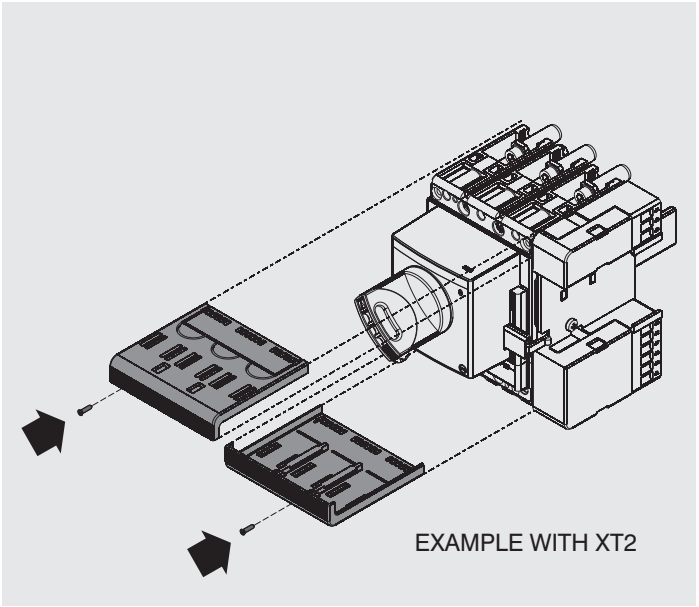
N XT1-XT2-XT3-XT4/F-P



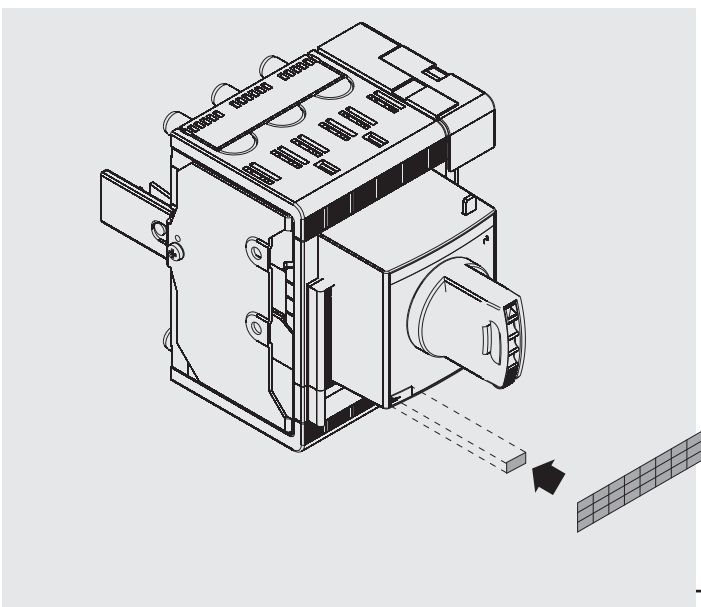
O XT1-XT2-XT3-XT4/F-P



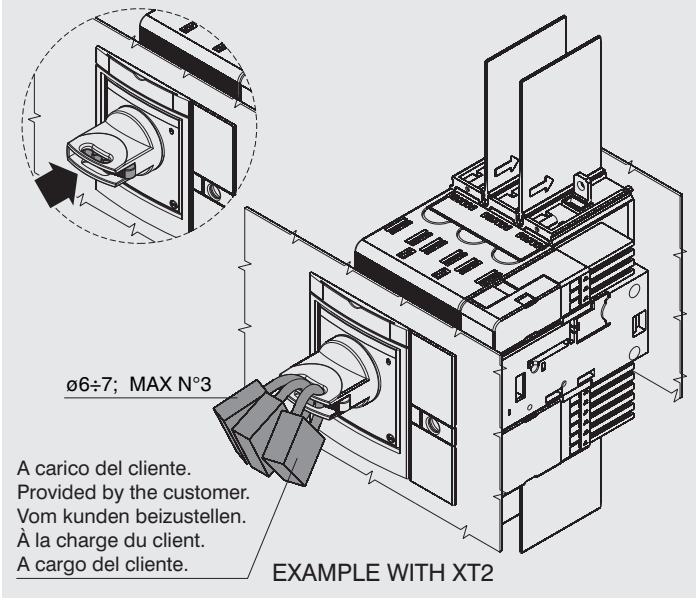
P XT2-XT4/W



Q XT2-XT4/W



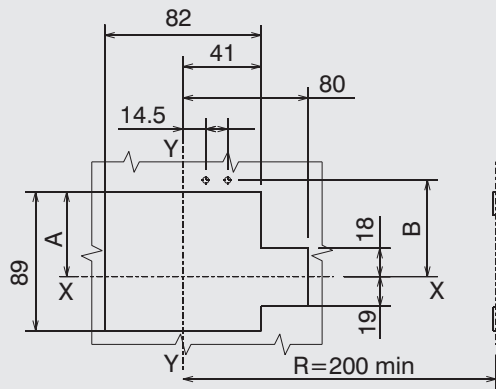
R XT2-XT4/W



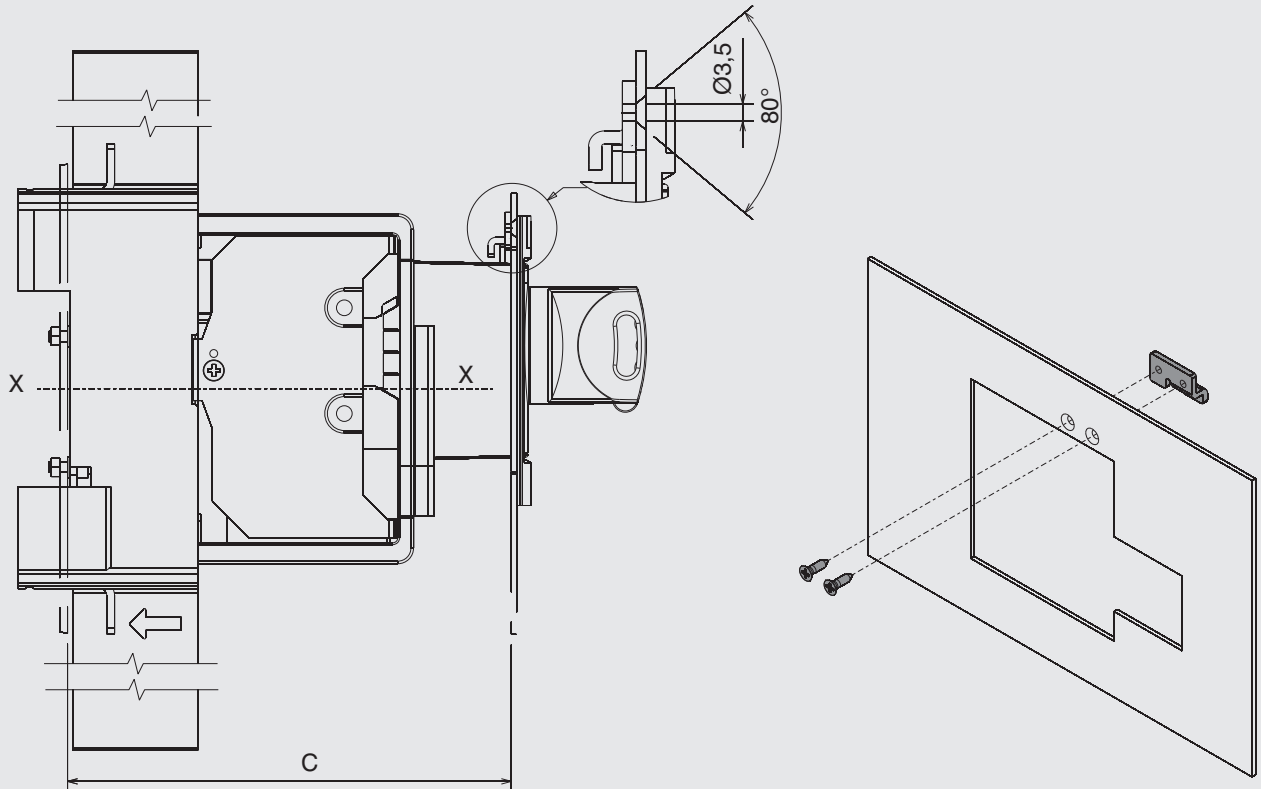
S XT1-XT2-XT3-XT4/F-P

Blocco della porta della cella
 Compartment door interlock
 Verriegelung der Schaltfeldtür
 Verrouillage de la porte du compartiment
 Bloqueo (enclavamiento) de la puerta de la celda

	XT1	XT2	XT3	XT4
A	52,8	54,8	49,3	54,8
B	59,5	61,5	56	61,5
C	108	120	108	120



XT2/XT4	
A	55,3
B	61,5
C	170



For more information please contact:

ABB S.p.A.
 ABB SACE Division
 Via Baioni, 35
 24123 Bergamo - Italy
 Phone: +39 035 395 111
 Fax: +39 035 395 306 - 433

www.abb.com