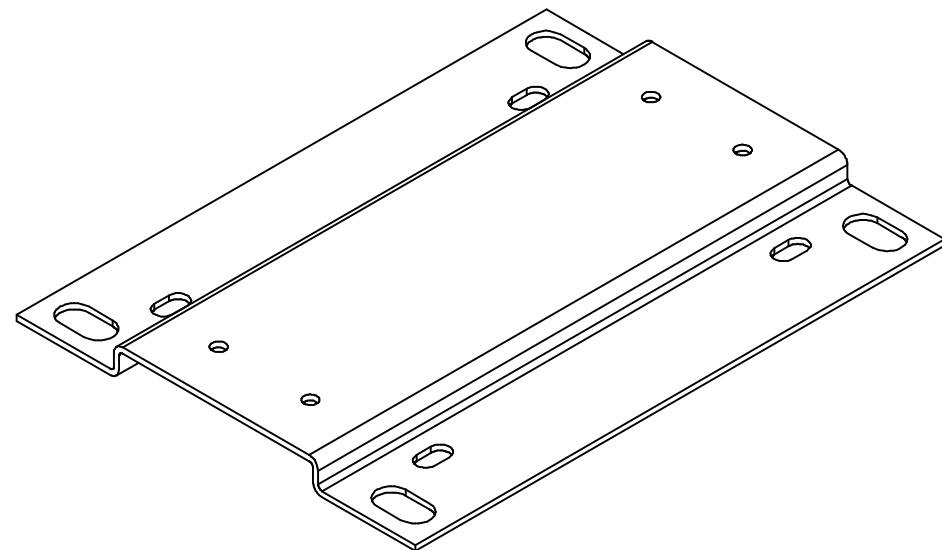
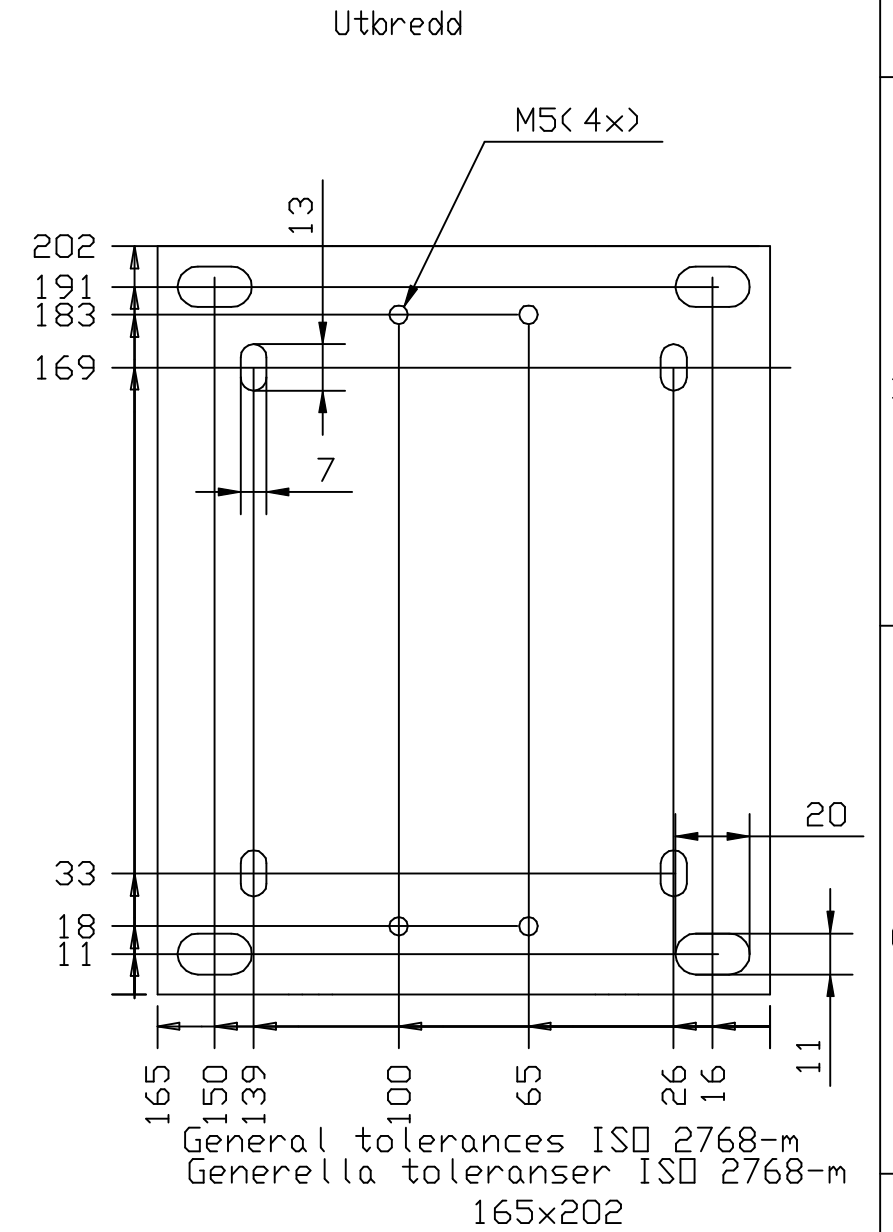
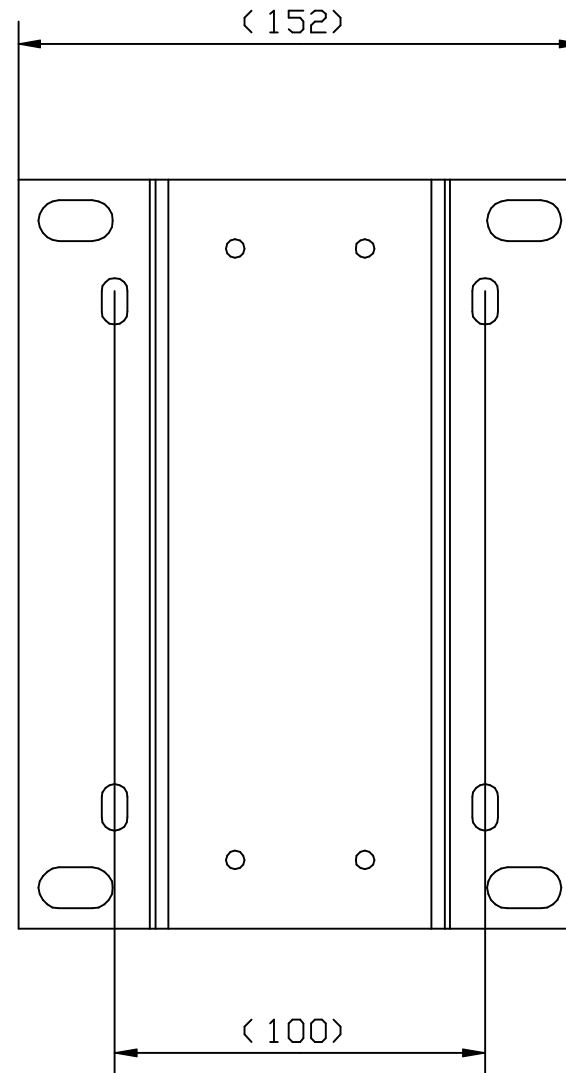
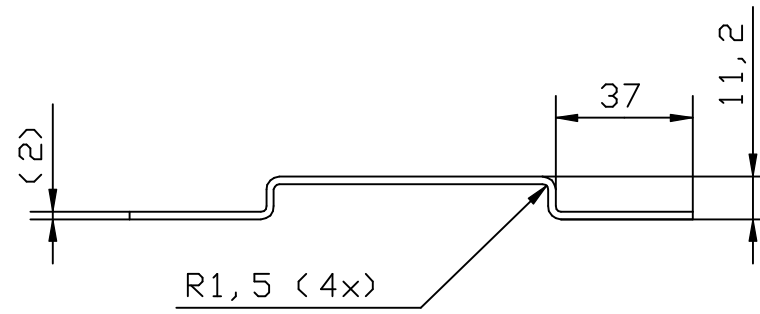


PR 185-2



We reserve all rights in this document and in the information contained therein. Reproduction, use or disclosure to third parties without express authority is strictly forbidden. © ABB Control

2	Gäller även för AF.	MY	00	43
1	Onödiga mått borttaget	MY	00	08
Rev ind	Revision	Appd	Year	Week

	1SFB 8-844	2 1151-90	T=2;	Sheet of steel Plåt av stål			
Quantity	Item No.	Article No.	Material, type, etc	Dimensions	Name of item	Note	
Prepared	M Ytterberg		Responsible department	SECRL/AU		Title	Adapter DKYM150/175 to A(F)185
Approved	K Herold		Take over department			Lang	82
Revision	2		Scale	1:2		Document No.	2161 566-5
ABB			ABB Control		ISSUED	Sheet	1