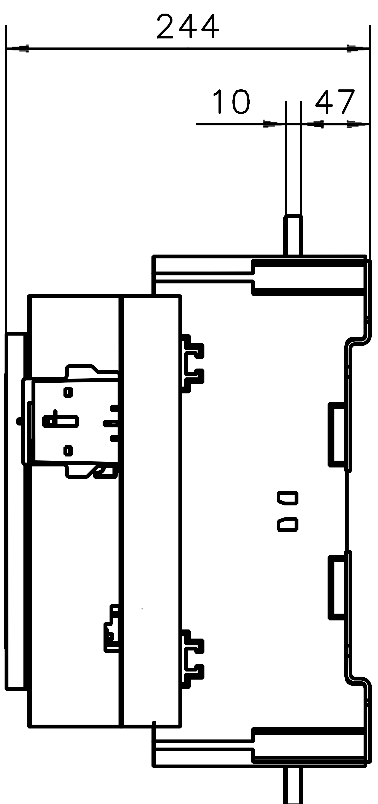
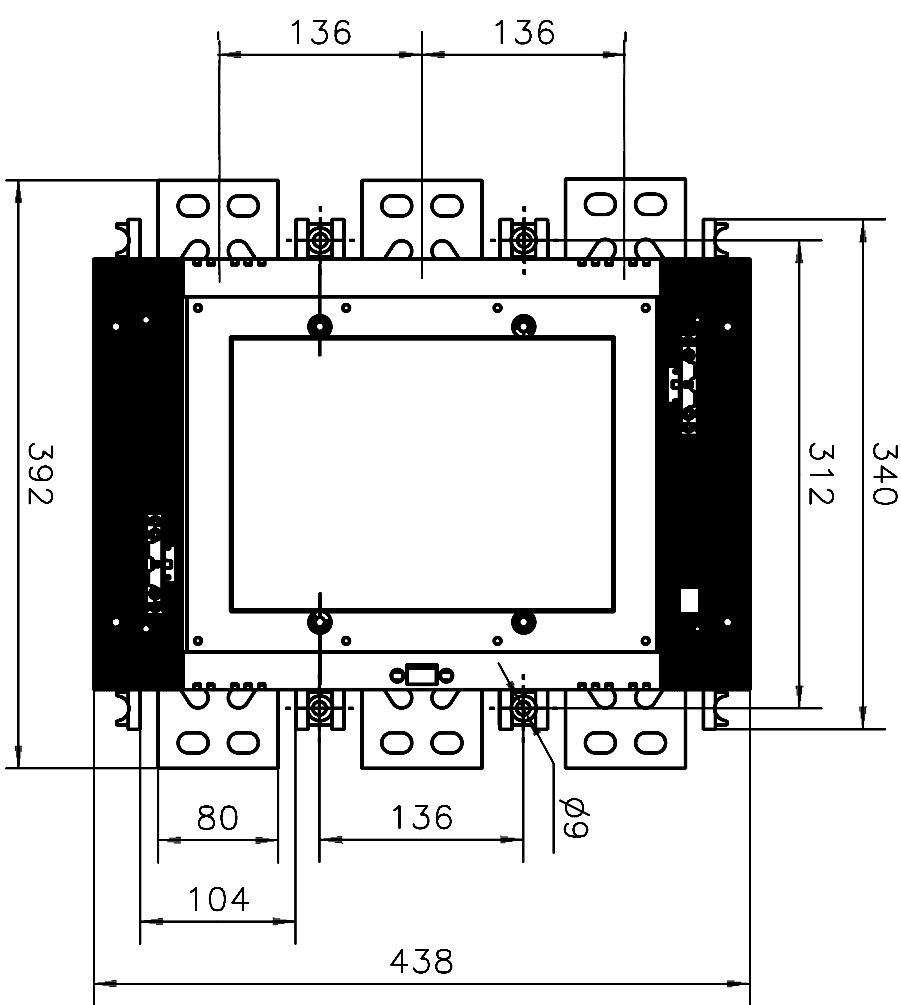
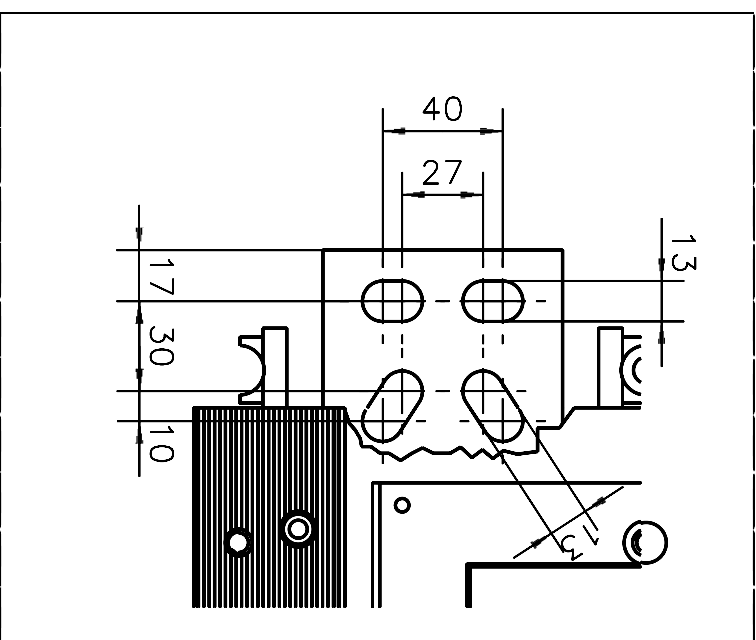
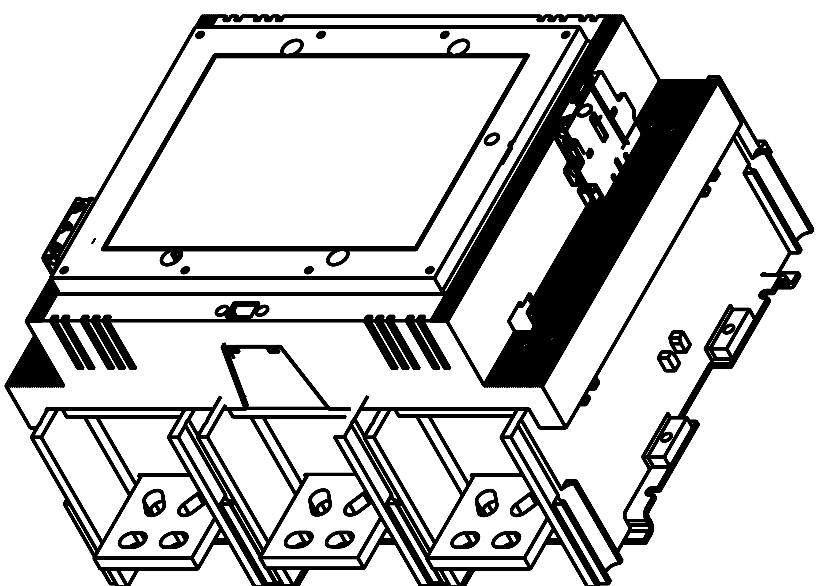
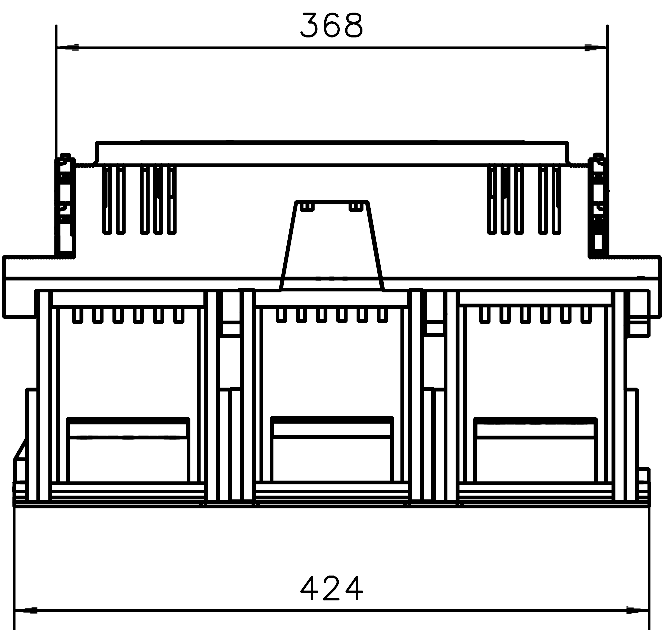


We reserve all rights in this document and in the information contained therein. Reproduction, use or disclosure to third parties without express authority is strictly forbidden. © ABB Control

Dimension drawing AF1350, AF1650



Rev Ind	Revision	Appd	Year	Week

Prepared Eriksson	Responsible department SECR/MLM	Title Dimension Drawing XLA
Approved M Johansson	Take over department	Scale 1:5
Revision	Document No. 5354 0930-7	Long 82
		Cont. -
		Sheet 1

(A3)

V

3

Appd

Year

Week

A

4

5

6

D

C

B

A

D

C

B

A