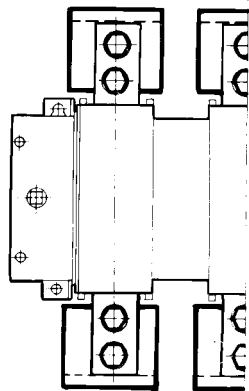
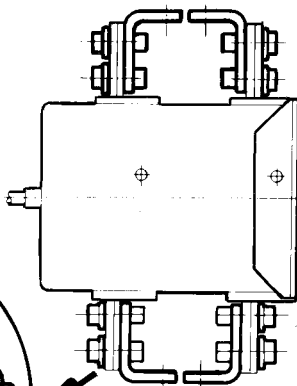
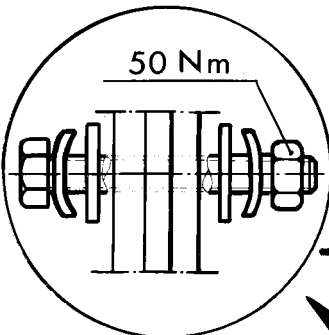


OETLZX 114/1

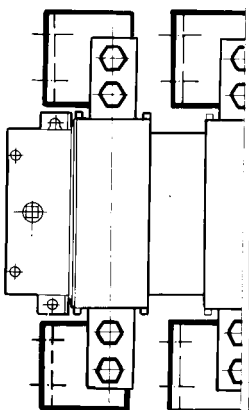
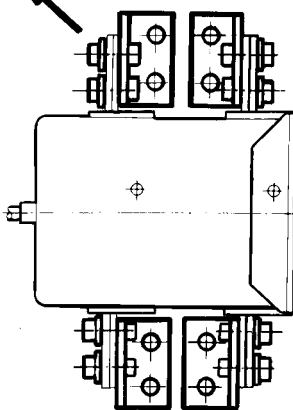
1



50 Nm



2



34 OETLZX 114/1