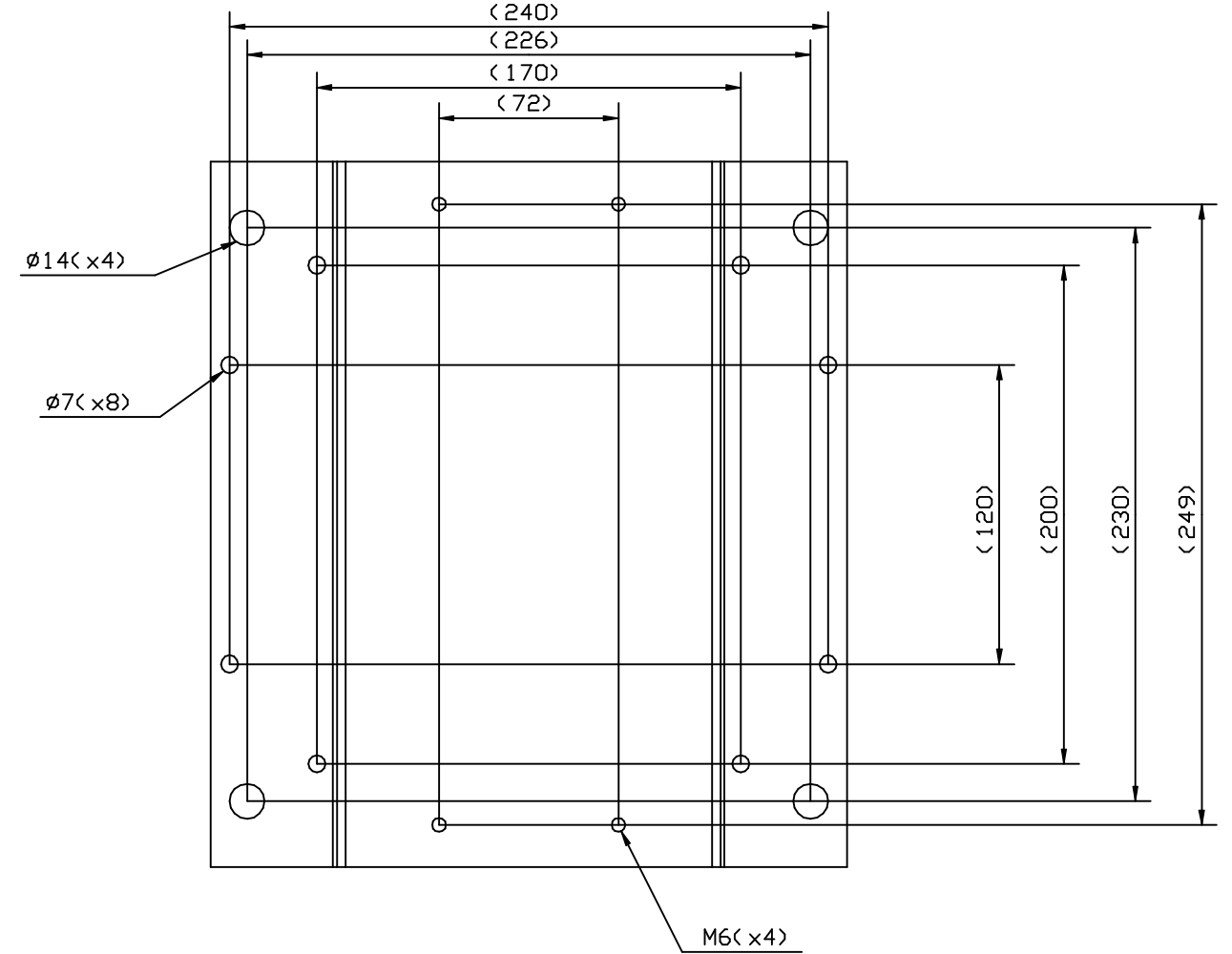
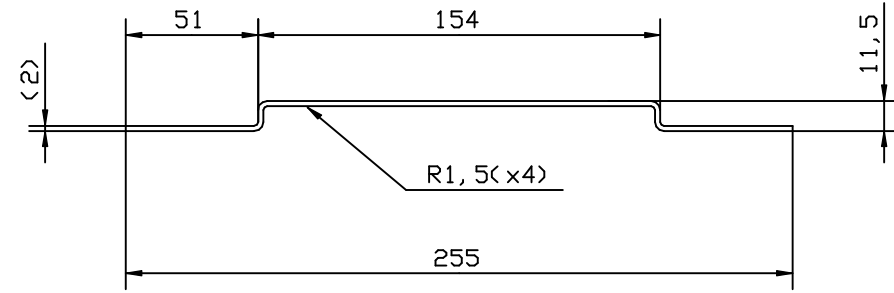
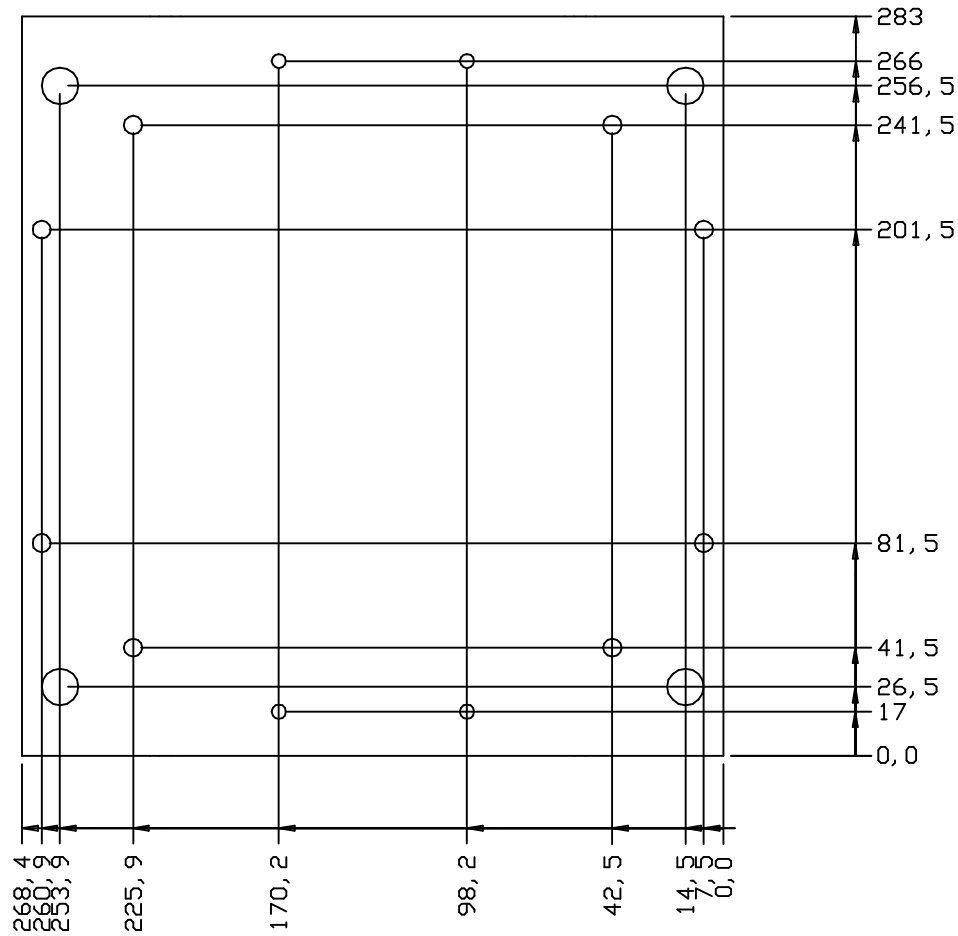


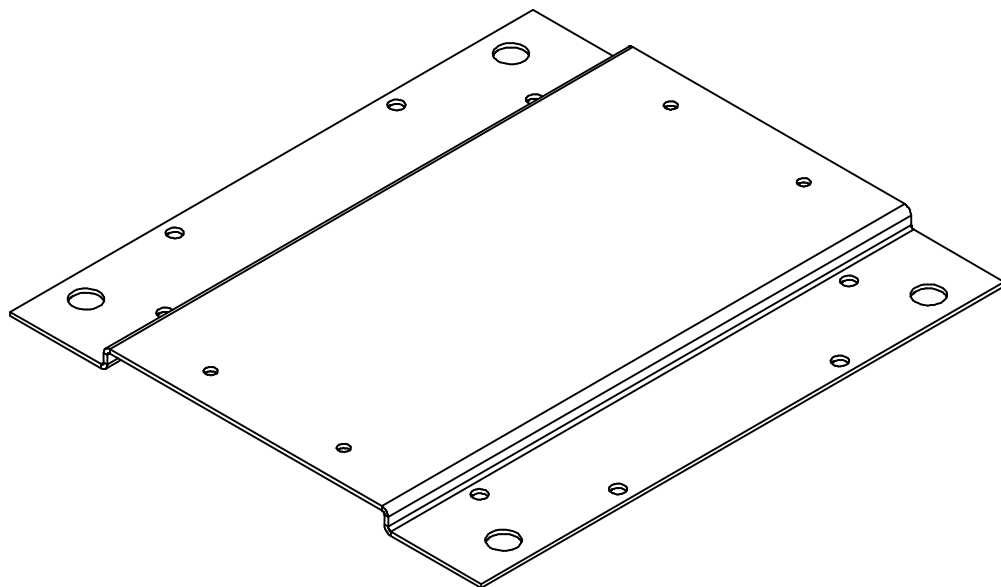
Utbredd



Inside bending radius 1,5
Invändig böckningsradie 1,5

General tolerances ISO 2768-m
Generella toleranser ISO 2768-m

268,4x283



We reserve all rights in this document and in the information contained therein. Reproduction, use or disclosure to third parties without express authority is strictly forbidden. © ABB Control

	1SFB 8-844	2 1151-90	T=2;	Sheet of steel Plåt av stål		
Quantity	Item No.	Article No.	Material, type, etc	Dimensions	Name of item	Note
Prepared	M Ytterberg	Responsible department	SECL/UK	Title		Adapter DKYM630, EH550, EG630-AF580/750
Approved	K Herold 001009	Take over department		Adapterplåt		Lang 82
Revision		Scale	1:2	Document No.		Cont. -
ABB ABB Control			2161 566-17		Sheet 1	
ISSUED						

Rev ind	Revision	Appd	Year	Week