



Autoprotected Surge Arresters New OVR Plus range

A complete solution with the OVR PLUS range



Thanks to its continuous innovation on surge protection, ABB improves constantly its offer by launching on the market new type of Surge Protective Devices. The modular fully coordinated backup protection surge arresters of the OVR Plus family combine a Type 2 surge arrester and a miniature circuit breaker to protect your electric equipment. It widens with the new OVR Plus N3, completing the existing OVR Plus N1.

Thanks to the integrated backup miniature circuit breaker, you do not have to worry about specific coordination requirements with the backup protection.

Main features: the OVR Plus family benefits from ABB innovation !

- Arrester with fully coordinated backup MCB
- High discharge capacity (15 and 40 kA I_{max})
- High maximum operating voltage (U_c): 320 V
- High reliability due to the no welding and specific thermal disconnection
- Auxiliary contact from the ABB modular range
- Easy wiring with the complete ABB DIN rail mounted devices

Applications

With the new OVR Plus N3, the OVR Plus range can protect your equipment and electrical installations on all type of applications, from residential to industry in most of the electrical networks (TT and TNS configuration).

The OVR Plus range insures the effective protection of your electric equipments and low-voltage consumer's installations against surges.



OVR PLUS N3 15 OVR PLUS N3 40

NEW

Commercial and industrial applications



Autoprotected

Backup miniature circuit breaker integrated and fully coordinated with the surge arrester.

Easy installation

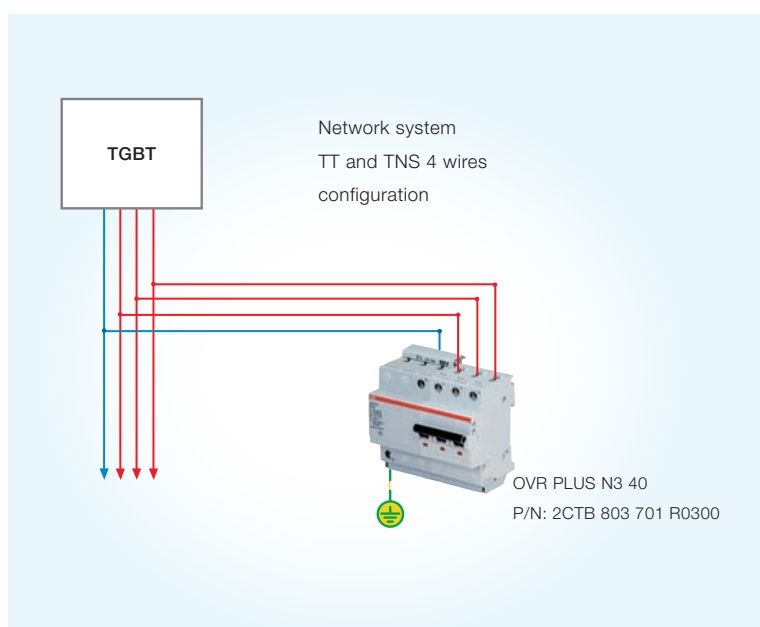
Fully coordinated unit with easy wiring with the complete ABB proM modular range.

High discharge capacity

With I_{max} 15 and 40 kA the OVR Plus N3 insure the protection of your low voltage installations and electric equipment.

High reliability

No welding inside the module and specific thermal disconnection with the "bilame" sensor.



OVR PLUS N1 40

Residential application

Autoprotected

Backup miniature circuit breaker integrated and fully coordinated with the surge arrester.

Compact

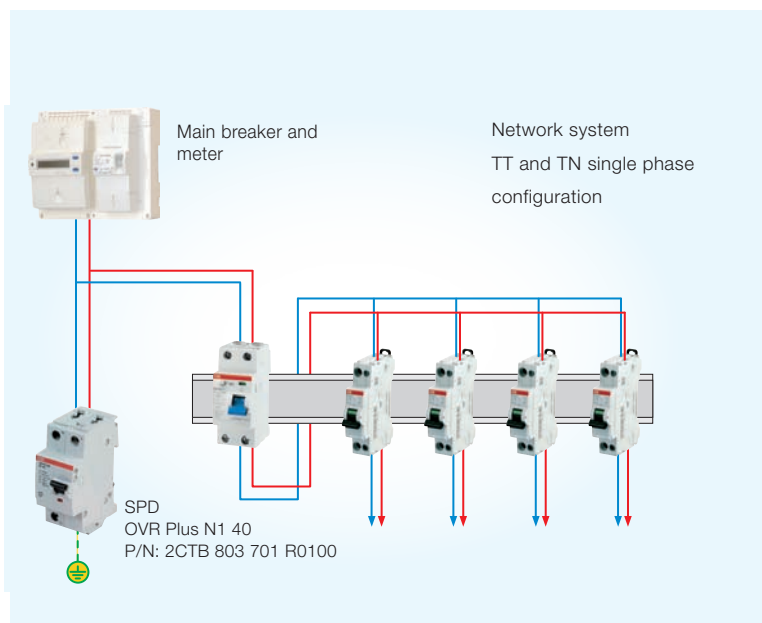
Only two modules (36mm width), means more space and easy wiring with the complete ABB DIN rail range.

High discharge capacity

with I_{max} 40 kA the OVR Plus N1 can protect your electric equipment against high surges.

High reliability

No welding inside the module and specific thermal disconnection.



Autoprotected surge arrester



Types	OVR PLUS N3 15	OVR PLUS N3 40	OVR PLUS N1 40
Order codes	2CTB 803 701 R0400	2CTB 803 701 R0300	2CTB 803 701 R0100

Characteristics

Network		TT-TNS	TT-TNS	TT-TNS
Number of modules		6	6	2
Type / Test class		T2 / II	T2 / II	T2 / II
Type of current		AC	AC	AC
Nominal voltage	U_n	V 230	230	230
Max. continuous operating voltage	U_c	V 320	320	320
Voltage protection level under I_n (L/N-N/PE)	U_p	kV 1.3 / 1.5	2 / 1.5	1.6 / 1.5
Voltage protection level under 3 kA (L/N-N/PE)	U_{res}	kV 1.1 / 1	1.1 / 1	1/0.6
Nominal discharge current (8/20 μ s)	I_n	kA 5	20	20
Max. discharge current (8/20 μ s)	I_m	kA 15	40	40
Response time		ns < 25	< 25	< 25
Operating current	I_c	mA < 1	< 1	< 1
Short-circuit withstand at I_n	I_{cc}	kA 10	15	15
Integrated backup protection		Yes (MCB)	Yes (MCB)	Yes (MCB)
Auxiliary contact		Option: S2C-H6R P/N: 2CDS 200 912 R0001	Option: S2C-H6R P/N: 2CDS 200 912 R0001	Option: S2C-H6R P/N: 2CDS 200 912 R0001
Degree of protection		IP 20	IP 20	IP 20

Mechanical characteristics

Wiring range Ph/N	solid	mm²	2.5 to 25	2.5 to 25	2.5 to 25
	stranded	mm²	2.5 to 16	2.5 to 16	2.5 to 16
Stripping length Ph/N		mm	11	11	11
Tightening torque Ph/N		Nm	2.8	2.8	2.8
Wiring range PE	solid	mm²	2.5 to 25	2.5 to 25	2.5 to 25
	stranded	mm²	2.5 to 16	2.5 to 16	2.5 to 16
Stripping length PE		mm	11	11	11
Tightening torque PE		Nm	2.8	2.8	2.8

Other characteristics

Operating temperature range	°C	-20 to +80	-20 to +80	-20 to +80
Maximal altitude	m	2000	2000	2000
Weight	g	790	790	260
Reference standards		IEC 61643-1 and IEC 61643-11	IEC 61643-1 and IEC 61643-11	IEC 61643-1 and IEC 61643-11

Contact us

ABB France
Division Produits Basse Tension
Pôle Foudre Soulé & Hérita

As part of its on-going product improvement, ABB reserves the right to modify the characteristics or the products described in this document. The information given is not-contractual. For further details please contact the ABB company marketing these products in your country.

1TXH 000 045 B0201 - Printed in France (11-2010)