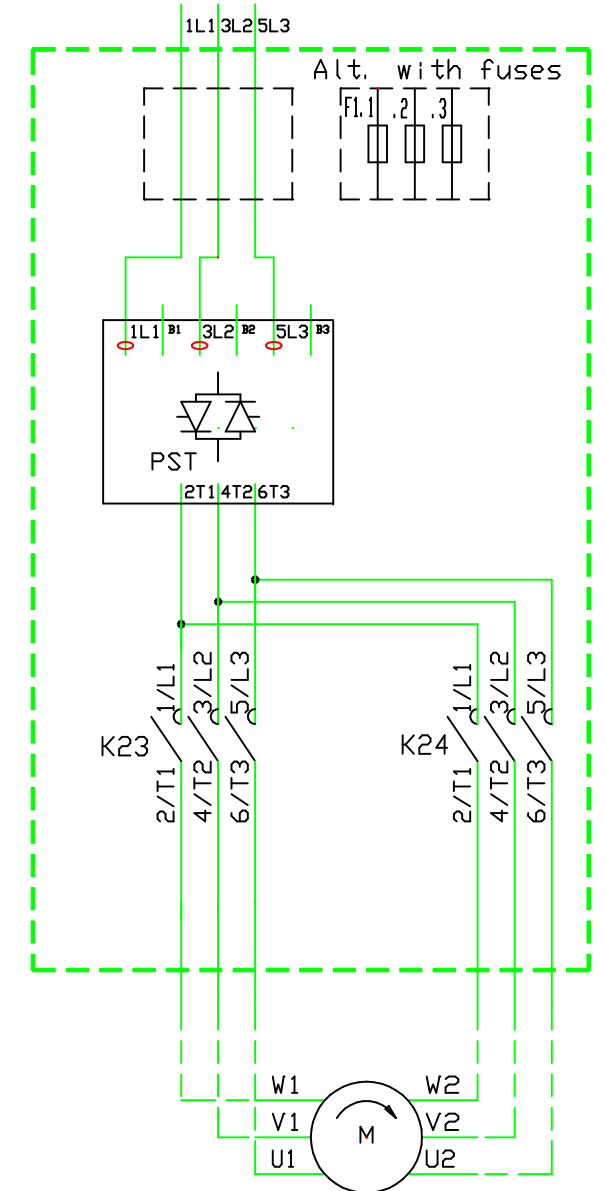
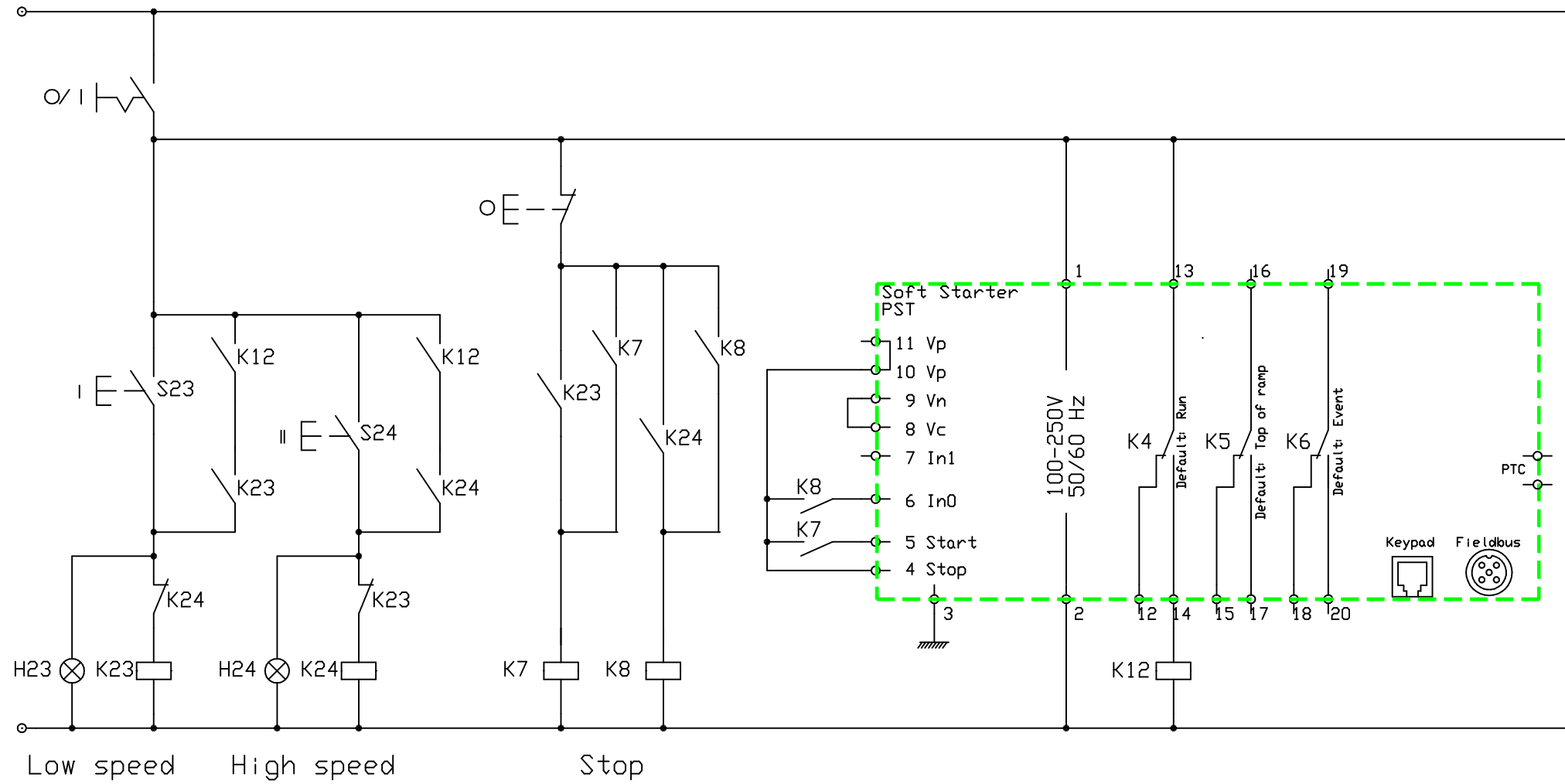


PST30...300

In Line with pole-changing  
 To be stopped before change of speed  
 Start at optional speed  
 For motor with two windings  
 Input In0 shall be set to Start2  
 Internal E. O. L shall be activated



We reserve all rights in this document and in the information contained therein. Reproduction, use or disclosure to third parties without express authority is strictly forbidden. © ABB Control

Prepared T Persson	Responsible department ATCL/ME	Title Application diagram	Lang. 82
Approved T Persson	Take over department	Document No. 1SFB536005G1005	
Revision	Scale	ISSUED 031008	Cont. -
ABB ABB Control			Sheet 1

Rev	Ind	Year	Week
-----	-----	------	------