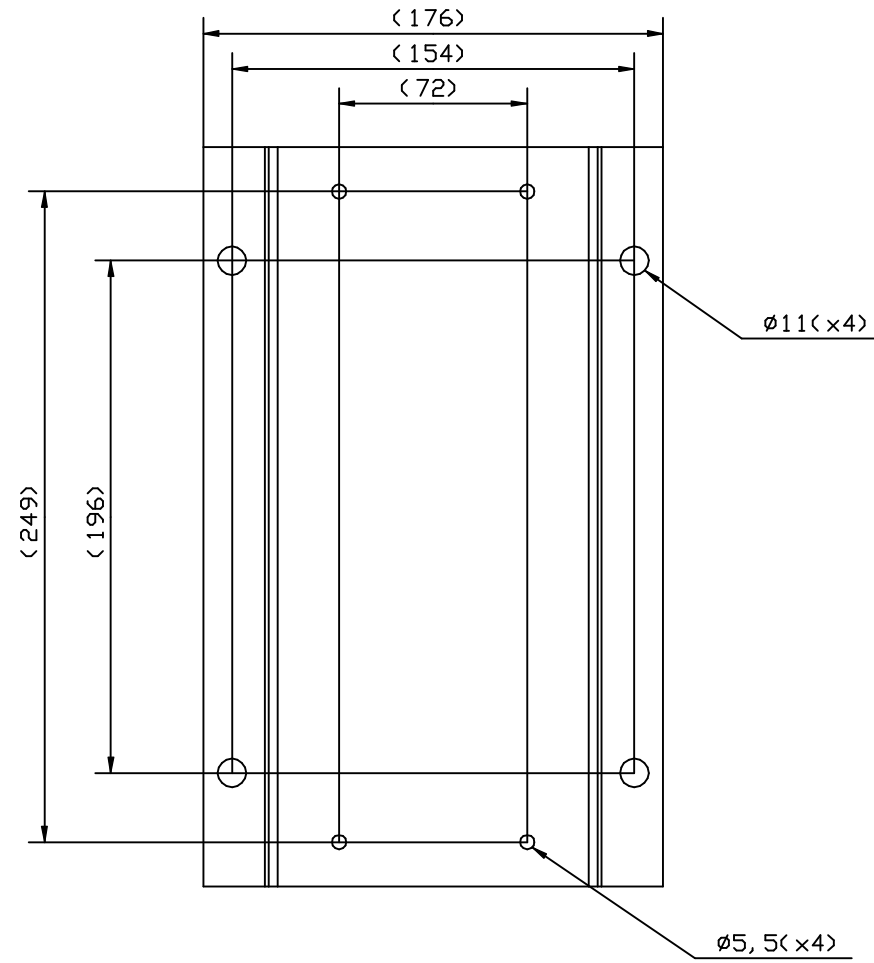
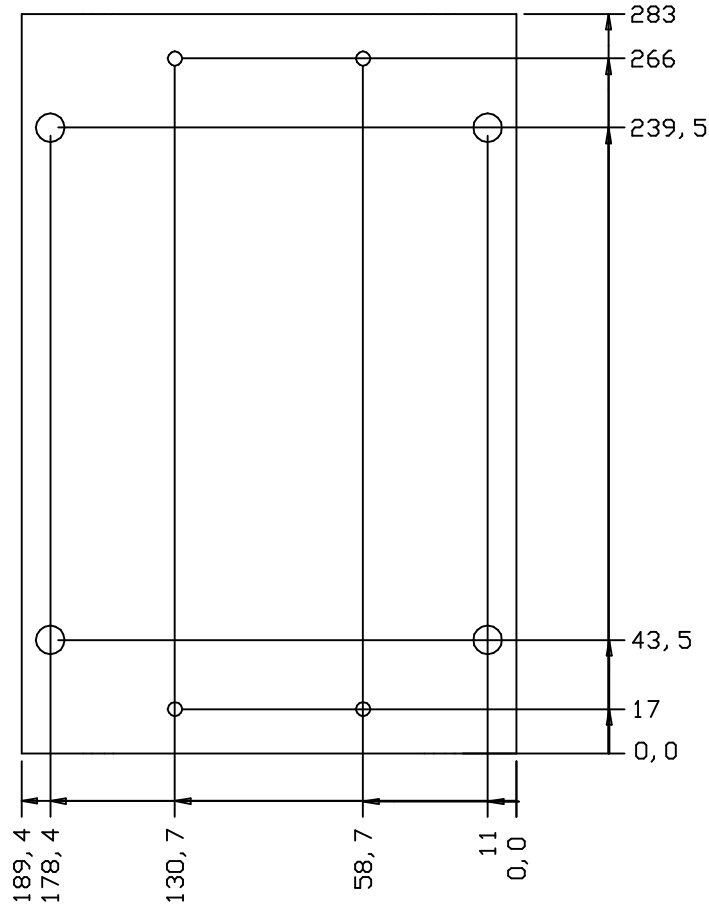


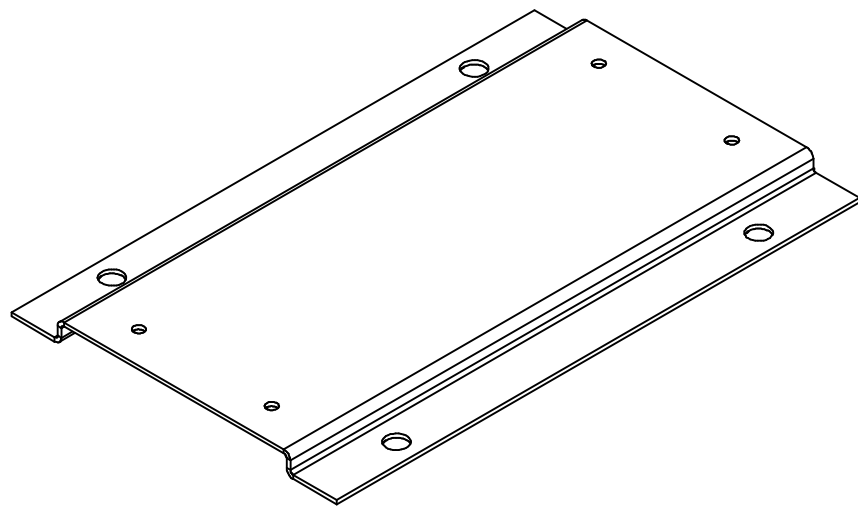
Utbredd



Inside bending radius 1,5  
Invändig böckningsradie 1,5

General tolerances ISO 2768-m  
Generella toleranser ISO 2768-m

283x189,4



We reserve all rights in this document and in the information contained therein. Reproduction, use or disclosure to third parties without express authority is strictly forbidden. © ABB Control

	1SFB 8-844	2 1151-90	T=2	Sheet of steel Plåt av stål		
Quantity	Item No.	Article No.	Material, type, etc	Dimensions	Name of item	Note
Prepared	M Ytterberg	Responsible department	SECL/UK	Title		Adapter DKYM500-AF580
Approved	K Herold	001018	Take over department	Adapterplåt		Lang 82
Revision			Scale 1:2	Document No.		Cont. -
ABB ABB Control				2161 566-20		Sheet 1
				ISSUED		

Rev ind	Revision	Appd	Year	Week