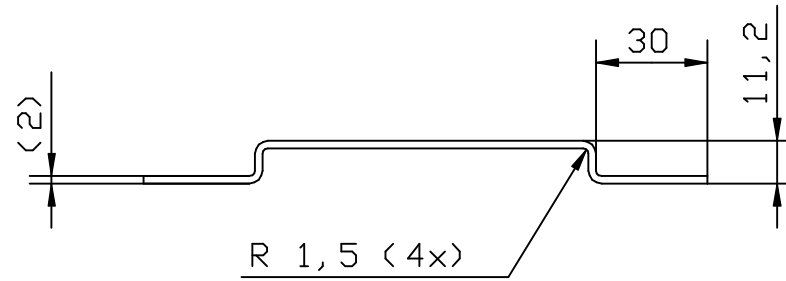
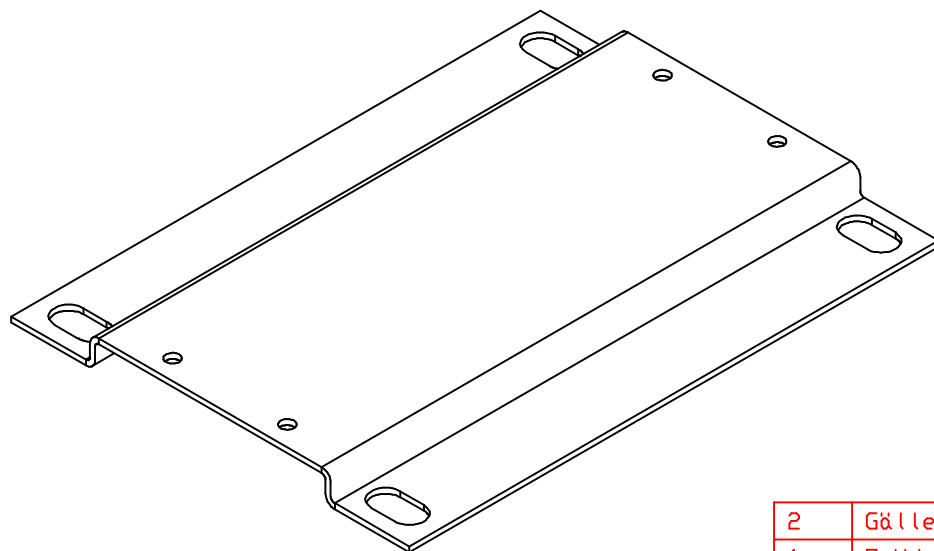
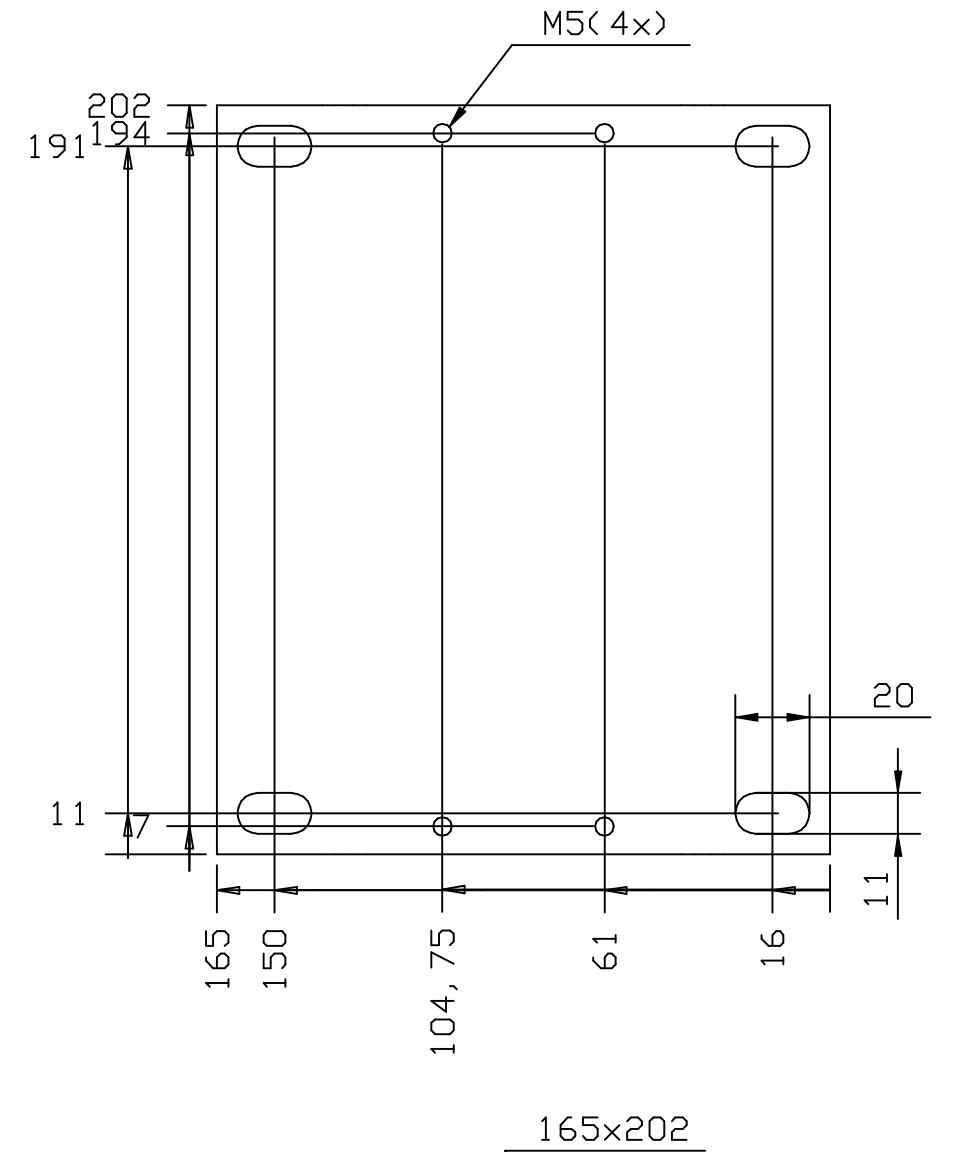
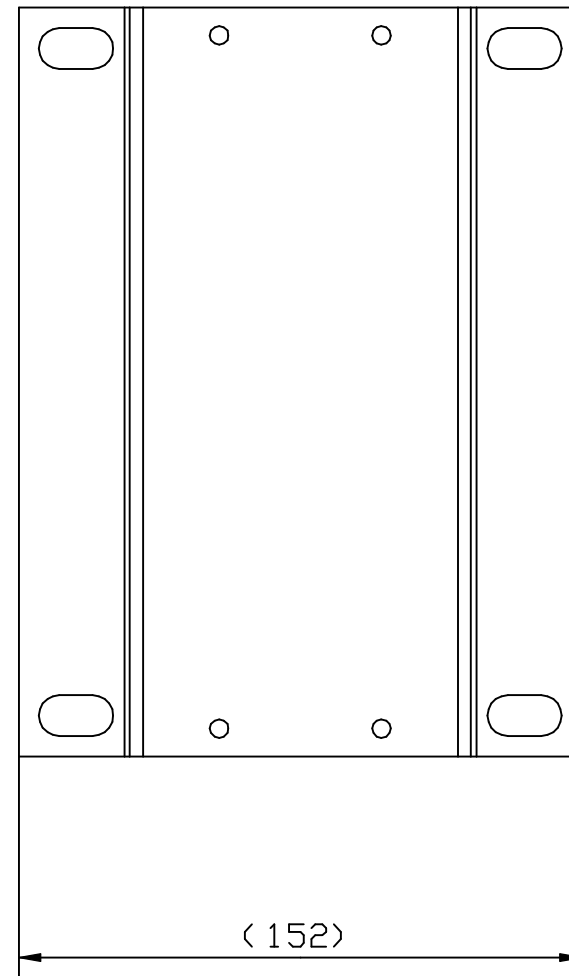


PR 300-2



Utbredd

General tolerances ISO 2768-m
Generella toleranser ISO 2768-m



2	Gäller även AF.	MY	00	43
1	Onödiga mått borttaget	MY	00	08
Rev ind	Revision	Appd	Year	Week

		1SFB 8-844	2 1151-90	T=2;	Sheet of steel Plåt av stål
Quantity	Item No.	Article No.	Material, type, etc	Dimensions	Name of item
Prepared	M Ytterberg		Responsible department	Title	
Approved	K Herold		SECRL/AU	Adapter (DKYM200/250 to A(F)300	
Revision	2		Take over department	Adapter plåt	
			Scale	Document No.	
			1:2	2161 566-6	
ABB			ABB Control		
			ISSUED		
					Lang
					82
					Cont.
					-
					Sheet
					1

We reserve all rights in this document and in the information contained therein. Reproduction, use or disclosure to third parties without express authority is strictly forbidden. © ABB Control