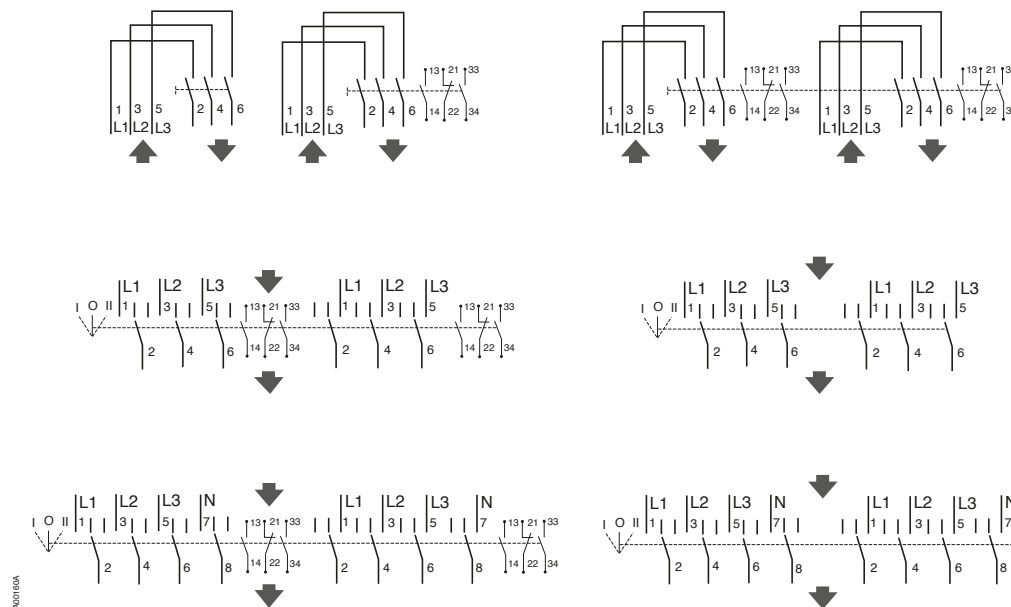


A00157A

A00156A

[mm]	H	W	D	E	A	B	C	F	G	J	K	L
400x250x180	400	250	180	45	445	162	-	-	-	27	11	-
400x400x230	400	400	230	45	445	303	-	-	-	35	11	-
400x400x330	400	400	330	45	445	303	-	-	-	35	11	-
600x400x230	600	400	230	45	645	303	-	-	-	35	11	-
600x400x330	600	400	330	45	645	303	-	-	-	35	11	-
600x400x430	600	400	430	45	645	303	-	-	-	35	11	-
800x400x230	800	400	230	45	845	303	-	-	-	35	11	-
800x400x330	800	400	330	45	845	303	-	-	-	35	11	-
1000x400x230	1000	400	230	45	1045	303	-	-	-	35	11	-
1000x400x330	1000	400	330	45	1045	303	-	-	-	35	11	-
1200x400x230	1200	400	230	45	1245	303	-	-	-	35	11	-
1200x400x330	1200	400	330	45	1245	303	-	-	-	35	11	-
400x800x230	400	800	230	45	445	303	512	612	712	35	11	27
400x800x330	400	800	330	45	445	303	512	612	712	35	11	27
600x800x230	600	800	230	45	645	303	512	612	712	35	11	27
600x800x330	600	800	330	45	645	303	512	612	712	35	11	27
800x800x230	800	800	230	45	845	303	512	612	712	35	11	27
800x800x330	800	800	330	45	845	303	512	612	712	35	11	27
1000x800x230	1000	800	230	45	1045	303	512	612	712	35	11	27
1000x800x330	1000	800	330	45	1045	303	512	612	712	35	11	27
1200x800x230	1200	800	230	45	1245	303	512	612	712	35	11	27
1200x800x330	1200	800	330	45	1245	303	512	612	712	35	11	27



A00160A

[Nm]			
PE	Q	S	N
<p>M8 6Nm</p>	<p>M8 15...22Nm M10 30...44Nm M12 50...75Nm</p>	<p>0,8Nm</p>	<p>M8 6Nm</p> <p>M8 15...22Nm M10 30...44Nm M12 50...75Nm</p>
<p>M8 6Nm</p>	<p>M8 15...22Nm M10 30...44Nm M12 50...75Nm</p>	<p>0,8Nm</p>	<p>M8 15...22Nm M10 30...44Nm M12 50...75Nm</p>
<p>PE</p>	<p>Q</p>	<p>S</p>	<p>N</p>

A00161A