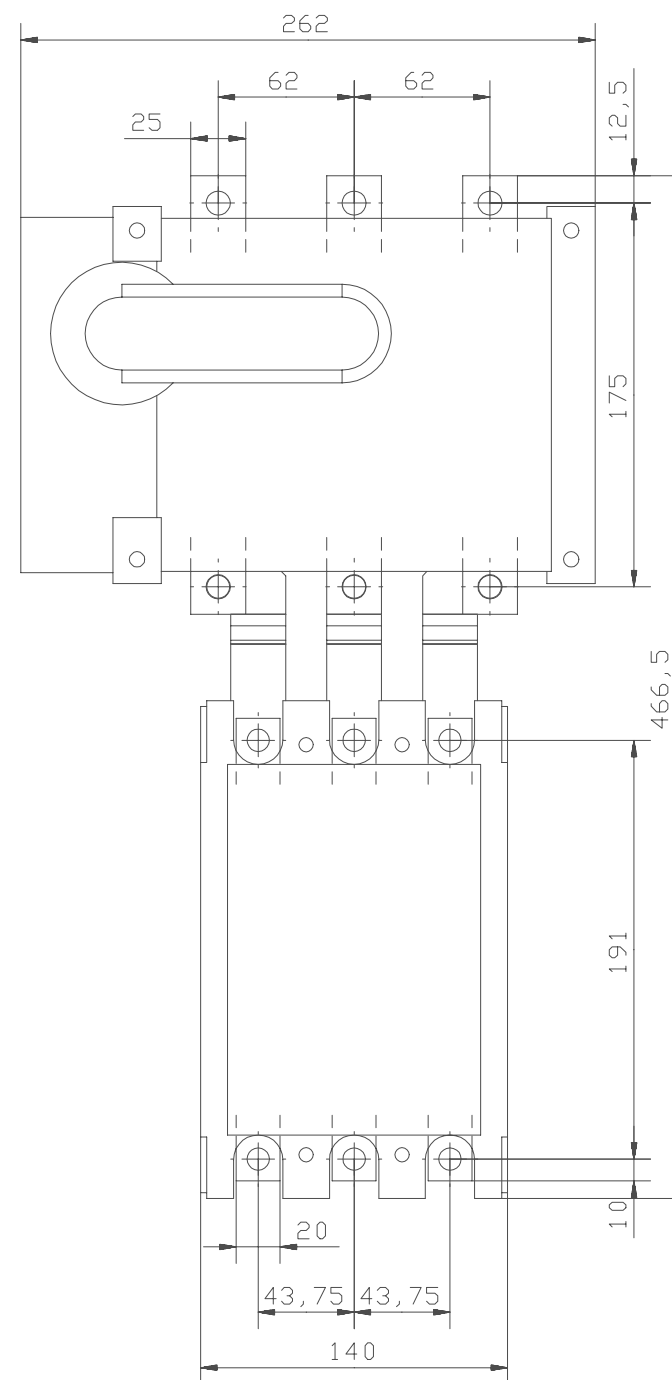
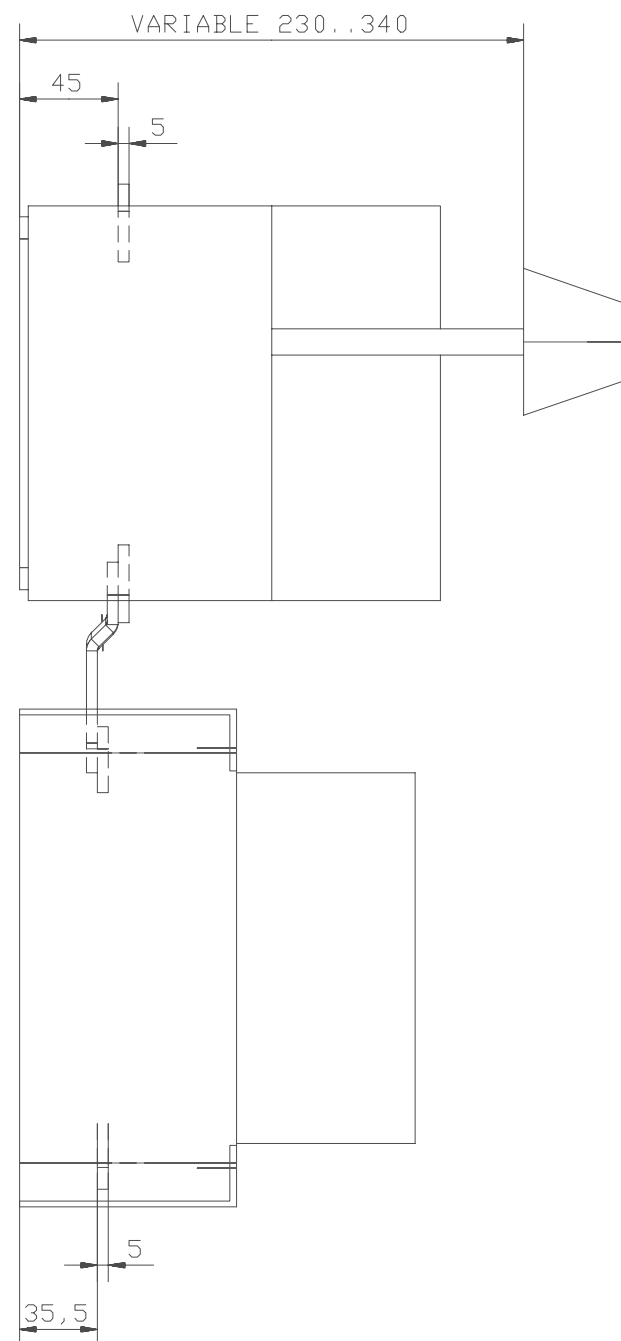
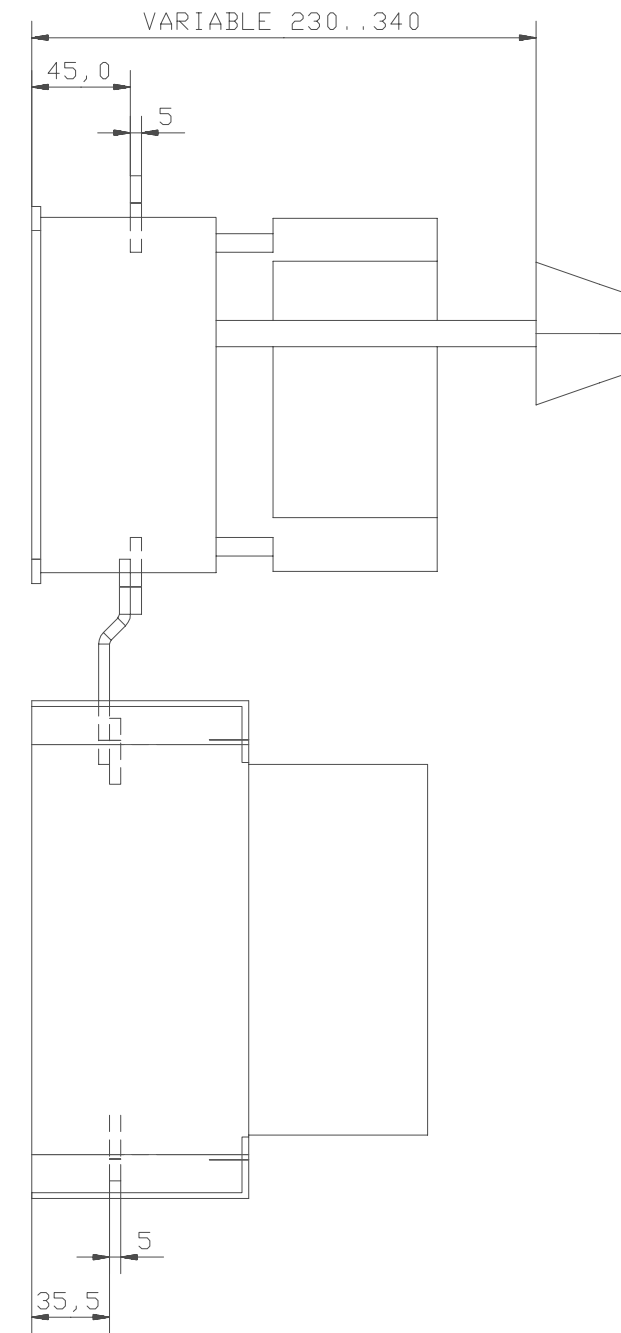


A300/DESA400



A210/DESA250



Drilling plan acc. to 5354 0919-38/sheet 2

Connection bars between contactor and switch-fuse  
A210/DESA250 and A300/DESA400

Prepared G Engblom	Responsible department SECRL/UK	Title DIMENSION PRINT	
Approved K Herold	Take over department	MÄTTSKISS	
Revision	Scale	Document No. 5354 0919-38	Long. 82 Cont. 2 Sheet 1
ISSUED 00-05-16			