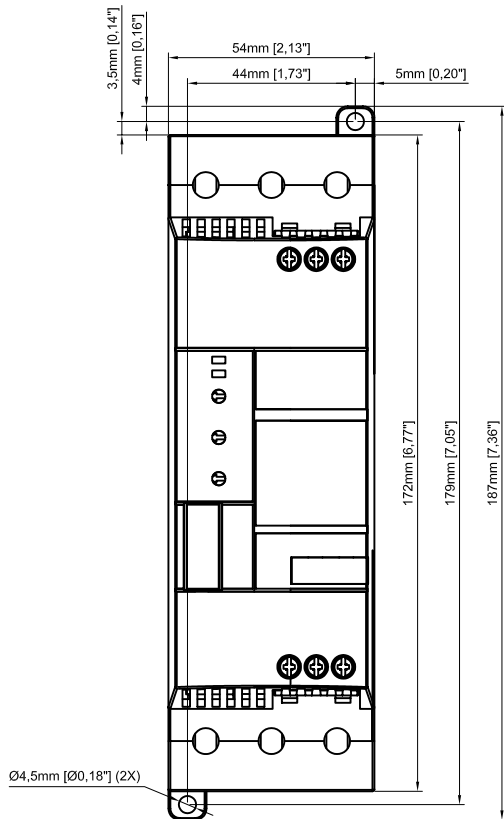
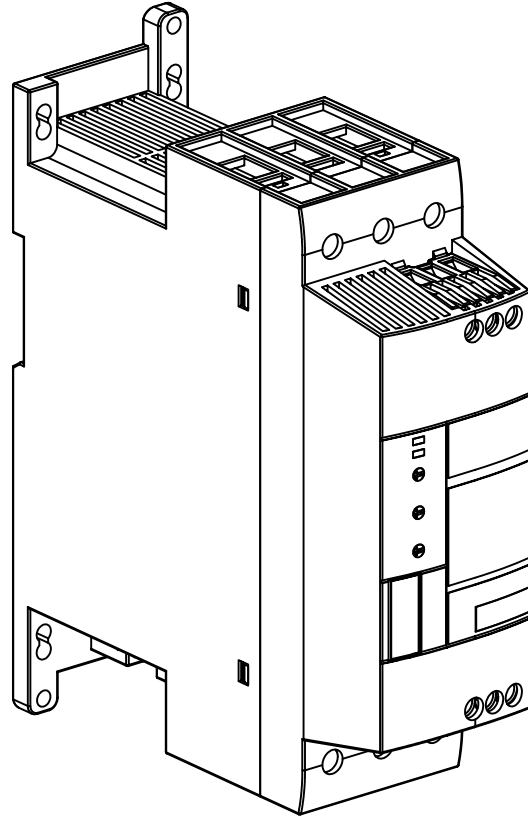
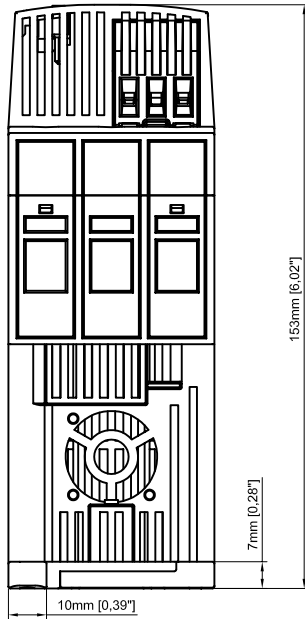


Softstarter

Rev ind	Revision	Appd	Year	Week
A	add inch in dimensions	JW	2006	24
B	add "PSR37, PSR45" in title	JW	2006	24



We reserve all rights in this document and in the information contained therein. Reproduction, use or disclosure to third parties without express authority is strictly forbidden. © ABB

Quantity	Item No.	Article No.	Material, type, etc	Dimensions	Name of item	Note
Prepared	Northlake	P Q	Responsible dep SECR/LMM	Title Dimension Drawing, PSR37, PSR45		
Approved	Wahrenberg	20060518	Take over dep			Lang. EN
Revision	B		Scale 1:2	Document No. 1SFB536147G1203		Cont. -
ABB Automation Technologies AB, Cewe-Control				ISSUED		Sheet 1