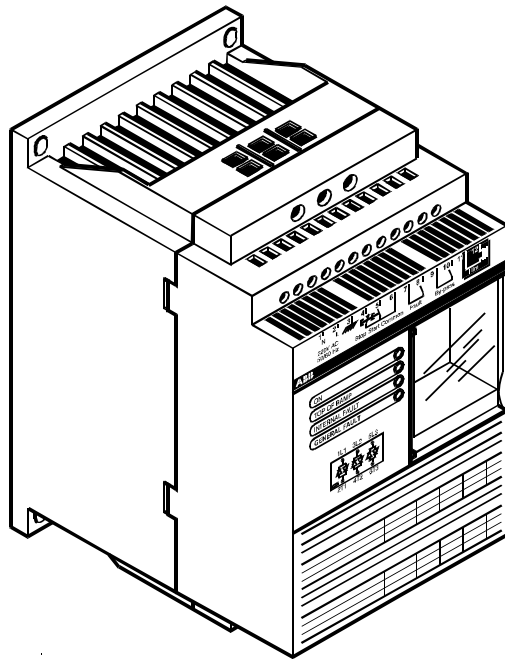
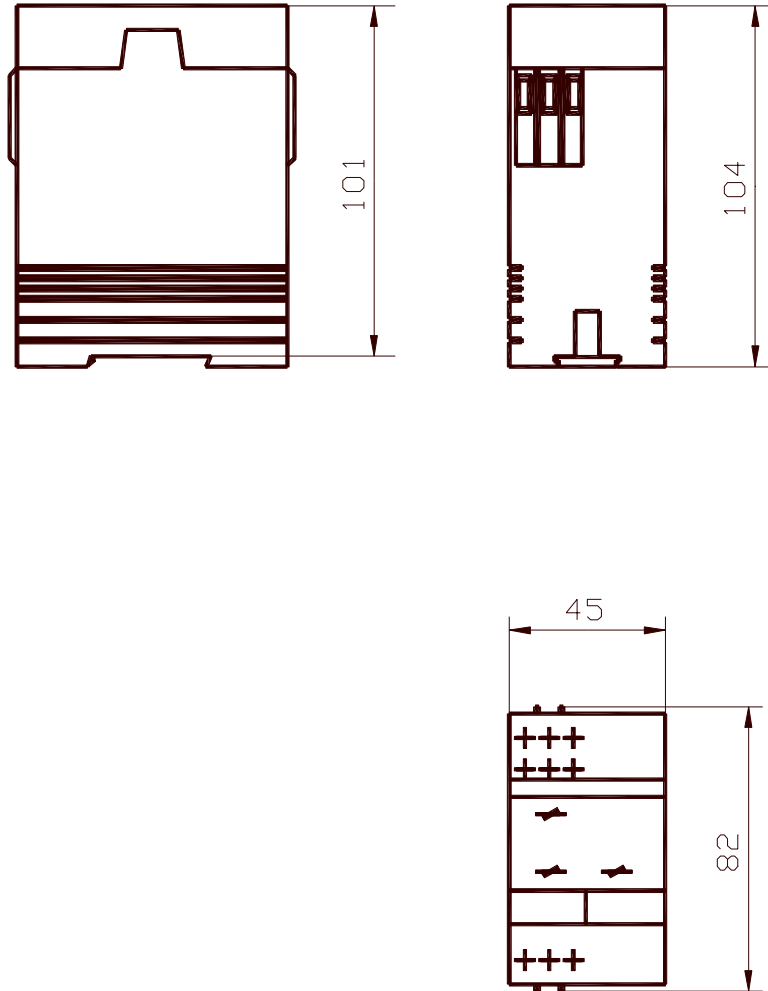


5309 714-1 Dec-01



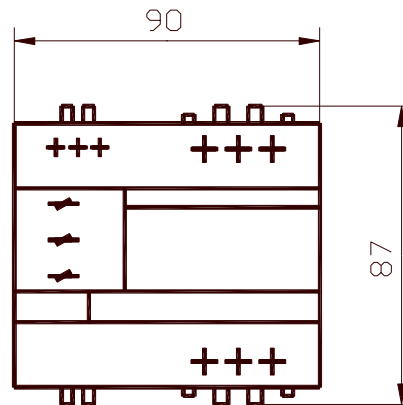
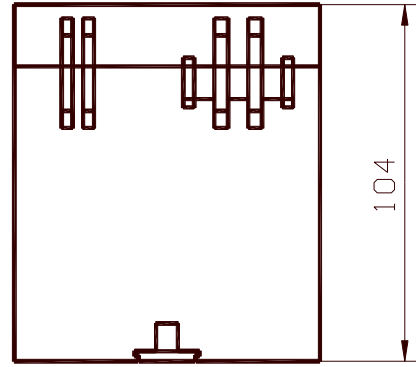
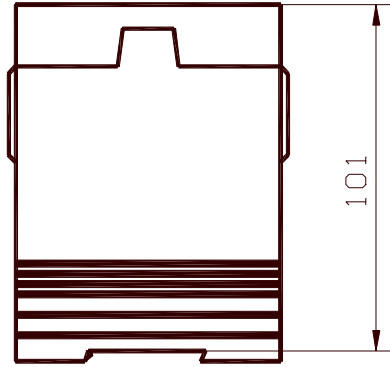


We reserve all rights in this document and in the information contained therein. Reproduction, use or disclosure to third parties without express authority is strictly forbidden.
 C ABB@control

Monting on 35 mm DIN rails acc. to EN 50022
 Montering på 35 mm DIN skena enl. EN 50022

Prepared T Persson	P Q	Responsible department SECRL/BM1	Title Mjukstartare	
Approved S Kling		Take over department	Softstarter	Long. 82
Revision		Scale 1:2	Document No. 5366 247-1	Cont. -
ABB Control			ISSUED 990401	Sheet 1

(A4)



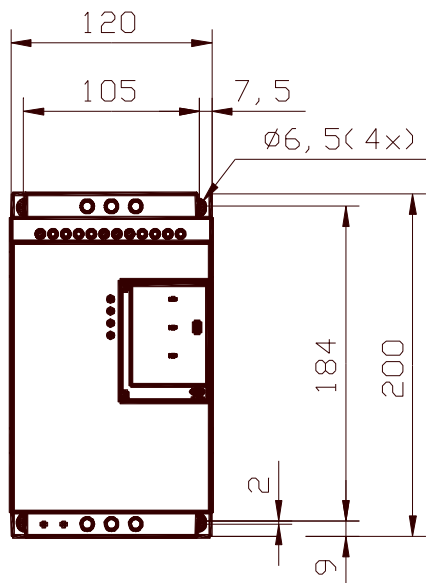
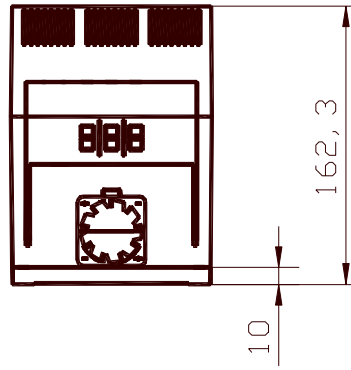
We reserve all rights in this document and in the information contained therein. Reproduction, use or disclosure to third parties without express authority is strictly forbidden. © ABB Control

Monting on 35 mm DIN rails acc. to EN 50022
 Montering på 35 mm DIN skena enl. EN 50022

Prepared T Persson	Responsible department SECR1/BM1	Title Mjukstartare	
Approved S Kling	Take over department	Softstarter	Lang. 82
Revision	Scale 1:2	Document No. 5366 247-2	Cont. -
ABB Control		ISSUED 990401	Sheet 1

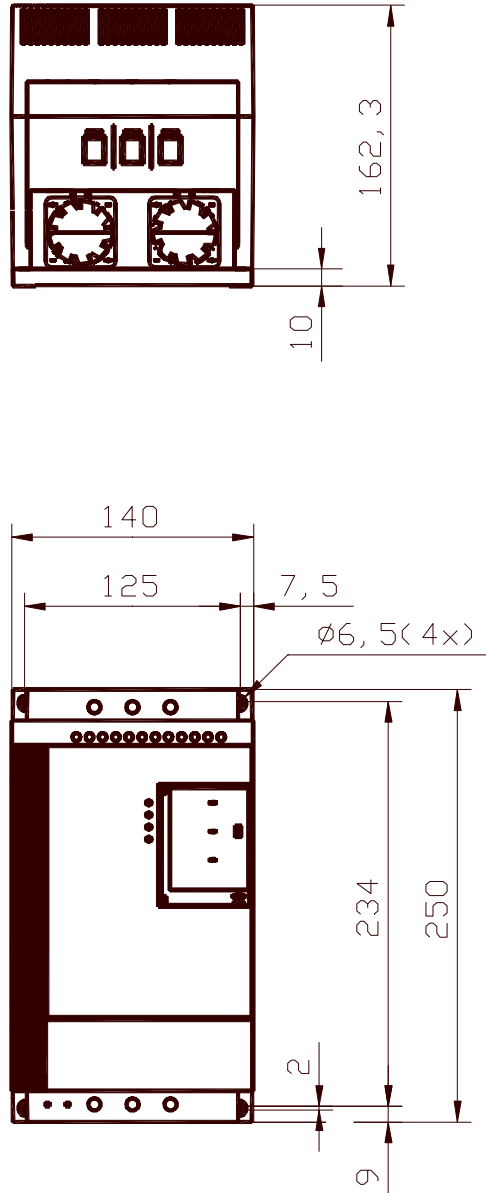
(A4)

We reserve all rights in this document and in the information contained therein. Reproduction, use or disclosure to third parties without express authority is strictly forbidden. © ABB Control



Prepared T Persson	Responsible department SECRL/BM1	Title Mjukstartare	
Approved S Kling	Take over department	Softstarter	
Revision	Scale 1: 4	Document No. 5366 247-3	Long. 82
ABB Control		ISSUED 990401	Cont. -
			Sheet 1

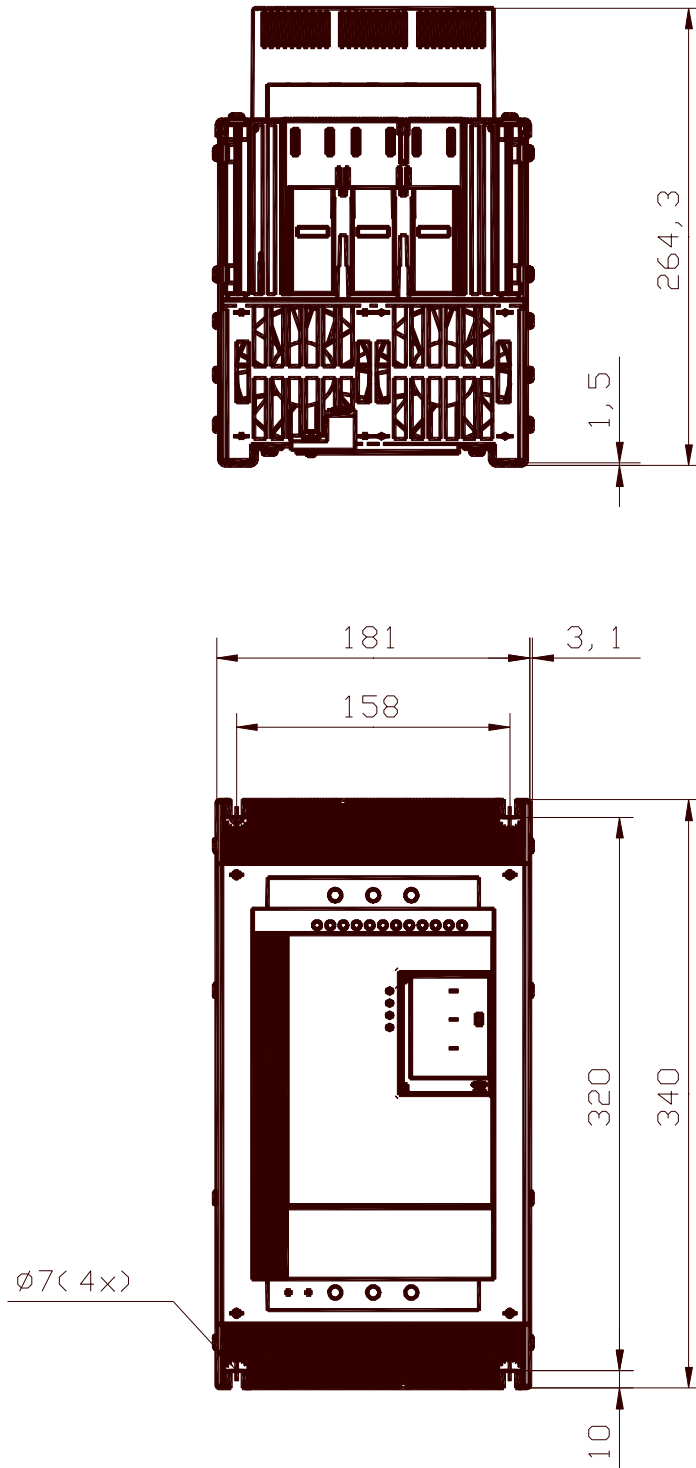
We reserve all rights in this document and in the information contained therein. Reproduction, use or disclosure to third parties without express authority is strictly forbidden. © ABB Control



Prepared T Persson	Responsible department SECR1/BM1	Title Mjukstartare	
Approved S Kling	Take over department	Softstarter	Lang. 82
Revision	Scale 1: 4	Document No. 5366 247-4	Cont. -
ABB Control		ISSUED 990401	Sheet 1

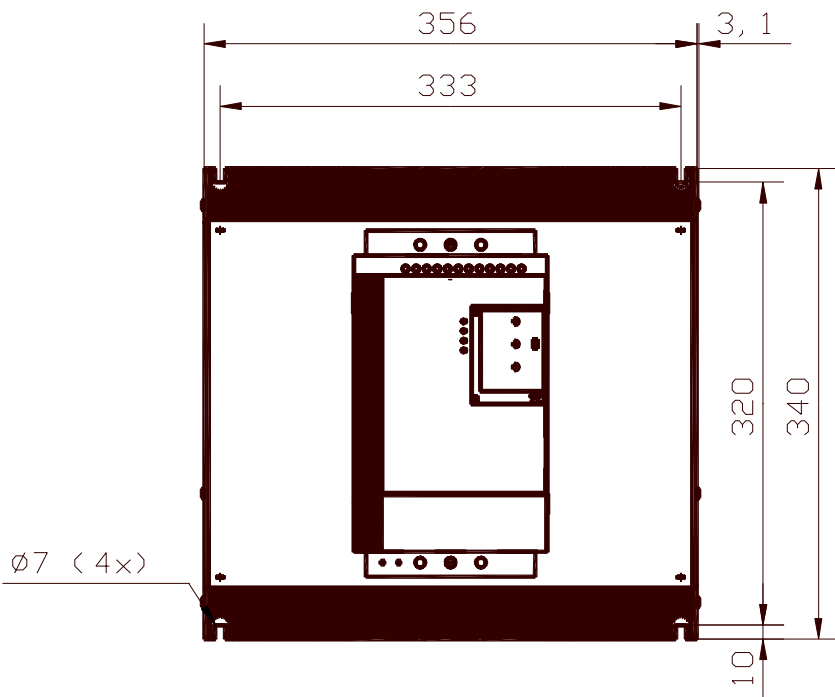
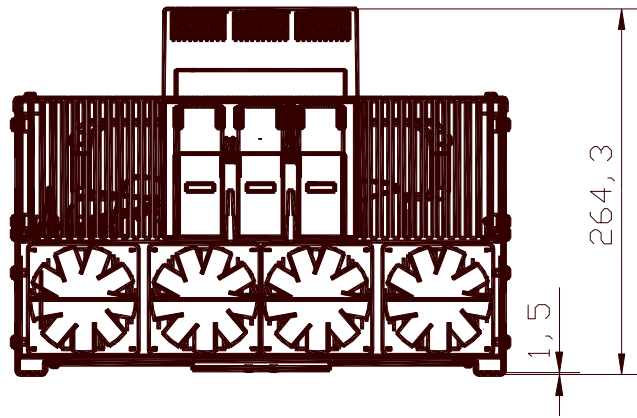
(A4)

We reserve all rights in this document and in the information contained therein. Reproduction, use or disclosure to third parties without express authority is strictly forbidden. © ABB Control





Prepared T Persson	Responsible department SECR/L/BM1	Title Mjukstartare	
Approved S Kling	Take over department	Softstarter	Lang. 82
Revision	Scale 1: 4	Document No. 5366 247-5	Cont. -
ABB Control	ISSUED 990401		Sheet 1

(A4)



We reserve all rights in this document and in the information contained therein. Reproduction, use or disclosure to third parties without express authority is strictly forbidden. © ABB Control

Prepared T Persson	Responsible department SECR/UE	Title Softstarter	
Approved G Johansson	Take over department	Mjukstartare	
Revision	Scale 1:5	Document No. 5366 247-6	Lang. 82
 ABB Control			Cont. -
ISSUED 000428			Sheet 1

(A4)



ABB Automation Technology Products AB, Control

S-721 61 Västerås, SWEDEN

Telephone +46 21 32 07 00

TELEFAX +46 21 12 60 01

(Dimension drawing.doc)