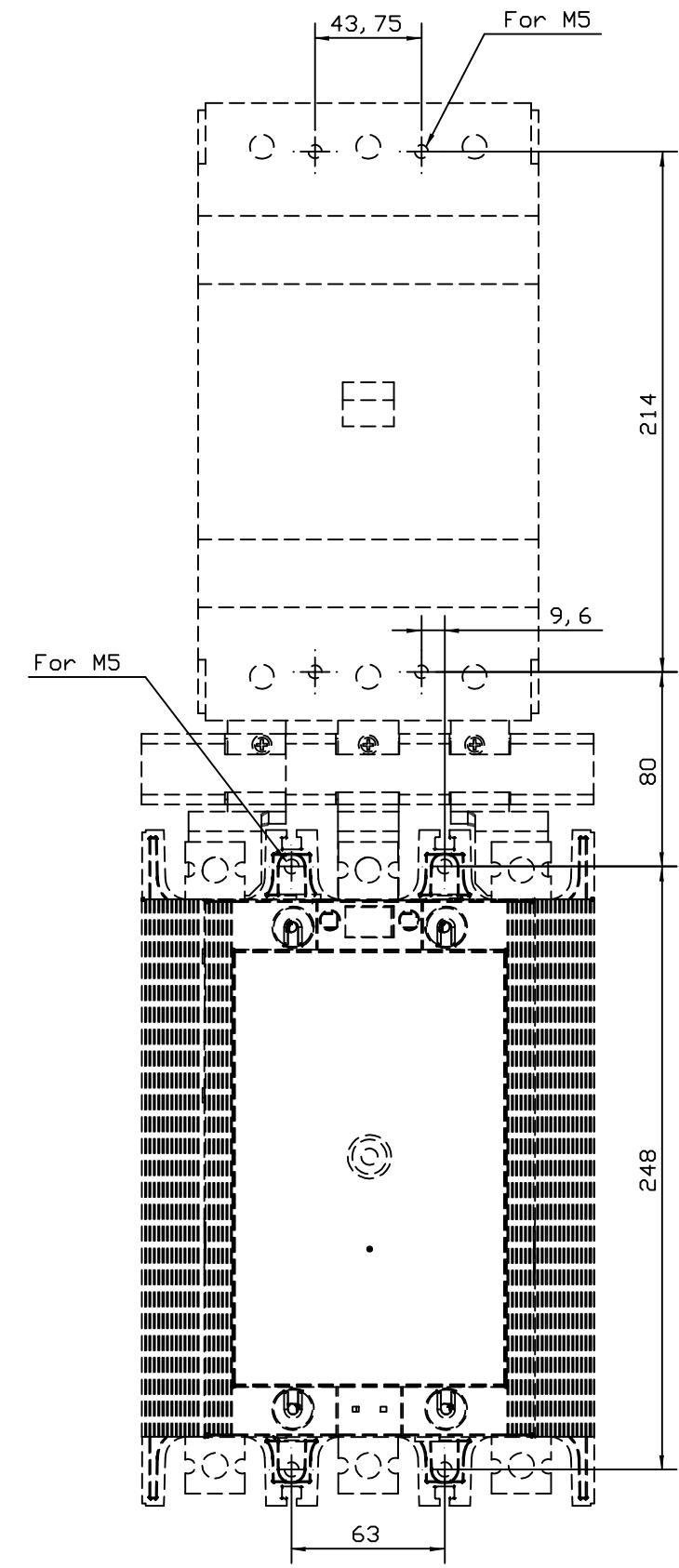
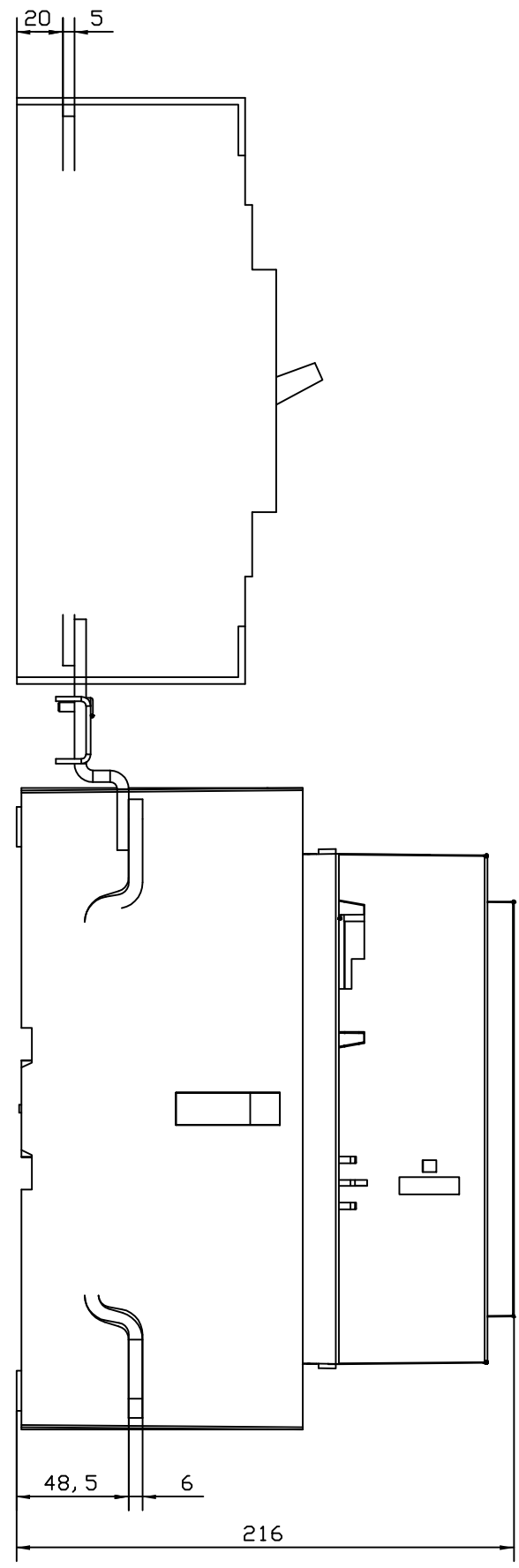
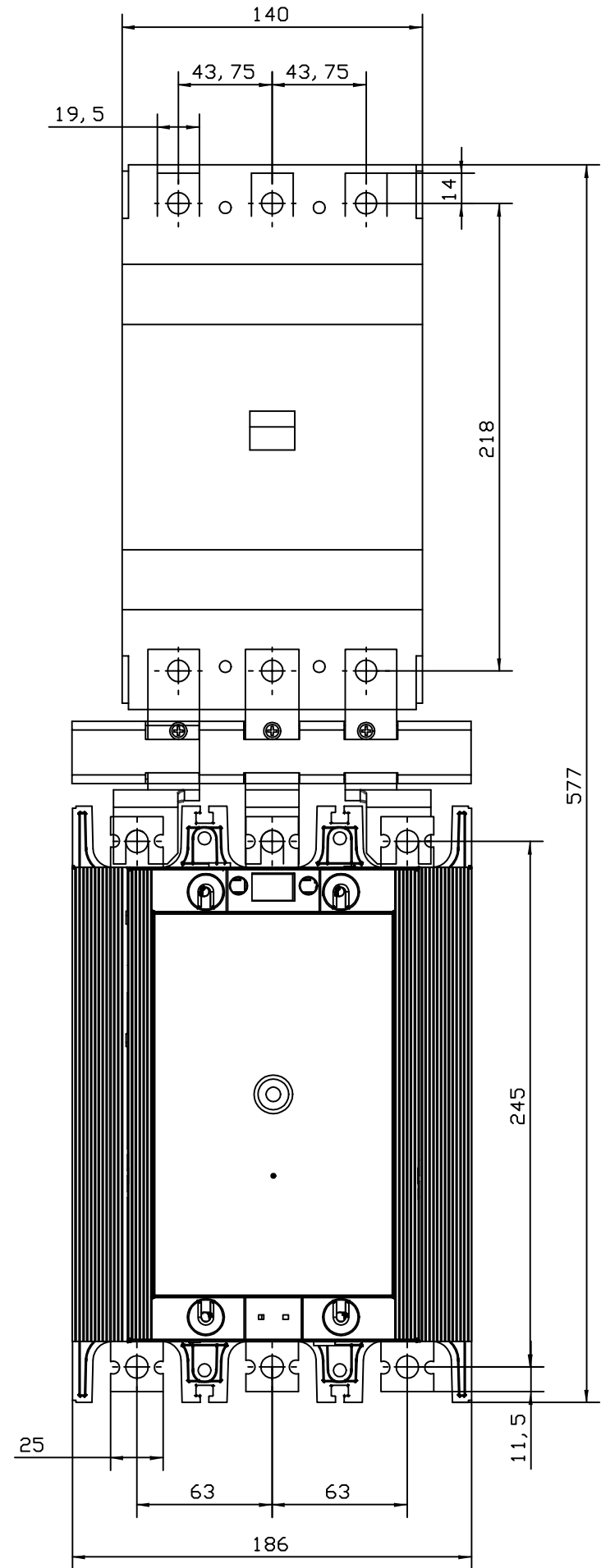


BEA400D/S5

Drilling plan
Borrplan



We reserve all rights in this document and in the information contained therein. Reproduction, use or disclosure to third parties without express authority is strictly forbidden. © ABB Control

Connection bars between contactor and MCCB
AF400/S5

Prepared A-M Lundqvist	Responsible department SECR/MM	Title Dimension Drawing	Lang 82
Approved K Herold	Take over department	Mättskiss	
Revision	Scale 1:2	Document No. 53540919-63	Cont. -
ABB Control			Sheet 1
ISSUED 020305			

Rev ind	Revision	Appd	Year	Week