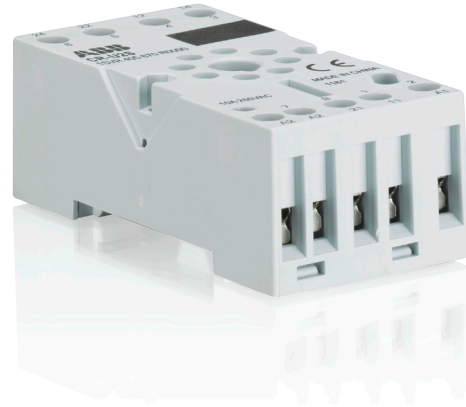


Accessories for pluggable interface relays CR-U

Sockets





Characteristics

- Standard socket for interface relays CR-U
- Snap-on mounting on DIN rail
- Connector for pluggable function modules: reverse polarity protection/free wheeling diode, LED indication, RC element, overvoltage protection, multifunction time module



2CDC 291 007 S0011

Approvals

-  UL 508, CAN/CSA C22.2 No.14 (CR-UxS, CR-UxSM)
-  CAN/CSA C22.2 No.14 (CR-U3E)
-  GOST
-  RMRS

Marks

-  CE

Order data

Packing unit 10 = pieces.

| Type | Version | Order code |
|------|---------|------------|
|------|---------|------------|

Standard sockets

Position of connecting terminals: coil connection (A1-A2) on lower socket side, contact connections (n/o and n/c contacts) on the lower and upper socket side.

| | | |
|--------|------------------------------------|--------------------|
| CR-U2S | for 2 c/o (SPDT) contacts + module | 1SVR 405 670 R0000 |
| CR-U3S | for 3 c/o (SPDT) contacts + module | 1SVR 405 660 R0000 |
| CR-U3E | for 3 c/o (SPDT) contacts | 1SVR 405 660 R0100 |

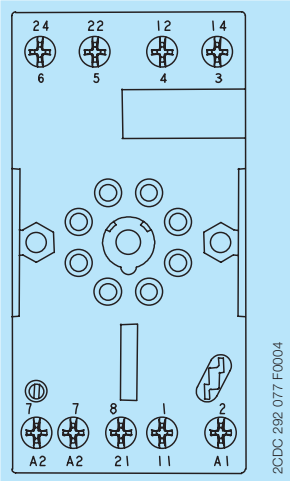
Small sockets

| | | |
|---------|---------------------------|--------------------|
| CR-U2SM | for 2 c/o (SPDT) contacts | 1SVR 405 670 R1100 |
| CR-U3SM | for 3 c/o (SPDT) contacts | 1SVR 405 660 R1100 |

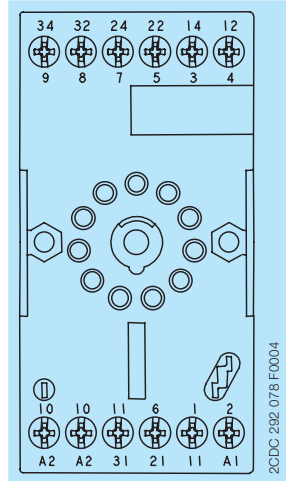
Accessories for CR-P sockets

| | | |
|-------|---------------|--------------------|
| CR-UH | Metall holder | 1SVR 405 669 R0000 |
|-------|---------------|--------------------|

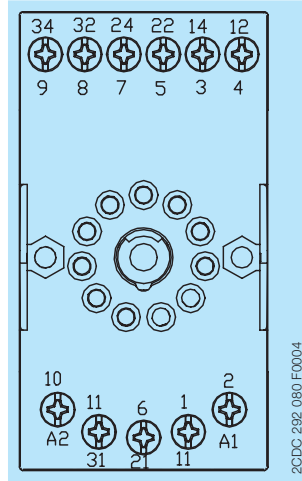
Electrical connection



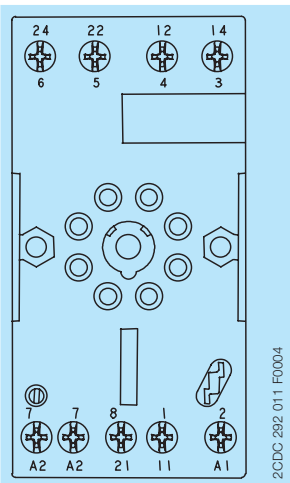
CR-U2S



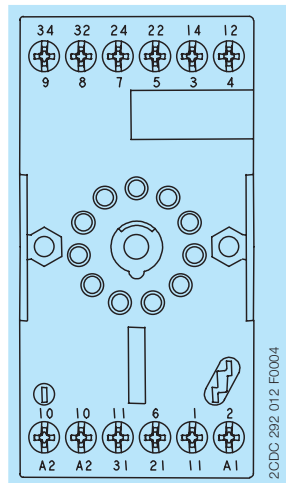
CR-U3S



CR-U3E



CR-U2SM



CR-U3SM

| | |
|-----------------------|----------------|
| A1-A2 | Supply voltage |
| 11-12/14, | Relay outputs |
| 21-22/24, | |
| 31-32/34 | |
| A-B (only CR-U2SM) | Supply voltage |

Technical data

Output circuits

| Type | CR-UxS | | CR-U3E | CR-UxSM |
|-----------------|------------------------|----------|----------|---------|
| | CR-U2S | CR-U3S | | |
| Output circuits | 11-12/14, 21-22/24,... | | | |
| Number of poles | 2 or 3 | | 2 | 2 or 3 |
| Rated voltage | 10 A | 250 V AC | 300 V AC | 250 V |
| Rated current | 10 A | | | |

General data

| | | | | |
|---|---|---|---|---|
| Dimensions without holder and module (L x W x H) | 75.3 x 37.3 x 26 mm (2.965 x 1.469 x 1.024 in) | 75.3 x 38.1 x 26 mm (2.965 x 1.500 x 1.024 in) | 70 x 38 x 26 mm (2.756 x 1.496 x 1.024 in) | 61.8 x 38.1 x 26 mm (2.756 x 1.500 x 1.024 in) |
| Degree of protection | terminals | IP 20 B (EN 60529) | | |
| Temperature range | operation | -40...+70 °C | | -40...+70 °C |
| | storage | -40...+70 °C | | -40...+70 °C |
| Wire size | rigid | 2 x 2.5 mm ² (2 x 14 AWG) | | |
| | fine-strand | 2 x 2.5 mm ² (2 x 14 AWG) | | |
| | with wire | 2 x 1.5 mm ² (2 x 16 AWG) | | |
| | end ferule | | | |
| Tightening torque | 0.6 Nm | | 0.8 Nm | 0.6 Nm |
| Mounting | DIN rail (IEC/EN 60715) | | | |
| Material | socket | PA 6+GF - V2 | | PA 6+GF - V2 |
| | contacts | CuZn33 | | CuZn37 |
| | contact surface | 6 μ Ni | | 3 μ Ni |
| | terminals | 8 μ Ni | | 8 μ galvanized |
| | combi | 8.8 Steel, 5μ Ni | | Steel, 8 μ Ni |
| | screw M3 | | | |

Isolation data

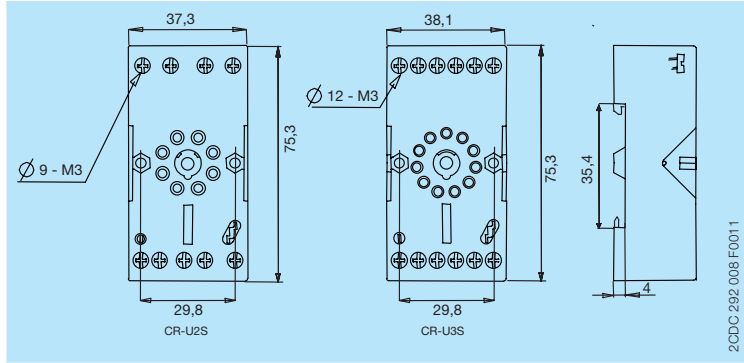
| | |
|-------------------------------------|----------|
| Insulation voltage | > 2 kV |
| Isolation between coil and contacts | EN 61984 |
| Clearance and creepage distance | EN 61984 |

Standards

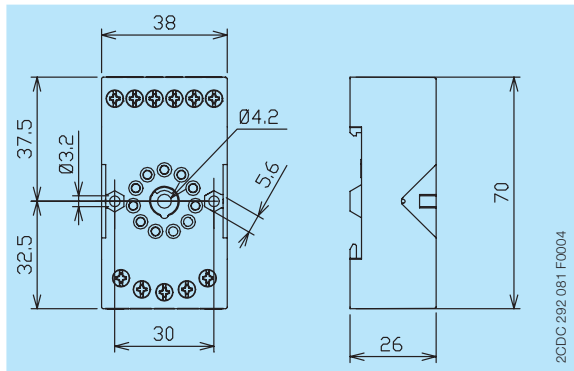
| | |
|-----------------------|----------------|
| Products standard | EN 61984: 2001 |
| Low Voltage Directive | 2006/95/EC |

Dimensions

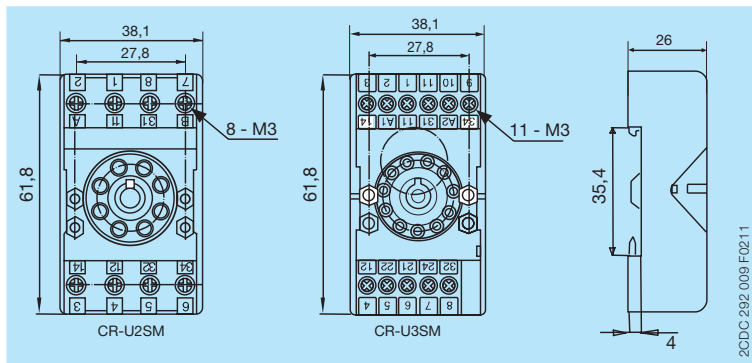
in mm



CR-UxS



CR-U3E



CR-UxSM

Further documentation

| Document title | Document type | Document number |
|---------------------------------|---------------------|--------------------|
| Electronic Products and Relays | Technical catalogue | 2CDC 110 004 C020x |
| Relays CR-U | Data sheet | 2CDC 117 003 D020x |
| Pluggable function modules CR-U | Data sheet | 2CDC 117 008 D020x |
| Pluggable time module CR-U T | Data sheet | 2CDC 117 010 D020x |

You can find the documentation on the internet at www.abb.com/lowvoltage -> Control Products -> Electronic Relays and Controls -> Interface Relays and Optocouplers

Contact us

ABB STOTZ-KONTAKT GmbH

P. O. Box 10 16 80
69006 Heidelberg, Germany
Phone: +49 (0) 6221 7 01-0
Fax: +49 (0) 6221 7 01-13 25
E-mail: info.desto@de.abb.com

You can find the address of your
local sales organization on the
ABB home page
<http://www.abb.com/contacts>
-> Low Voltage Products and Systems

Note:

We reserve the right to make technical changes or modify the contents of this document without prior notice. With regard to purchase orders, the agreed particulars shall prevail. ABB AG does not accept any responsibility whatsoever for potential errors or possible lack of information in this document.

We reserve all rights in this document and in the subject matter and illustrations contained therein. Any reproduction, disclosure to third parties or utilization of its contents – in whole or in parts – is forbidden without prior written consent of ABB AG.

Copyright© 2011 ABB
All rights reserved