

OTPK 00 - 32_

1SCC340009M0001

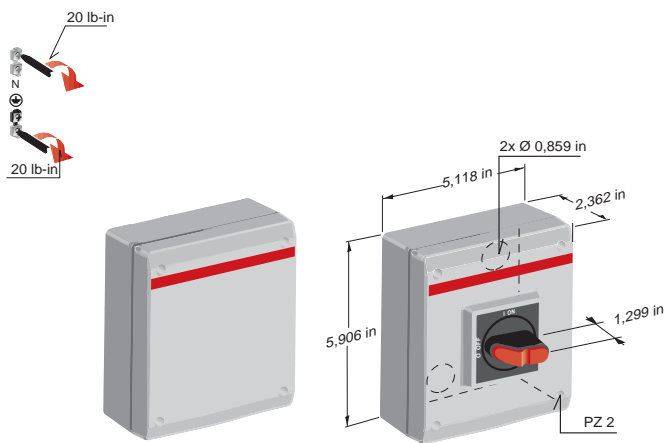
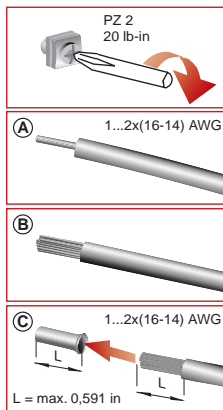
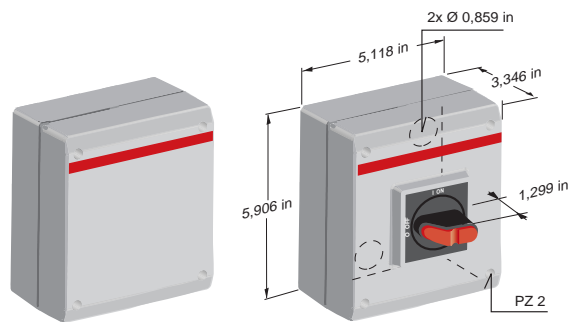
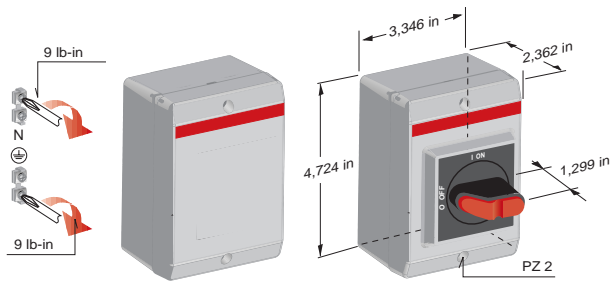
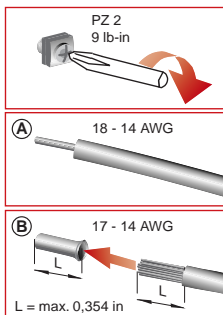
Document no. 34 OTPK 1 A

2269 2135

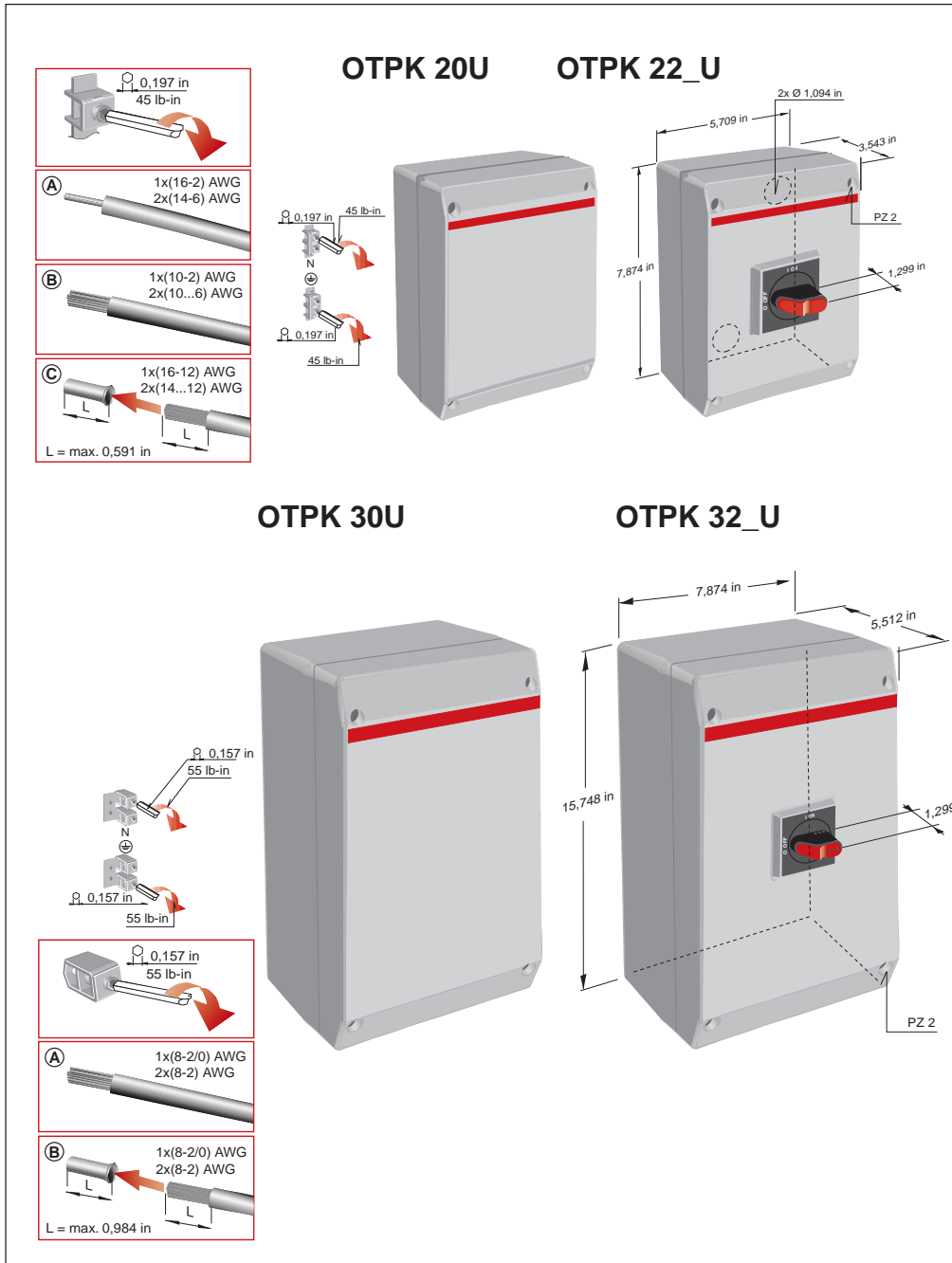


The ABB logo, consisting of the letters 'ABB' in a bold, red, sans-serif font.

OTPK 00 - 32



OTPK 00 - 32_



OTPK 00 - 32_

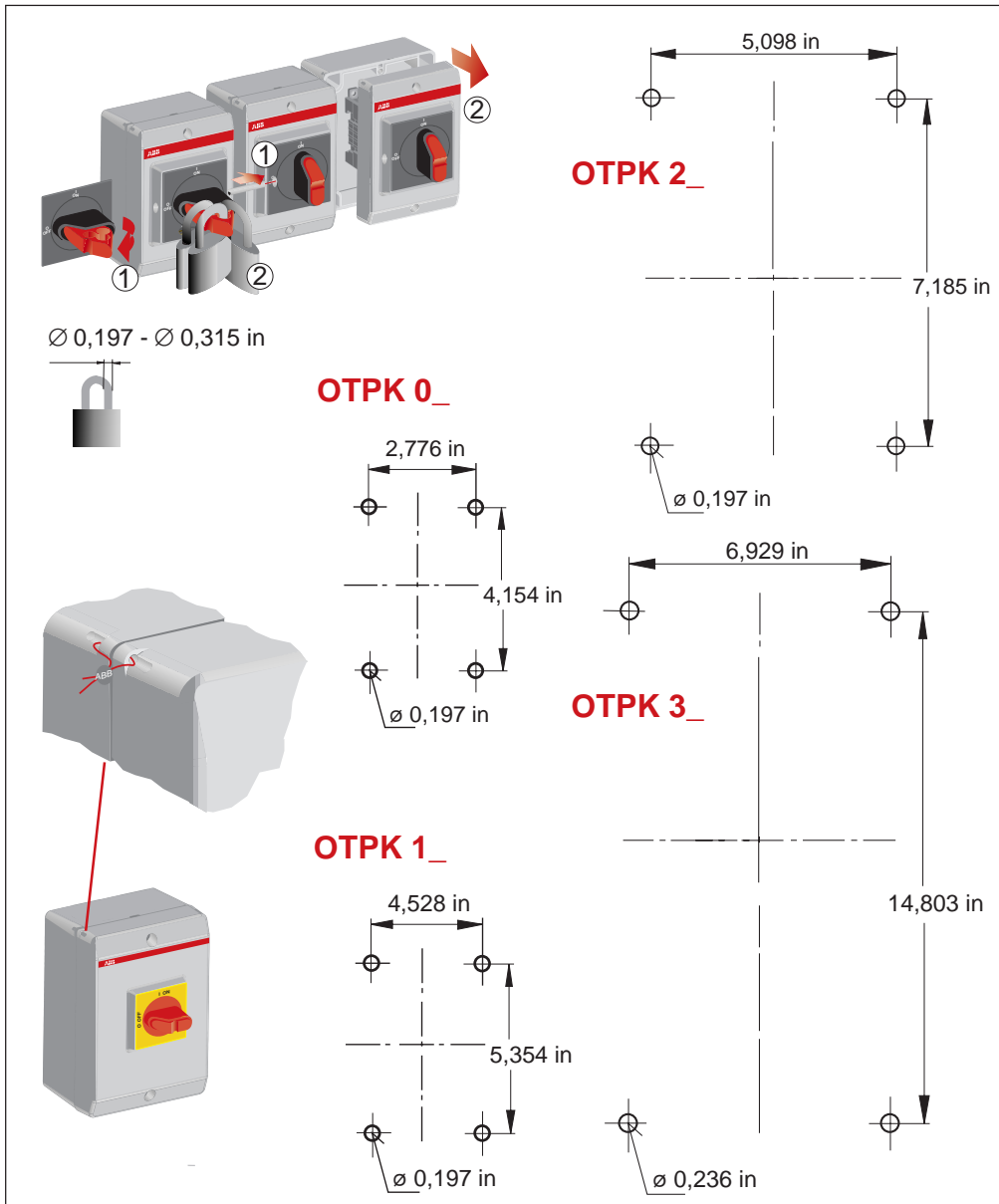


ABB Oy
 Low Voltage Products
 P.O. Box 622 Telephone +358-10 224 000
 FIN-65101 Vaasa, Finland Telefax +358-10 224 5708

