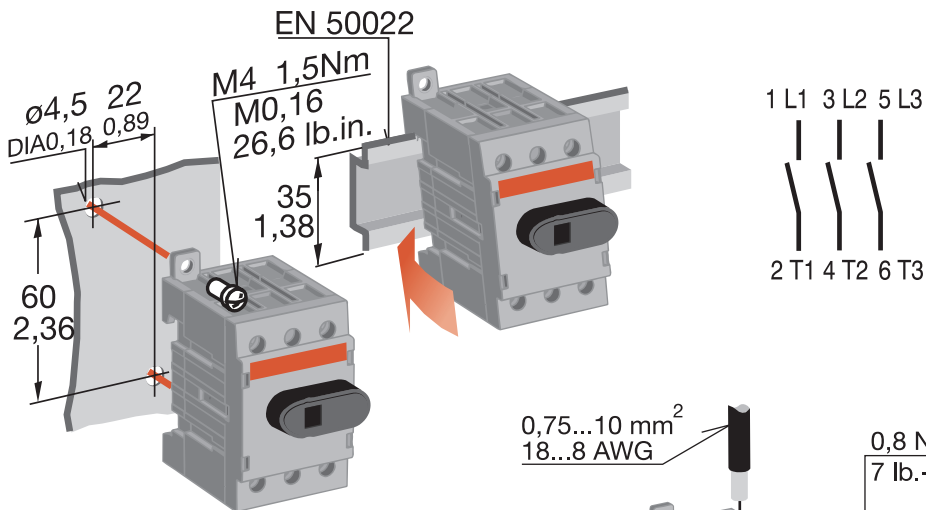


OT16-40F3

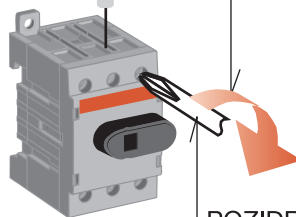
1SCC301052M0001

34 OT16-40F3 A

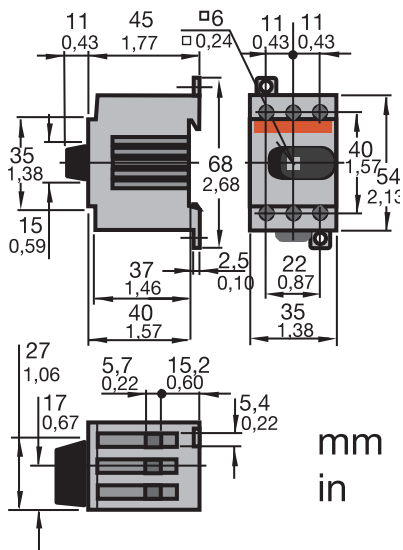
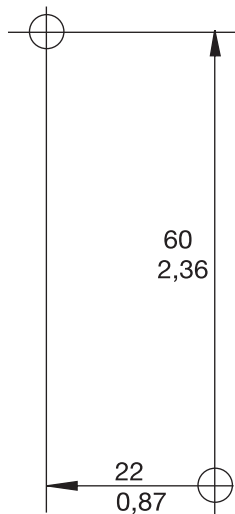


0,75...10 mm²
18...8 AWG

0,8 Nm
7 lb.-in.



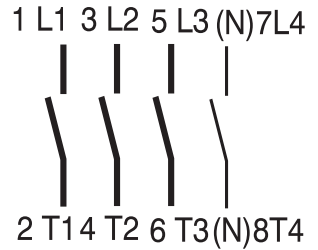
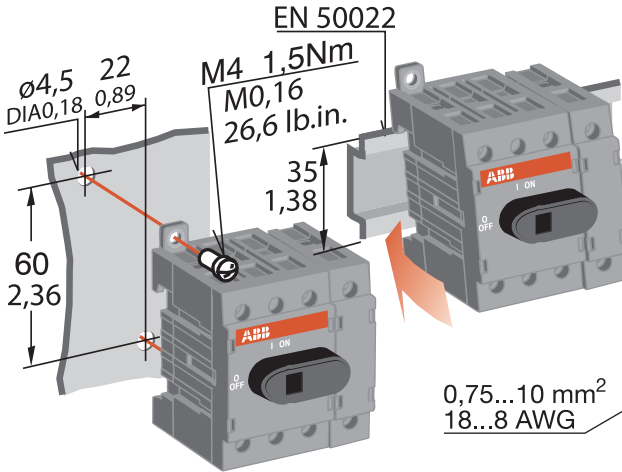
POZIDRIVE
M3,5 Form 2



OT16-40F4

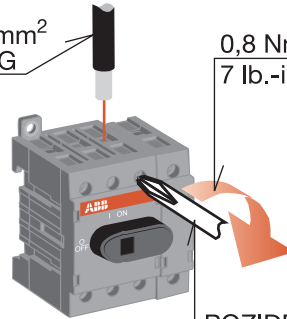
1SCC301052M0001

34 OT16-40F3 A



0,75... 10 mm²
18...8 AWG

0,8 Nm
7 lb.-in.



POZIDRIVE
M3,5 Form 2

