

E 210 product range  
E 219 multiple indicator lights  
System pro *M* compact<sup>®</sup>

# Half-size Strong effect



The new 9mm wide ABB narrow multiple indicator lights for DIN 35 mm mounting rail attachment in the system pro M compact® design.

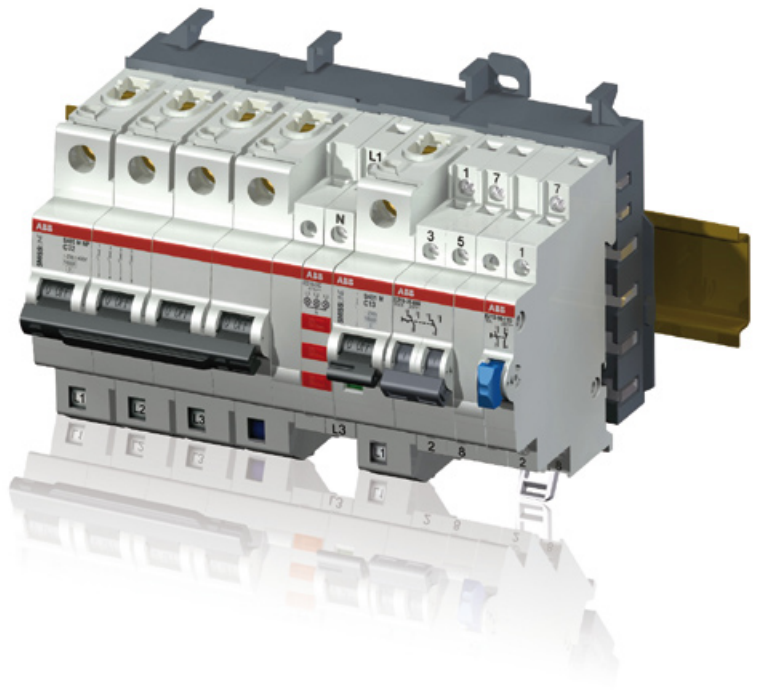


ABB multiple indicator lights can be used in the SMISLINE socket system (without contact to the bus bar).

# Contents

Applications	Page 0/4
Characteristics / Overview E219 indicator lights with 3 LEDs	Page 1/1
Characteristics / Overview E219 indicator lights with 2 LEDs	Page 1/3
Ordering data	Page 2/1
Technical data	Page 3/1
Dimension drawing	Page 4/1

# Applications

## LED multiple indicator lights

### General information

Indicator lights are used in electrical equipment and for signalling switching states or indicating faults. The ABB range consists of single, double and triple indicator lights. The triple indicator lights are usually used as a display device to monitor phase availability. They offer a status display that is clearly visible in the smallest of spaces (9 mm width).

The traffic light solution (red/amber/green) with the triple indicator light means that it is possible to signal different equipment states. This version is also available in super-narrow width, 1/2 modular width (MW) = 9 mm, in the ABB built-in range.

Valuable installation space is saved in electrical distributors with these narrow reporting and monitoring devices. An optimal overview of the current network and equipment states is guaranteed at all times.

### Why is an LED light source used?

Light-emitting diodes only use a fraction of the electrical power that bulbs do. LEDs thus produce considerably less heat (dissipated power) compared to conventional incandescent or neon lights.

With LED technology, there is no spiral wound filament that can burn out after a period of time or can be broken after repeated vibration.

LEDs are fully resistant to vibration and have a life expectancy of approximately 100,000 hours. Sudden LED failures are unlikely. The status of the monitoring of equipment and/or machines is therefore always clearly shown. An optimum overview of the current equipment or consuming device status is fully guaranteed at all times. The efficiency of LED technology is undisputed worldwide.

### Impressive solutions at a glance

#### LED multiple indicator lights

- Touch protection in accordance with DIN EN 50274 (DIN VDE0660 Section 514)
- Easy-to-use, safe connection
- LED voltage ranges:
  - E219-2CD48: 12-48 VAC/DC; E219-2CD: 115-250 VAC
  - 3 LED: 415/250 VAC
- Colour-fast and maintenance-free LED light source (100,000 hours)
- Consistent innovative design
- Optimised dissipated power
- Compliance with international standards

The new 9 mm wide ABB E219-2...  
and E219-3... multiple indicator lights



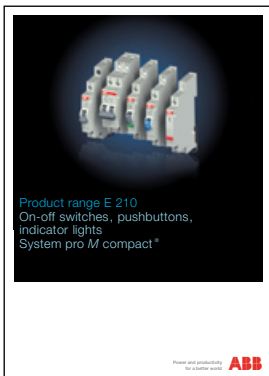
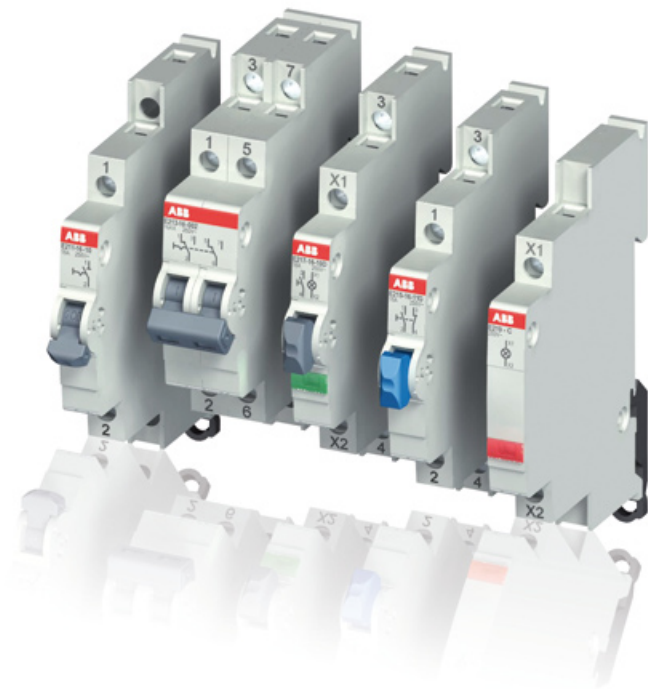
# Applications

## LED multiple indicator lights

Colour signalling of the different equipment states in accordance with the IEC 60073 standard can be fully implemented.

### Meaning of the colours in accordance with IEC 60073

Meaning	Safety of people and the environment	Process state	State of equipment
Red	Danger	Emergency	Defective
Amber	Warning / Caution	Abnormal	
Green	Safety	Normal	



To gain an overview of the ABB E210 narrow width range, request the current MDRC catalogue list (order no. 2CCC441001C0202) from your ABB representative. This brochure describes the proven and tested products from the E210 narrow width range, which have already been established in the market.

### This includes:

- 16, 25 and 32 A on-off switches; 1- to 4-pole
- 16 and 25 A two-way, group and control switches
- Normal 16 A pushbuttons; five different colours
- Pushbutton with integrated LED in five different colours
- Indicator light with integrated LED in five different colours

# Characteristics

## E219 indicator lights with 3 LEDs

### E219 indicator lights with 3 LEDs

With ABB indicator lights, it is possible to visually monitor the availability of the three-phase current in the electrical distribution board in a simple way, with little effort and in the smallest of spaces (9 mm). The E219-3C and E219-3D models, with the same colour lights, are available in red or green.

With the E219-CDE version in traffic light colours (red/amber/green), the respective current operating or equipment state can be displayed and visualised via a control wiring system which has been designed accordingly. The indicator lights with 3 LEDs are available for a voltage of 415/230 VAC.

## Overview

### E219 indicator lights with 3 LEDs



E219-3C



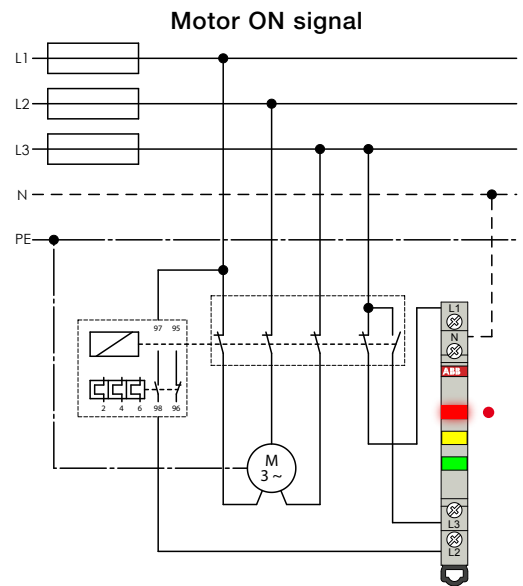
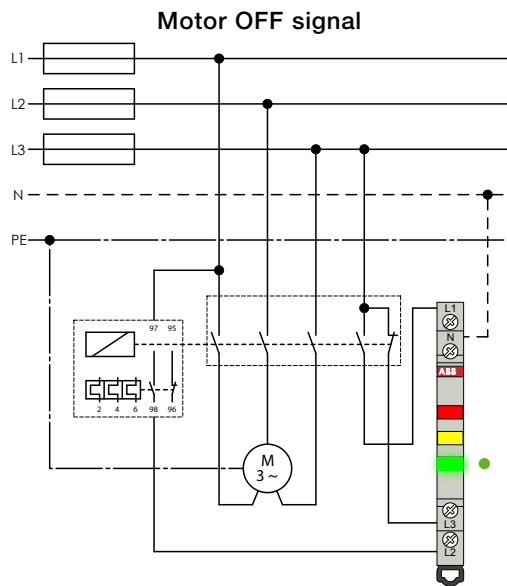
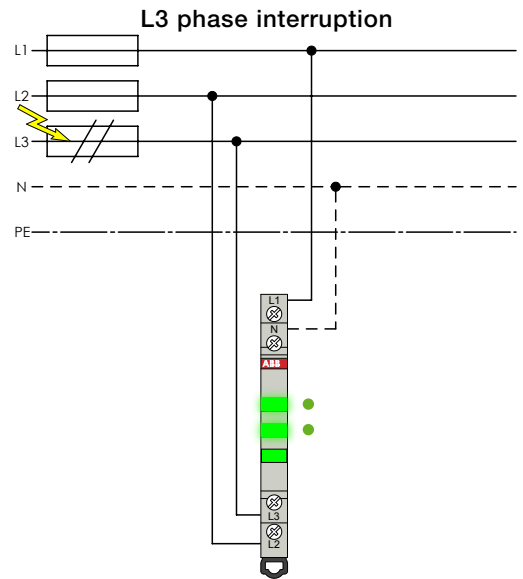
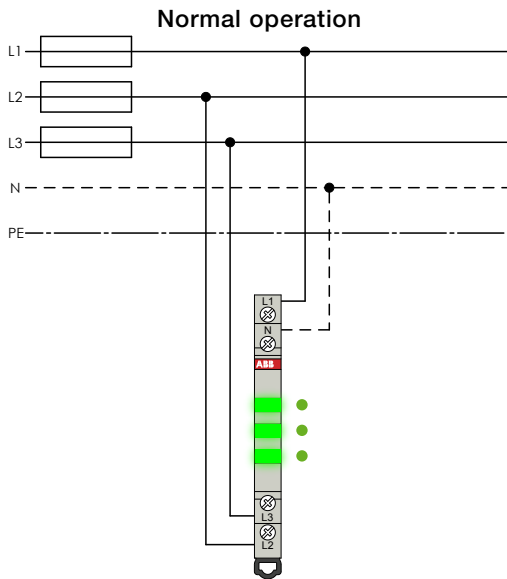
E219-3D



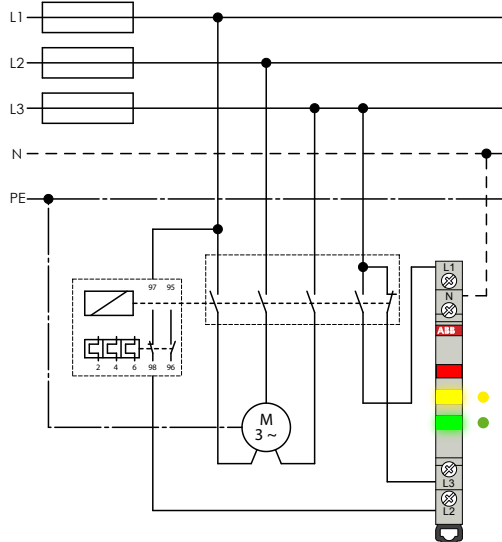
E219-3CDE

# Examples

## E219 indicator lights with 3 LEDs



### Motor defect signal → Thermal overload



# Characteristics

## E219 indicator lights with 2 LEDs

### E219 indicator lights with 2 LEDs

These indicator lights are perfectly suited to the visualisation of on and off states (such as in private electrical equipment, commercial buildings or industrial switchgears). The indicator light version with two integrated LEDs (model: E219-2...) is available with the green or red LEDs.

Controlled by an auxiliary contact (such as ABB switch protection), the corresponding LED can display a visual ON/OFF display of the current status of the consuming device.

This can be implemented in the smallest space in the apartment or control distributor (9 mm installation width). The E219-2... indicator lights are available in two different voltage ranges – 115-250 VAC or 12-48 VAC.

## Overview

### E219 indicator lights with 2 LEDs



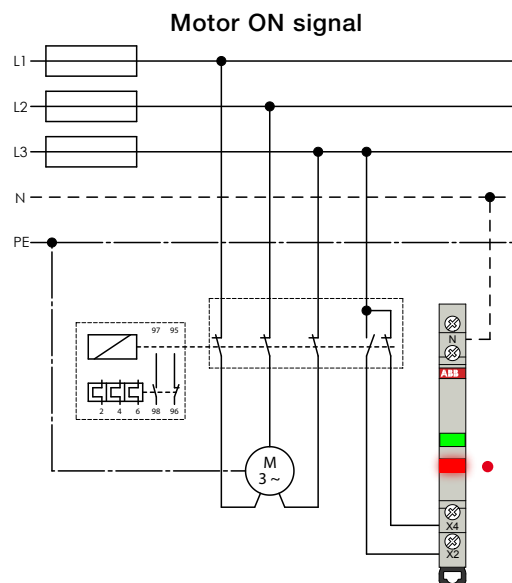
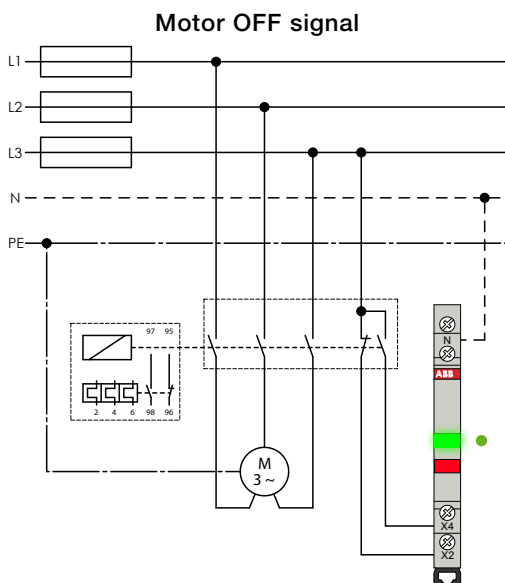
E219-2CD  
(115-250 VAC)



E219-2CD48  
(12-48 VAC)

## Examples

### E219 indicator lights with 2 LEDs



# Ordering data

## Indicator light with 2 and 3 LEDs

### Indicator light with 2 and 3 LEDs



	Pow- er loss W	LED Colour	Width mm	Ordering data Model	Product No.	Bbn 7612271 EAN	Weight per item kg	Packing unit unit
--	-------------------------	---------------	-------------	---------------------------	-------------	-----------------------	--------------------------	-------------------------

#### Triple indicator light

Rated LED voltage: 415/230 VAC

-	-	1.2	■ ■ ■	9	E219-3C	2CCA703900R0001	413309	0.044	10
-	-	1.2	■ ■ ■	9	E219-3D	2CCA703901R0001	413316	0.044	10
-	-	1.2	■ ■ ■	9	E219-3CDE	2CCA703902R0001	413323	0.044	10



#### Double indicator light

Rated LED voltage: 115-230 VAC

-	-	0.8	■ ■	9	E219-2CD	2CCA703910R0001	413330	0.042	10
---	---	-----	-----	---	----------	-----------------	--------	-------	----

#### Double indicator light

Rated LED voltage: 12-48 VAC

-	-	0.8	■ ■	9	E219-2CD48	2CCA703911R0001	413347	0.042	10
---	---	-----	-----	---	------------	-----------------	--------	-------	----



### Accessories for the E210 series

	Width mm	Ordering data Model	Product No.	Bbn 7612271 EAN	Weight per item kg	Packing unit unit
--	-------------	---------------------------	-------------	-----------------------	--------------------------	-------------------------

#### Dummy housings

-	9	E210-DH	2CCA703480R0001	404208	0.18	10
---	---	---------	-----------------	--------	------	----

To use the equipment in the SMISLINE socket system, the modular width of 18 mm must be maintained. The dummy housing is ready-made with two expanding connectors. Always install dummy housings on the left.

# Technical data

## Indicator light with 2 and 3 LEDs

### General information

Overall depth	68 mm
Width	0.5 (9 mm)
Colour	grey, RAL 7035
Climatic resistance to	IEC 60068-2-2 (dry heat) IEC 60068-2-30 (humid heat) IEC 60068-2-1 (low temperatures)
Ambient temperature	- 25°C to + 55°C
Storage temperature	- 40°C to + 70°C
Connection cross-section (Cu)	from 1 x 1 mm <sup>2</sup> to 1 x 6 mm <sup>2</sup> or 2 x 2.5 mm <sup>2</sup> solid; from 1 x 0.75 mm <sup>2</sup> to 2 x 1.5 mm <sup>2</sup> flexible with wire end sleeve or pin-type cable socket
Tightening torque	1.2 - 1.5 Nm

### Triple indicator light

Operating voltage	415/250 VAC (tolerance +/- 10%)
Frequency	50/60 Hz
Insulation voltage	250 V
Surge capacity $U_{imp}$	4 kV
Dissipated power	1.2 W
Standards	DIN EN 62094-1
Approvals	VDE

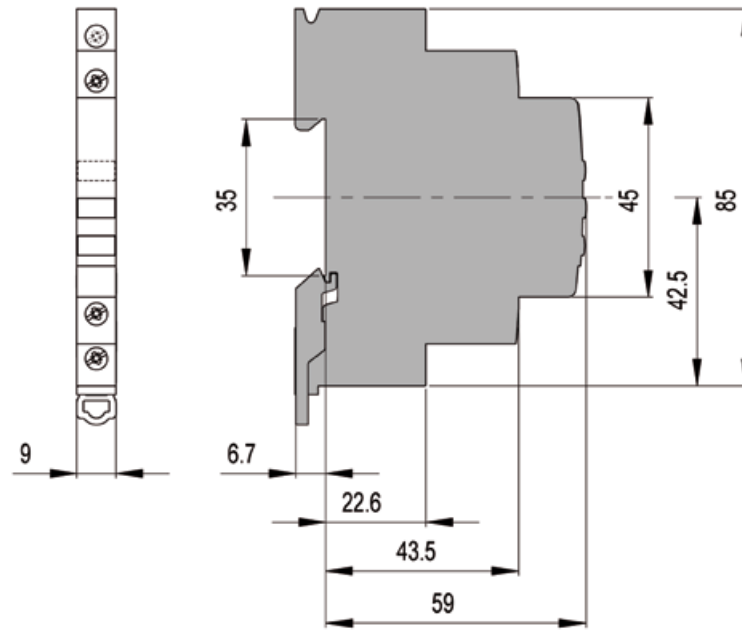
### Double indicator light

Operating voltage	115-250 VAC; 12-48 VAC (tolerance +/- 10%)
Frequency	50/60 Hz
Insulation voltage	250 V
Surge capacity $U_{imp}$	4 kV
Dissipated power	0.8 W
Standards	DIN EN 62094-1
Approvals	VDE

# Dimension drawing

## Indicator light with 2 and 3 LEDs

### Indicator lights



# Contact

## Belgium

ABB ELECTRO n.v.  
Hoge Wei, 27  
1930 Zaventem  
Belgium  
Telephone +32 (0) 27 18 63 11  
Telefax +32 (0) 27 18 66 66

[www.abb.be](http://www.abb.be)

## Brasil

ABB Ltda  
Av. dos Autonomistas, 1496  
06020-902-Osasco-SP  
Brasil  
Telephone +55 (0) 80 00 14 91 11  
Telefax +55 (11) 36 88 99 77

[www.abb.com.br](http://www.abb.com.br)

## Czech Republic

ABB s.r.o.  
Herspická 13  
61900 Brno  
Czech Republic  
Telephone +420 54 31 45 50 3  
Telefax +420 54 32 43 48 9

[www.abb.cz/elsynn](http://www.abb.cz/elsynn)

## Denmark

ABB AS  
Meterbuen 33  
2740 Skovlunde  
Denmark  
Telephone +45 44 50 44 50  
Telefax +45 44 50 44 60

[www.abb.dk](http://www.abb.dk)

## Finland

ABB OY  
Domestic Sales  
Hiomotie 13  
P.O. Box 182  
00381 Helsinki  
Finland  
Telephone +358 10 22 20 00  
Telefax +358 10 22 22 91 3

[www.abb.fi](http://www.abb.fi)

## France

ABB France  
Division Produits Basse Tension  
465 Avenue des prés Seigneurs  
La Boisse  
01124 Montluel Cedex  
FR France  
Telephone +33 (0) 825 38 63 55  
Telefax +33 (0) 825 97 09 26

[www.abb.fr](http://www.abb.fr)

## Great Britain

ABB Limited  
Tower Court, Foleshill Enterprise Park  
Courtaulds Way  
CV6 5NX Coventry  
GB-United Kingdom  
Telephone +44 (0) 24 76 36 85 00  
Telefax +44 (0) 24 76 36 44 99

[www.abb.co.uk](http://www.abb.co.uk)

## Ireland

Asea Brown Boveri Ltd.  
Belgrad Road, Tallaght  
Dublin 24  
Ireland  
Telephone +35 31 40 57 30 0  
Telefax +35 31 40 57 33 2

[www.abb.com/lowvoltage](http://www.abb.com/lowvoltage)

## Italy

ABB SACE S.p.A.  
Line Protection Devices  
Viale dell'Industria, 18  
20010 Vittuone (MI)  
Italy  
Telephone +39 02 90 34 1  
Telefax +39 02 90 34 76 09

[www.abb.it](http://www.abb.it)

## Netherland

ABB b.v.  
Automation Products  
George Hintzenweg 81  
3068 AV Rotterdam  
Postbus 301  
3000 AH Rotterdam  
Netherland  
Telephone +31 (0) 10 40 78 91 1  
Telefax +31 (0) 10 40 78 09 0

[www.abb.nl](http://www.abb.nl)

## Norway

ABB AS  
Jacob Borchsgt. 6  
P.O. Box 797 Brakeroya  
3002 Drammen  
Norway  
Telephone +47 32 24 80 00  
Telefax +47 32 24 79 34

[www.abb.no](http://www.abb.no)

## Poland

ABB Sp. z o.o.  
Automation Products  
ul. Zeganska 1  
04-713 Warszawa  
Poland  
Telephone +48 22 51 64 441  
Telefax +48 22 51 64 444

[www.abb.pl](http://www.abb.pl)

## P.R. China

ABB (China) Ltd  
Universal Plaza, 10 Jiuxianqiao Lu  
Chaoyang District  
100016 Beijing  
P.R. China  
Telephone +86 10 8456 6688  
Telefax +86 10 8456 9907

[www.abb.com.cn](http://www.abb.com.cn)

## Russian Federation

ABB Ltd.  
30/1, build. 2 Obrucheva Str.  
117861 Moscow, Russia  
Telephone +7 495 960 2200  
Telefax +7 495 960 2220

[www.abb.ru](http://www.abb.ru)

## Singapur

ABB Industry Pte Ltd  
2 Ayer Rajah Crescent  
Singapore 139935  
Telephone +65 6776 5711  
Telefax +65 6778 0222

[www.abb.com.sg](http://www.abb.com.sg)

## Spain

ABB Automation Products, S.A.  
c/Torrent de l'Olla 220  
08012 Barcelona  
Spain  
Telephone +34 93 48 42 10 4  
Telefax +34 93 48 42 20 1

[www.abb.es](http://www.abb.es)

## Sweden

ABB Automation  
Technologies Cewe Control  
Motorgård 20  
72161 Västerås  
Sweden  
Telephone +46 (0) 21 32 07 00  
Telefax +46 (0) 21 12 60 01

[www.abb.se](http://www.abb.se)

## Thailand

ABB LIMITED  
161/1 SG Tower, 1st-4th Floor,  
Soi Mahadlekluang 3,  
Rajdamri Road, Lumpini, Pathumwan,  
Bangkok 10330  
Thailand  
Telephone +66 (0) 2665 1000  
Telefax +66 (0) 2665 1043

[www.abb.co.th](http://www.abb.co.th)

## Ukraine

ABB Ltd.  
2/1, Mykoly Grinchenka Str.  
4, Ivana Lepse Blvd.  
Kyiv, 03680, Ukraine  
Ukraine  
Telephone +380 44 495 22 11  
Telefax +380 44 495 22 10

[www.abb.ua](http://www.abb.ua)

## ABB Switzerland Ltd.

CMC Low Voltage Products  
Fulachstrasse 150  
CH-8201 Schaffhausen  
Tel. +41 (0)58 586 41 11  
Fax +41 (0)58 586 42 22  
E-mail: [cmc@ch.abb.com](mailto:cmc@ch.abb.com)

[www.abb.ch](http://www.abb.ch)

Due to possible changes in regulatory requirements and materials, the characteristics and dimensions stated in this catalogue are only to be considered as binding after confirmation from ABB.