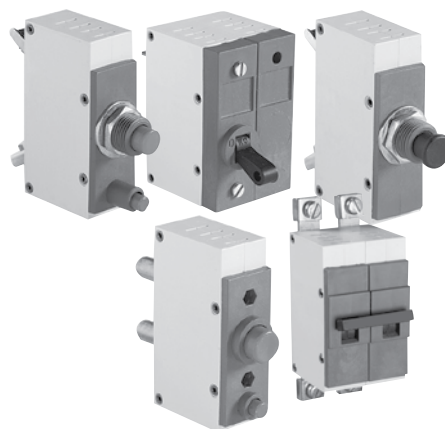


Series GD, GH, GN & GV Circuit breakers



Galaxie circuit breakers GD, GH, GN & GV



Description

Galaxie circuit breakers are door mounted for AC and DC applications. The breakers offer thermal-magnetic and magnetic-only trip protection.

For the worldwide market, the Galaxie breakers carry UL, CSA, IEC, CE and many other agency approvals and certifications.

Features

- Convenient actuators: Switch type, rocker switch & pushbutton
- Various termination mountings
- Tropicalization protection
- 480Y/277 VAC
- UL 1077 Recognized – supplemental protective device. UL File # E75741.

Catalog number explanation

GD, GH, GN & GV Series circuit breakers

Fitted, unpluggable or projecting type



Catalog number explanation

Circuit Breakers

SERIES

- GD** Standard Galaxie AC 240/415 V 50/60 Hz can be used at 48 V DC max.
- GH** High rupturing capacity Galaxie AC 240/415 V 50/60 Hz
- GN** Special Galaxie 100 V DC max.
- GV** Special Galaxie 150 V DC max.
- GA** Severe environment Galaxie (i.e. military use) consult us

VERSIONS

- U** One-pole (1 protected pole)
- B** Two-pole (2 protected poles)
- T** Three-pole (3 protected poles)
- Q** Four-pole (4 protected poles)
- 1+N** Two-pole (1 protected pole + neutral)
- 3+N** Four-pole (3 protected poles + neutral)

RATING (In : Amps)

- 0.1 - 0.2 - 0.3 - 0.5 - 1 - 1.5 - 2 - 2.5 - 3 - 4 - 5
6 - 8 - 10 - 12 - 13 - 16 - 20 - 25 - 30 - 32
 Heavy duty types : ratings according to NF EN60 898 Other ratings, consult us.

MODELS

- L** Thermal-magnetic - Curve B according to NF EN60 898
- U** Thermal-magnetic - Curve C according to NF EN60 898
- D** Thermal-magnetic - Curve D according to NF EN60 898 Ratings 6 to 32 A
- S** Thermal-magnetic (series GN and GV only) according to NF F 62001
- T** Thermal (except series GH)

FASTENINGS AND OPERATIONS ①

- 00 - 01 - 02 - 03 - 04 - 05 - 06 - 07 - 08 - 09

TERMINATIONS ①

- 00 - 01 - 02 - 03 - 07 - 08 - 09 - 33 - 43

OPTIONS

RATING ENGRAVED

- J** On resetting button

METAL THREADED BUSHING

- W** For fastening and operations 6-7-8. Tightening torque : 3 Nm max. (compulsory with option K)

CIRCUIT BREAKER SERIES GD MODEL D ②

- R** With adjustable thermal protection (Not possible with option K)

MECHANICAL IMPACT

- V** 50 g
- E** 100 G

TROPICALIZATION

- T** (Compulsory with option E 100)

THERMAL PROTECTION

- C** Temperature compensated from + 20°C to + 60°C
- K** Temperature compensated from - 40°C to + 85°C series GD, GH and GA (Compulsory with Option W)

AUXILIARY CONTACT FOR POSITION SIGNALLING O/F

- P1** on 1 pole
- P2** on 2 poles
- P3** on 3 poles
- P4** on 4 poles

① See next page

② Series GD, Model D only

EXAMPLE :

1 Circuit breaker Series : Galaxie standard AC - Version : 2 protected poles - Rating : 10 A - Model : magnetic-thermal, curve C - Fastenings and operations : Threaded bushing flush type 2 buttons - Terminations : Screws and back connectors - With Options Auxiliary for position signalling O/F : on 2 poles - Tropicalization has reference **GDB10U0703 P2T**

GD B 10 U 07 03 P2 - T - - - -

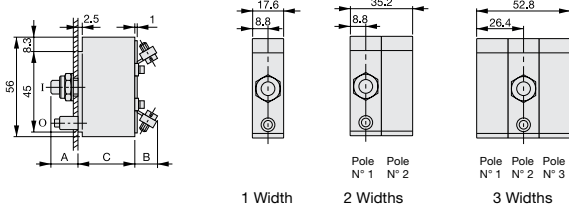
Technical data

Characteristics	CE	UL, CSA : For list of certified products : consult us		Circuit breakers NF F62 001 : consult us	
		Series GD	Series GH	Series GN	Series GV
Rated voltage					
1 + neutral version		240 V AC (50/60 Hz)			
One pole version		240/415 V AC (50/60 Hz)	240/415 V AC (50/60 Hz)		
Multipole version		415 V AC (50/60 Hz)	415 V AC (50/60 Hz)		
One pole and two pole version		48 V DC max.		100 V DC max.	150 V DC max.
Interrupting capacity					
According to standard IEC 898		3 000 A	4 500 A (models U and D: rating \geq 5 A) 4 500 A (model L: rating \geq 10 A)		
According to standard NF F62 001		1 000 A (48 V DC max.) 10 In cal. < 5 A ; 20 In cal > 5 A		500 A 10 In cal. < 5 A ; 20 In cal > 5 A	1 000 A (48 V DC max.) 10 In cal. < 5 A ; 20 In cal > 5 A
Other characteristics					
Life, number of cycles (On+Off)		4 000	4 000	4 000	4 000
Dielectric withstanding voltage		2 000 V rms	2 000 V rms	2 000 V rms	2 000 V rms
Tripping curves (1) (2)	S	Curve B : 3 In < S < 5 In - Curve C : 5 In < S < 10 In - Curve D : 10 In < S < 20 In < 14 In		Nominal current 0.1 to 2 A : 5 In < S < 10 In - 3 to 32 A : 7 In < S	
Mechanical shock		30 g.	30 g.	30 g.	30 g.
Ambient temperature		-5° C to 40° C	-5° C to 40° C	-25° C to + 70° C	-25° C to + 70° C

Approximate dimensions

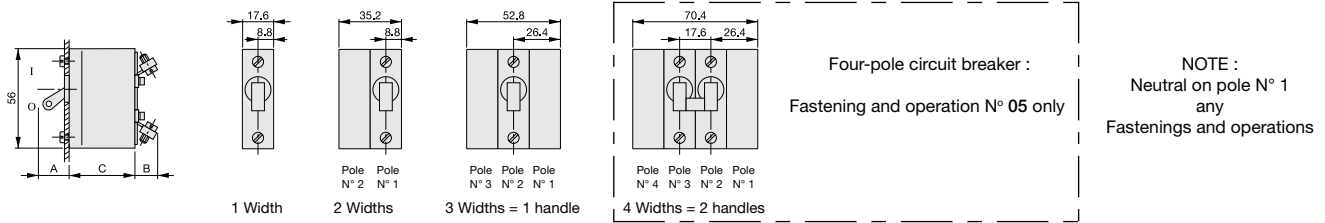
← 00.00 → Millimeters

Fastenings and operations N° 00 - 01 - 02 - 03 - 04 - 06 - 07 - 08

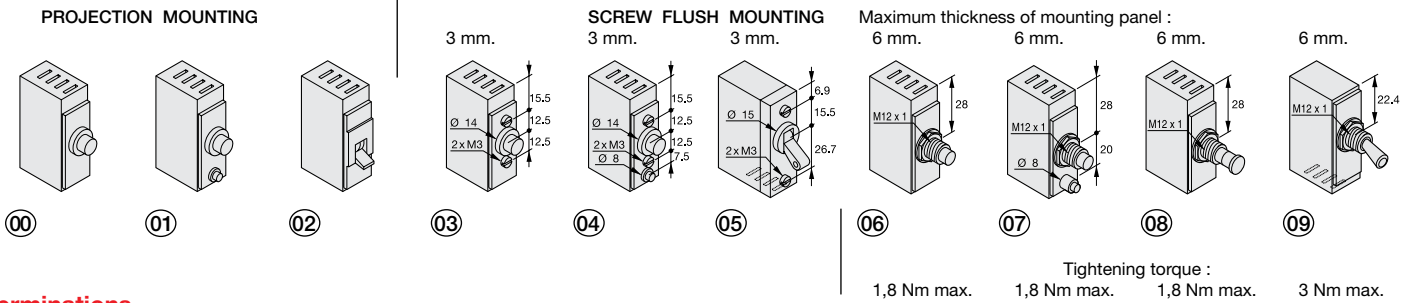


Fastenings / Operations	00	01	02	03	04	05	06	07	08	09
Size A	8	8	8	8	8	17,5	15	15	21	28
Size C	32	32	32	32	32	37	32	32	32	32
Terminations	00	01	02	03	33	43		07	08	09
Size B	15	4	4	12	4	4		4	4	11

Fastenings and operations N° 05 - 09



Fastenings and operations (3 poles max. except 02 : 2 poles and 05 : 4 poles)



Terminations

