

Accessories

New dual power source ODPSE230C for motorized change-over switches and Automatic Transfer Switches

The dual power source provides power supply to the motor operator.



The ODPSE230C dual power source provides power supply to the motor operator by using two lines. The device has two inputs, from line I (LN I) and line II (LN II), and one output for the motor operator. The motor operator is automatically energized whenever power is available in one of the lines.

The voltage level is indicated for both lines by a green LED light. These lights show whether the voltage is within the specified range. In case of anomaly, the LED lights switch off.

Status indication

Line I	Line II	Output	LEDs
OK	NOT OK	Line I	Line I
NOT OK	OK	Line II	Line II
NOT OK	NOT OK	None	None
OK	OK	Line I	Line I + II

Features:

- The device does not allow the motor operator to be fed with over or under voltage.
 - ▶ The motor is always fed with the correct voltage.
- The device is self supplied from the available lines.
 - ▶ There is no need for external power supply.
- Isolation provided between lines I and II.
 - ▶ Two asynchronous sources are always isolated from each other.

The ODPSE230C dual power source can be used with 230VAC motor operators: OTM motorized change-over switches from 160 to 2500 Amperes, OTM Automatic Transfer Switches from 160 to 1600 Amperes and motorized breakers.

The device can be DIN-rail or screw mounted.

Snap-on mounted PCB connectors are included in the delivery.

Ordering information

Dual power source ODPSE230C

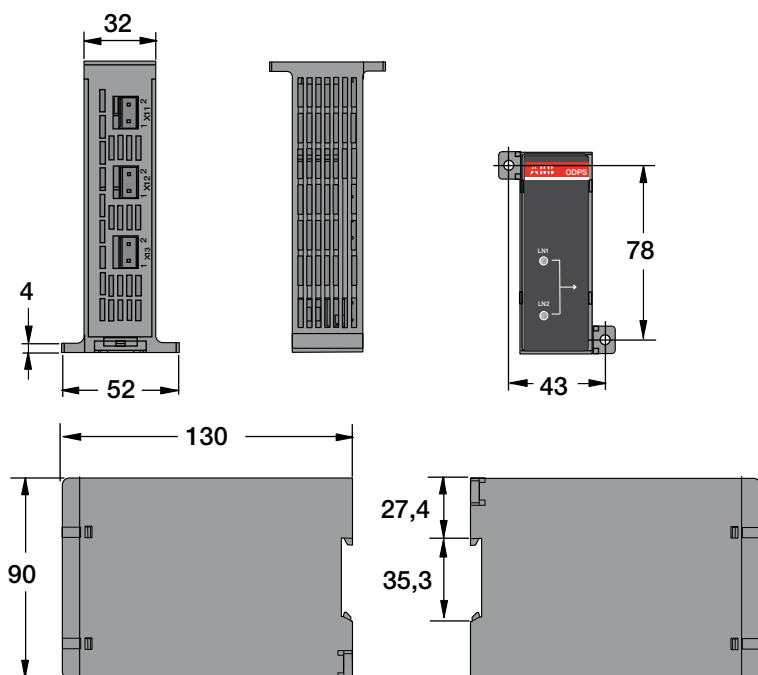
ODPSE230C



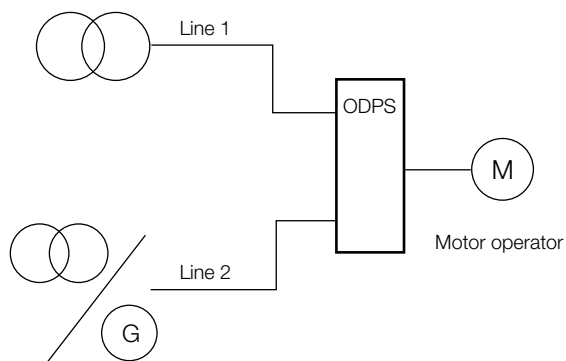
Type code	Order code	Delivery batch [pcs]	Weight/unit [kg]
ODPSE230C	1SCA116892R1001	1	0,3

ODPSGB 11-02, 1SC011008K0201

Dimension drawings



Connection diagram



For more information please contact:

ABB Oy

Low Voltage Switches

P.O. Box 622

FI-65101 Vaasa, Finland

Phone: +358 10 22 11

Fax: +358 10 22 45708

E-Mail: firstname.surname@fi.abb.com

www.abb.com

Power and productivity
for a better world™

