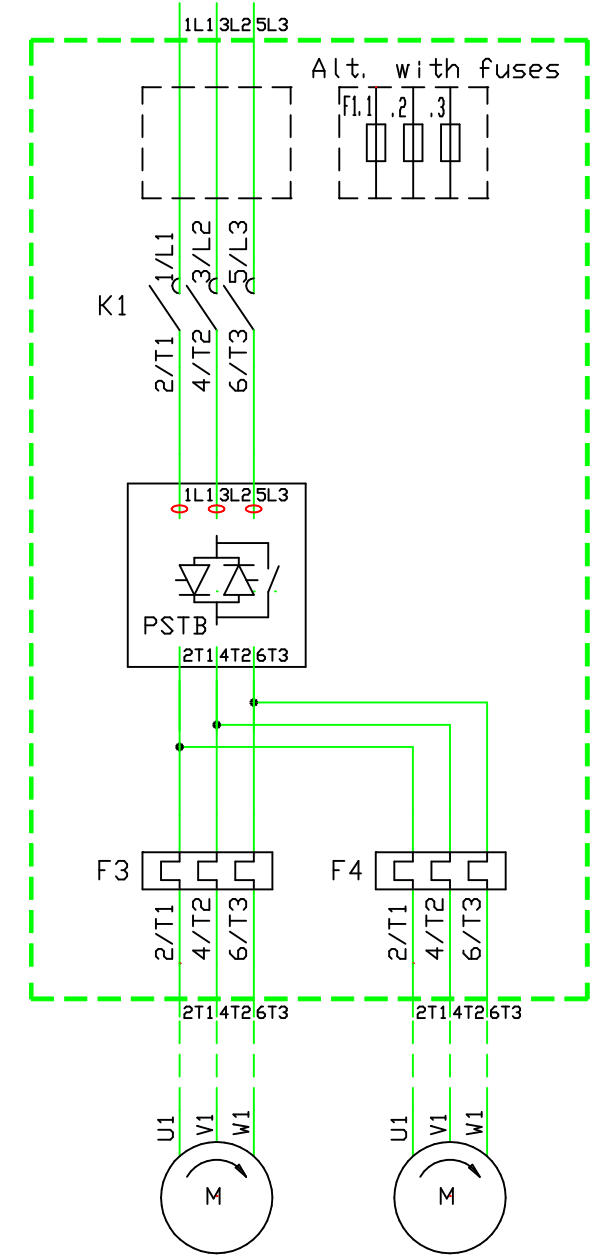
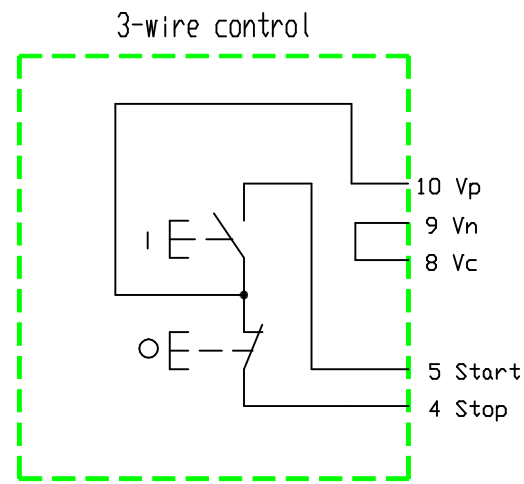
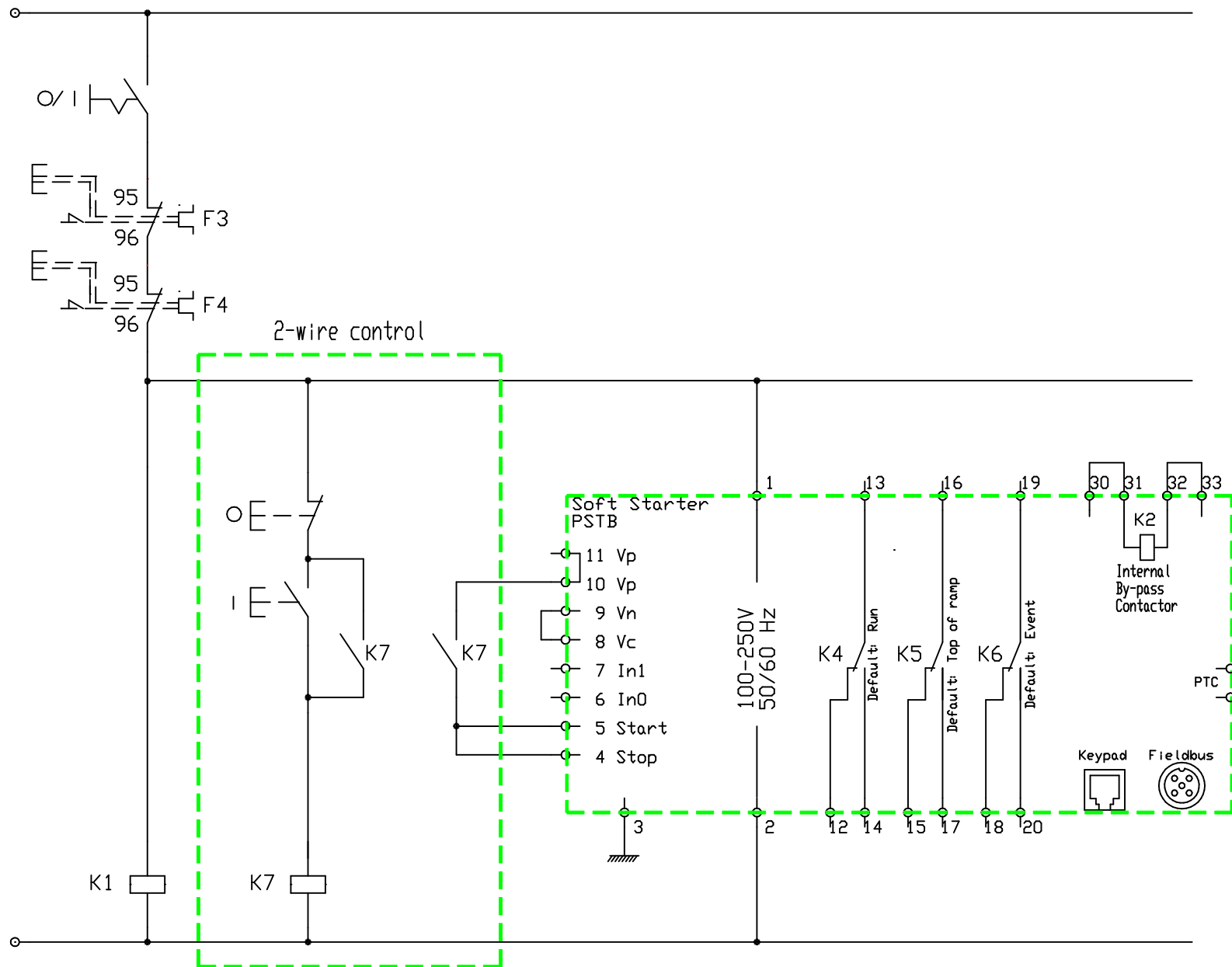


In Line with main contactor for start of 2 motors in parallel



We reserve all rights in this document and in the information contained therein. Reproduction, use or disclosure to third parties without express authority is strictly forbidden. © ABB Control

T Persson	Responsible department ATCL/ME	Title Application diagram	Lang. 82
Approved T Persson	Take over department	Document No. 1SFB536005G2005	
Revision	Scale	ISSUED 031008	Cont. -
ABB Control			Sheet 1

Rev ind	Revision	Appd	Year	Week
---------	----------	------	------	------