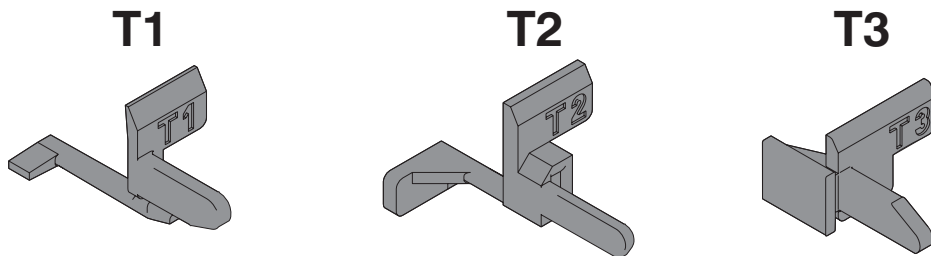
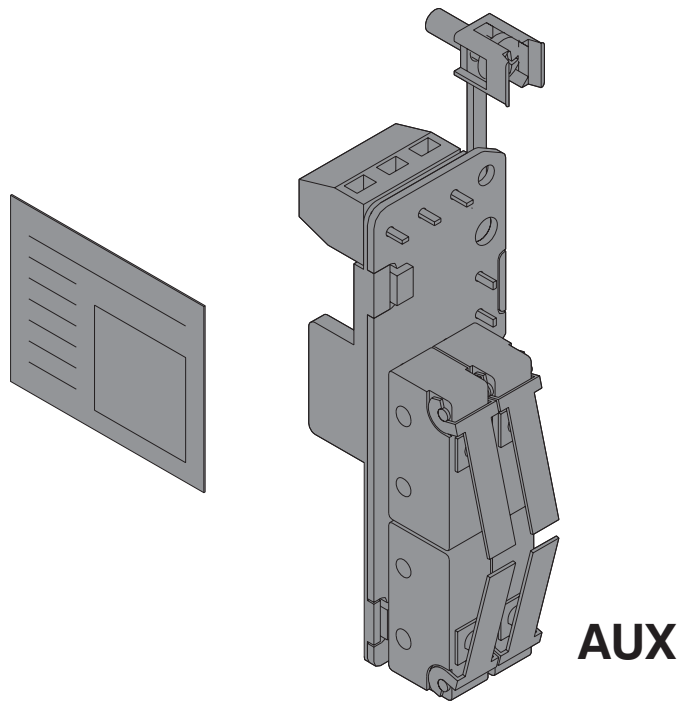


Tmax

DOC. N.° 1SDH000436R0609 - L3422

AUX - Contatti ausiliari 250 V AC/DC T1-T6 da cablare (3Q+1SY)
AUX - Auxiliary contacts 250 V AC/DC T1-T6 to wire (3Q+1SY)
AUX - Hilfskontakte 250 V AC/DC T1-T6, zu verdrahten (3Q+1SY)
AUX - Contacts auxiliaires 250 V CA/CC T1-T6 à câbler (3Q+1SY)
AUX - Contactos auxiliares 250 V CA/CC T1-T6 sin cablear (3Q+1SY)
AUX - T1-T6无电缆连线辅助触头250V-24VAC/DC (3合/分闸+1脱扣器脱扣)

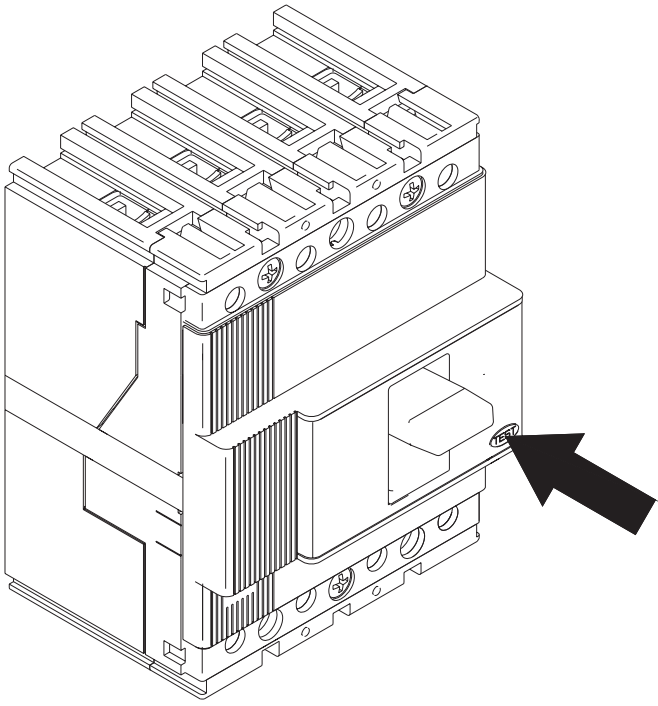


A

Se gli interruttori T3 sono interbloccati vedere 1SDH000552R0001 oppure 1SDH000553R0001
When T3 circuit breakers are interlocked, see 1SDH000552R0001 or 1SDH000553R0001
Wenn die Leistungsschalter T3 verriegelt sind, siehe 1SDH000552R0001 bzw. 1SDH000553R0001
Si les disjoncteurs T3 sont interverrouillés, voir 1SDH000552R0001 ou 1SDH000553R0001
Si los interruptores T3 están enclavados entre sí, véase 1SDH000552R0001 o 1SDH000553R0001
当T3断路器被联锁时, 请参看 1SDH000552R0001 或 1SDH000553R0001

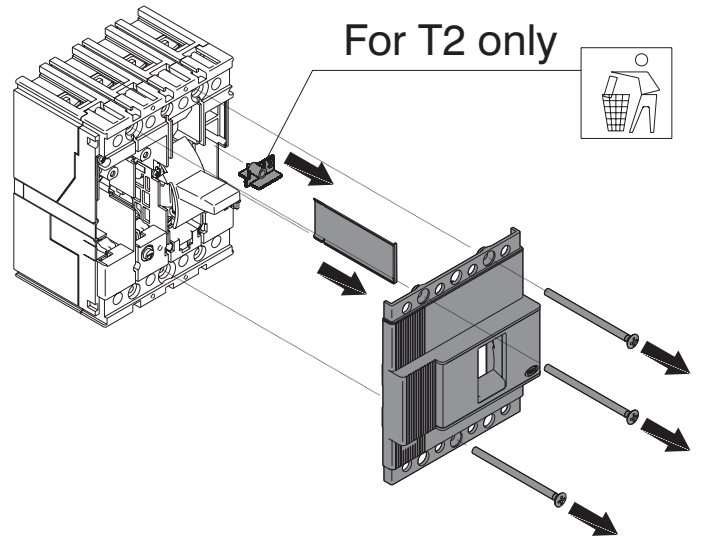
B

T1-T2-T3
T4-T5-T6



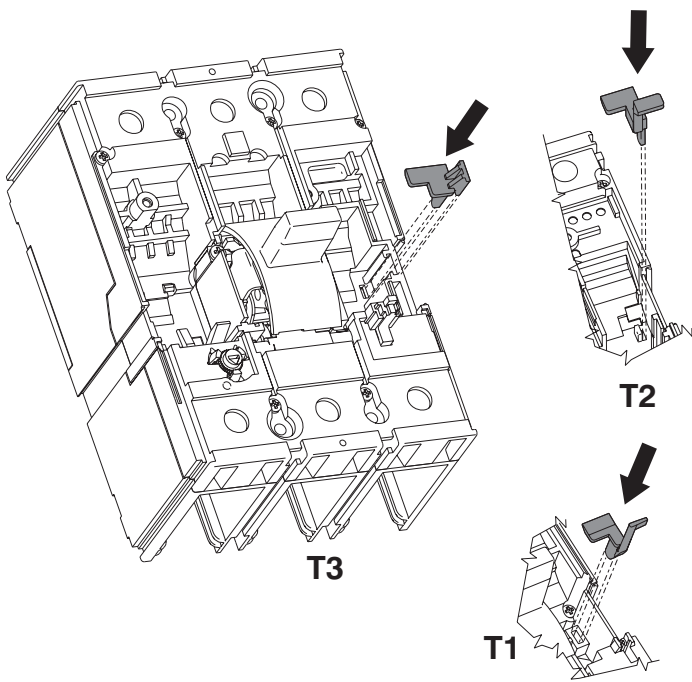
C

T1-T2-T3



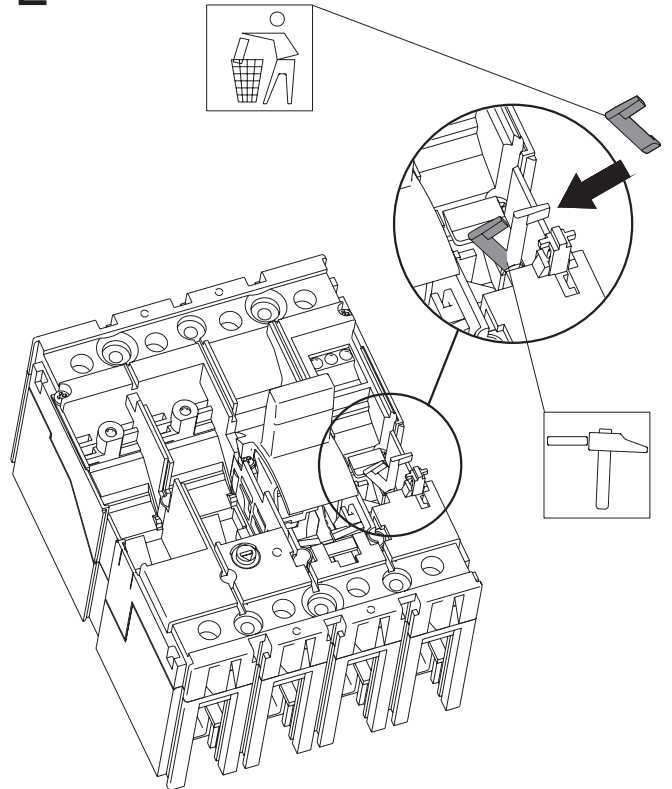
D

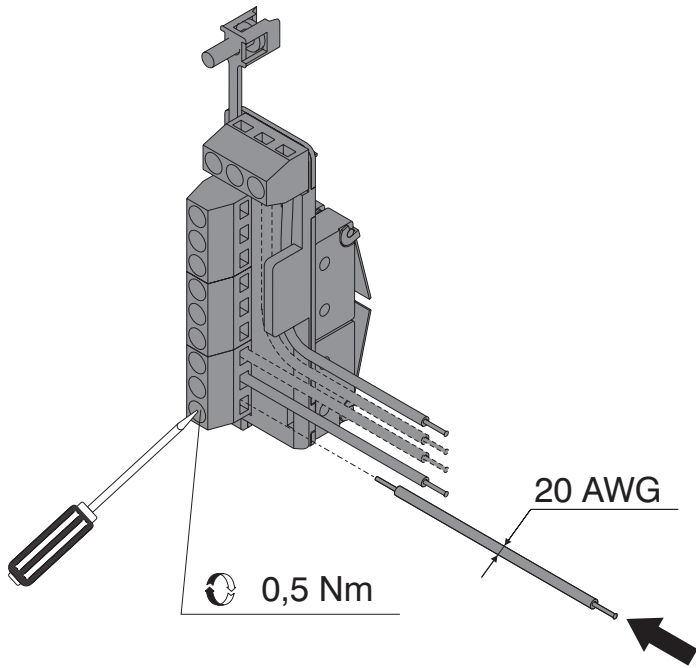
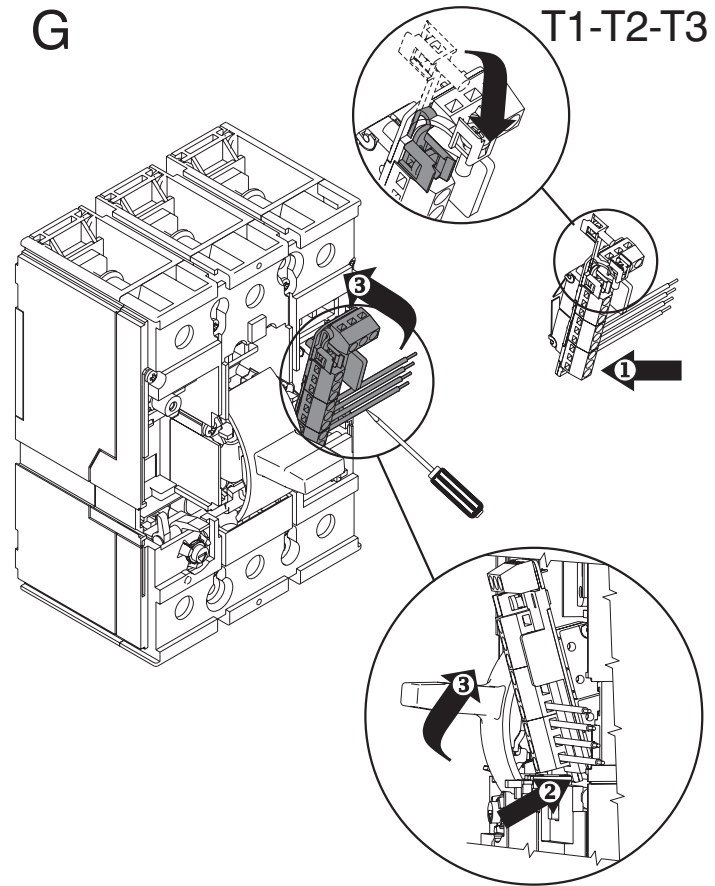
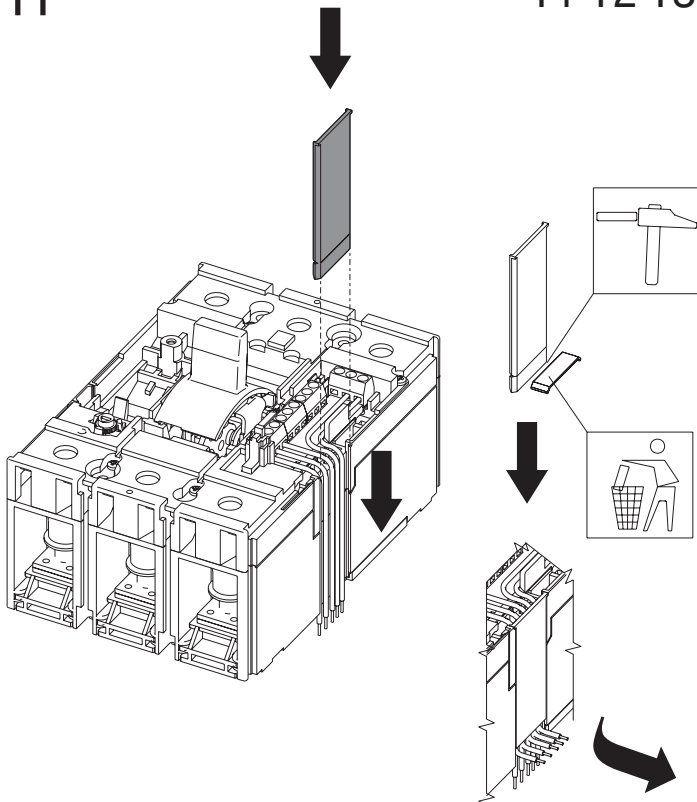
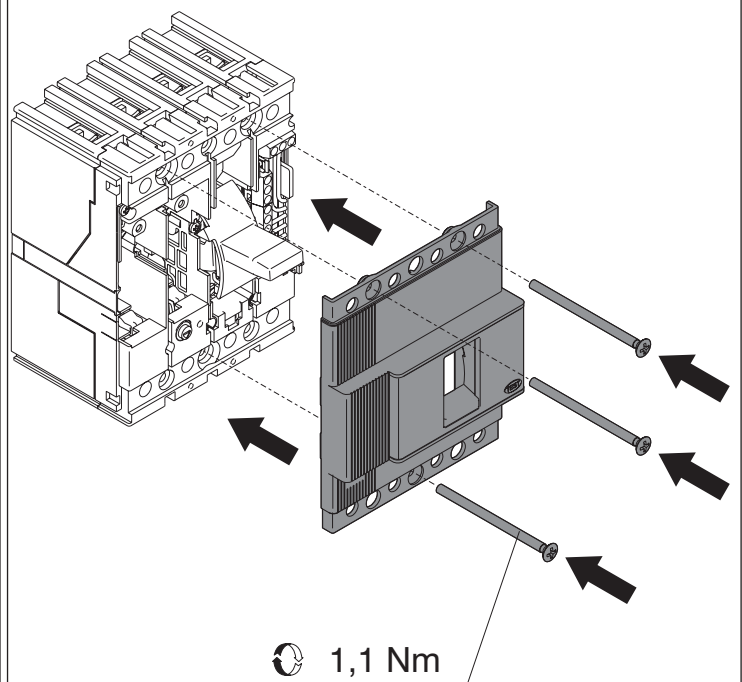
T1-T2-T3



E

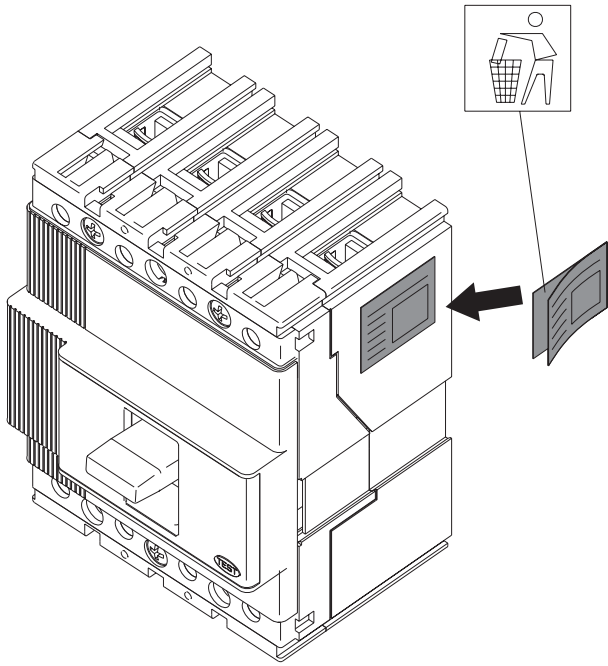
T1



F**AUX-T1-T2-T3****G****T1-T2-T3****H****T1-T2-T3****I****T1-T2-T3**

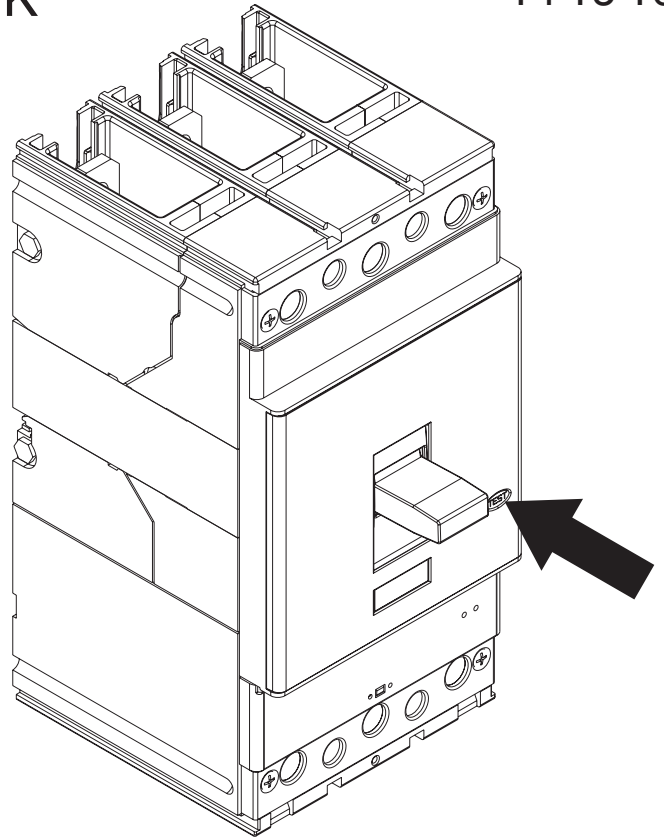
J

T1-T2-T3



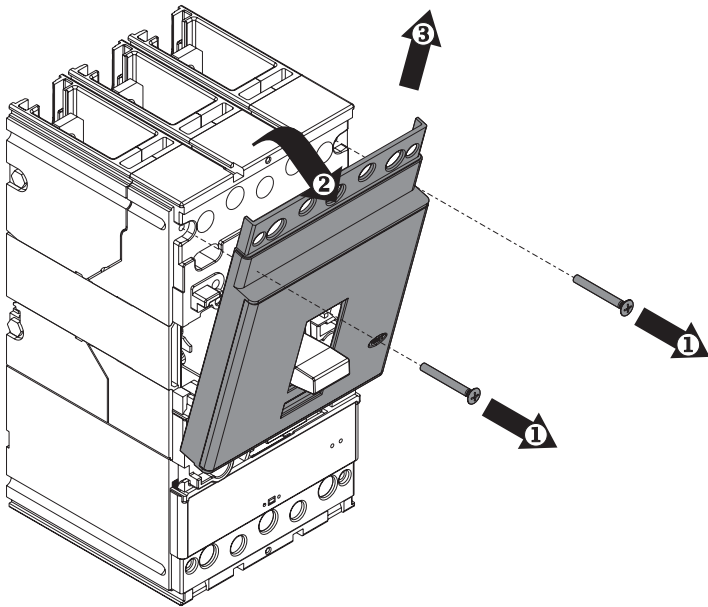
K

T4-T5-T6



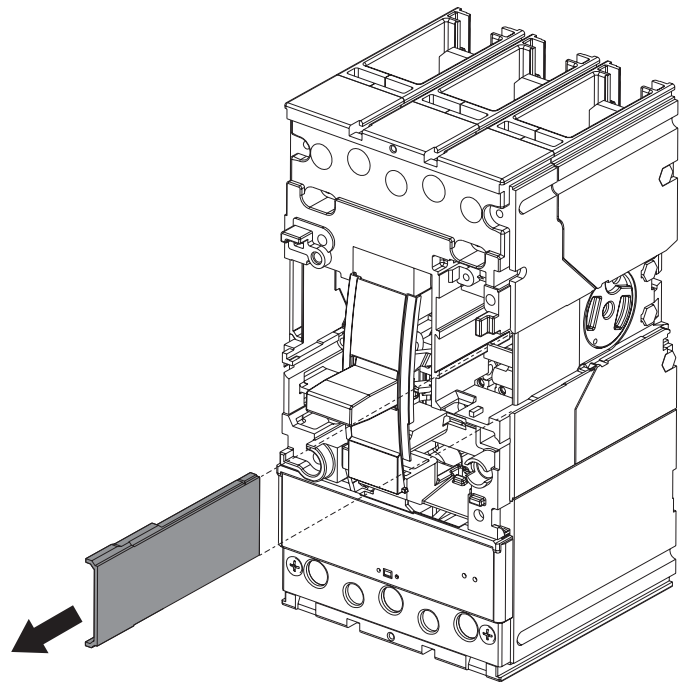
L

T4-T5



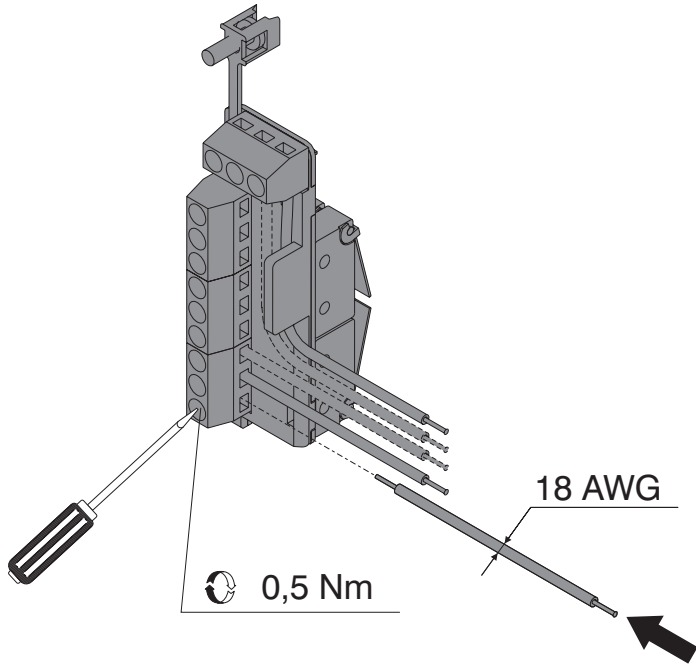
M

T4-T5



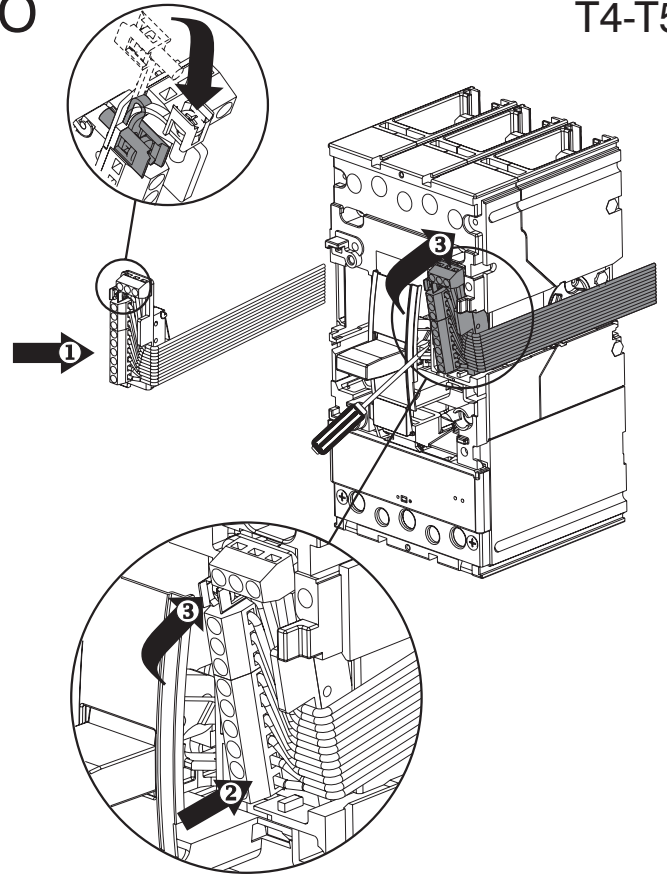
N

AUX-T4-T5



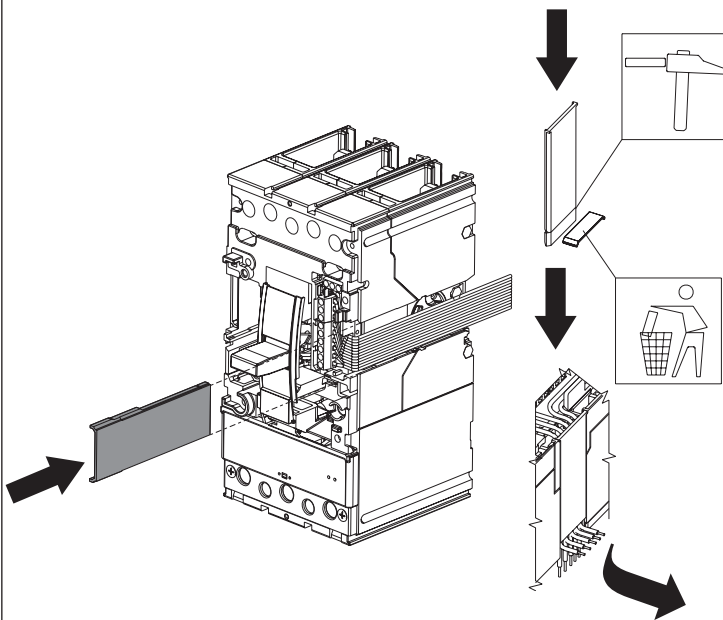
O

T4-T5



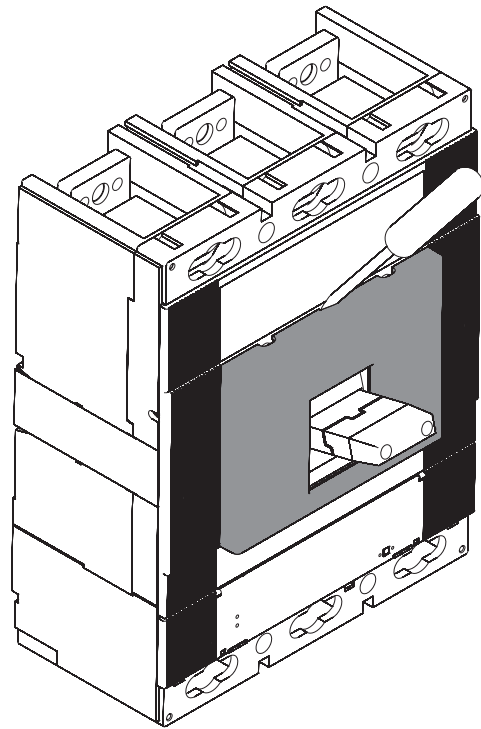
P

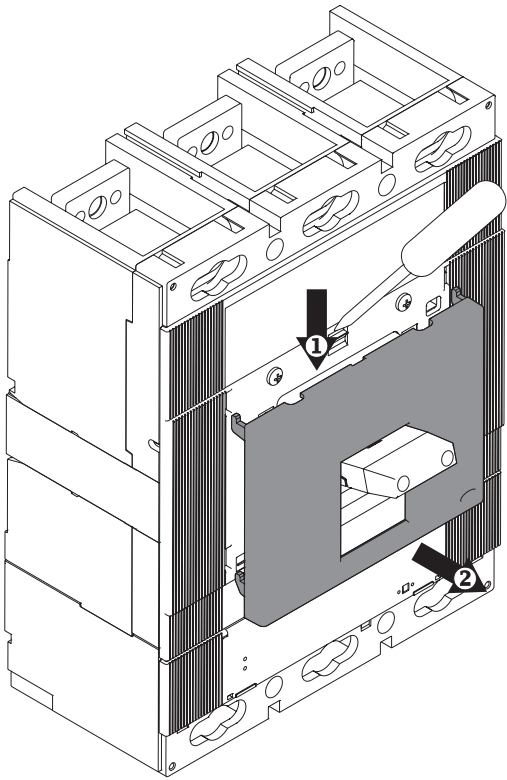
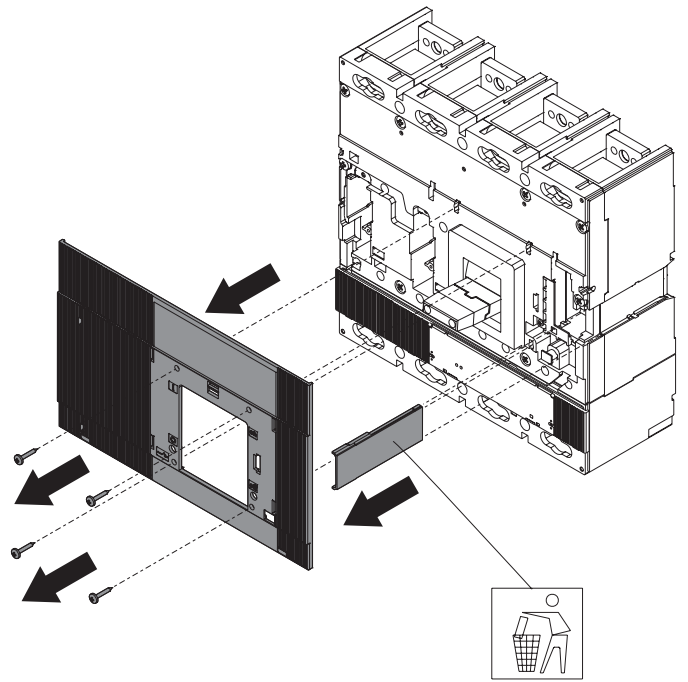
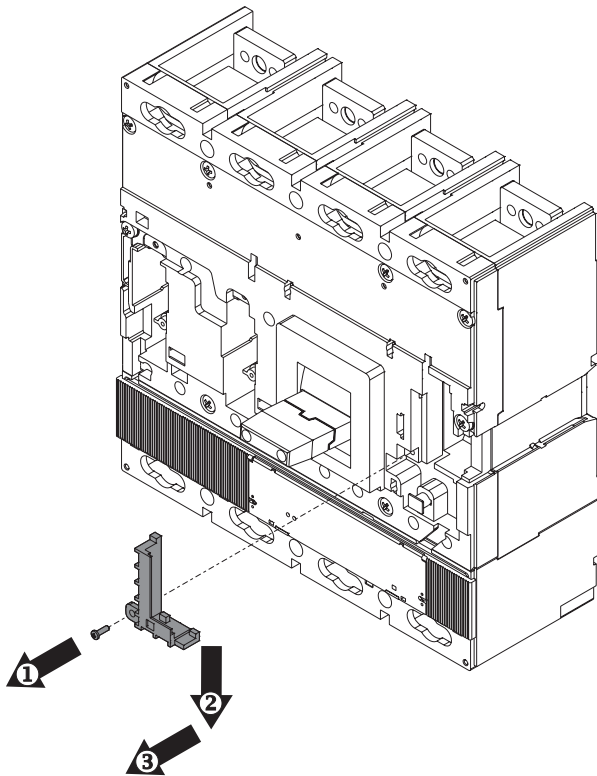
T4-T5



Q

T6



R**T6****S****T6****T****T6****U****AUX-T6**