

Emax - Tmax

DOC. N.° 1SDH000529R0510 - L3631

Sostituzione Rating Plug T7-T7M-T8-X1
Changing the rating plug T7-T7M-T8-X1
Austausch des Rating Plug T7-T7M-T8-X1
Replacement Rating Plug T7-T7M-T8-X1
Sustitución Rating Plug T7-T7M-T8-X1

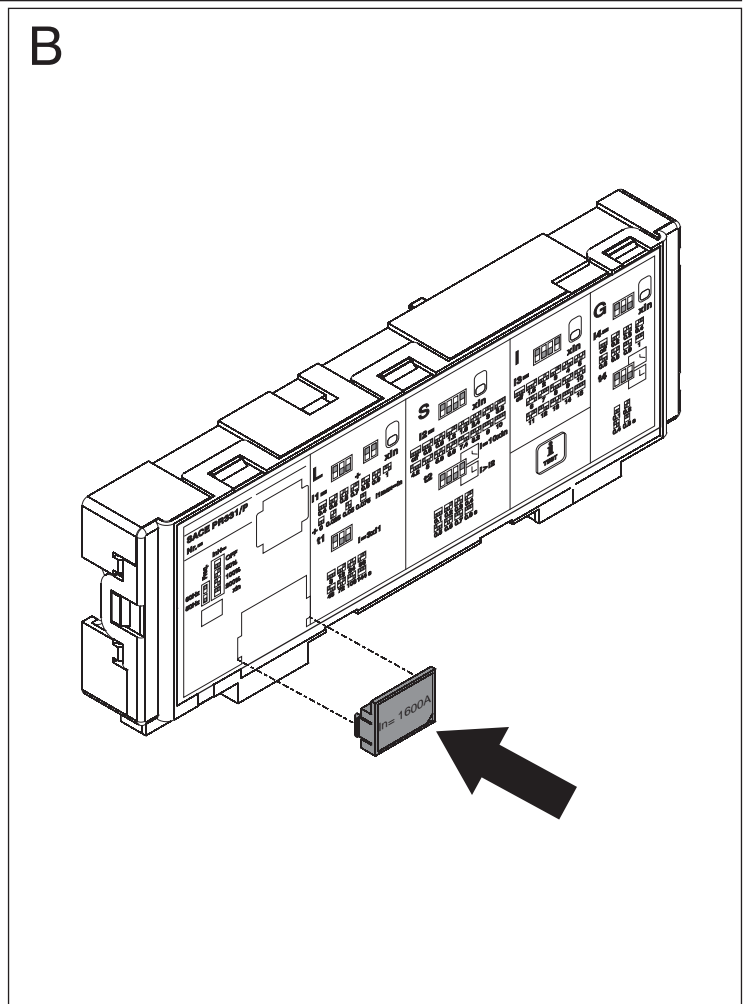
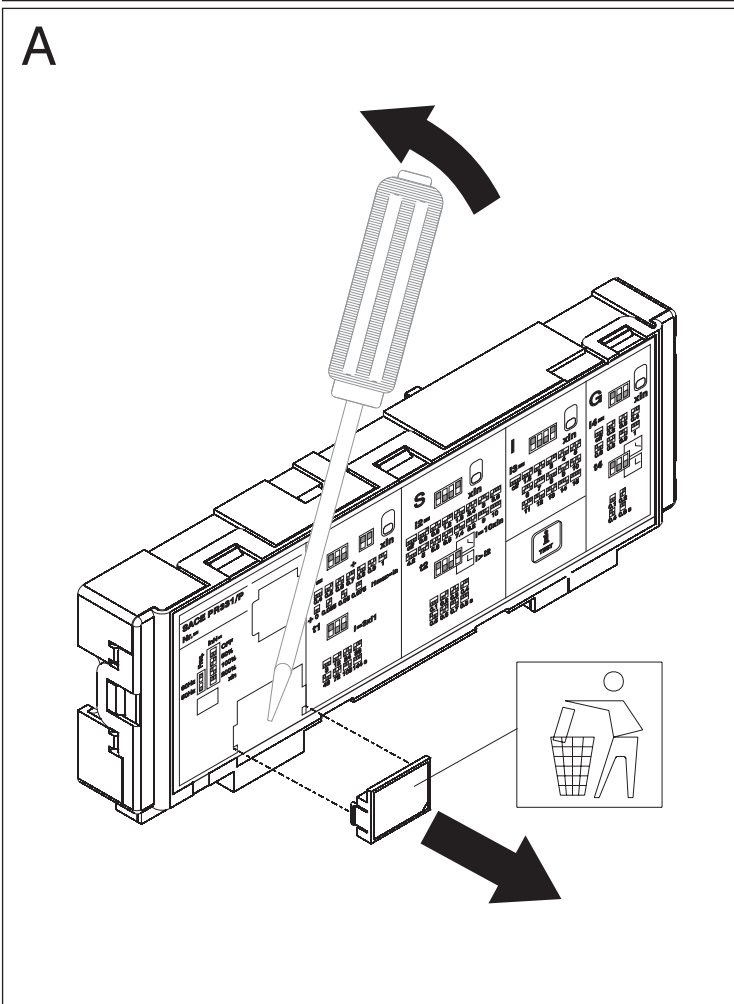
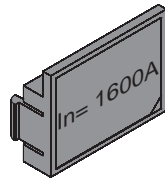
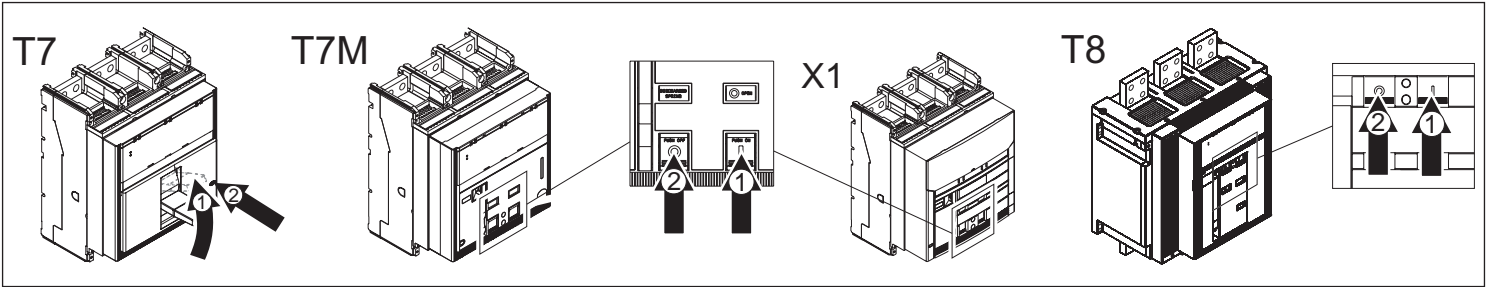


ABB S.p.A.
ABB SACE Division
Via Baioni, 35
24123 Bergamo Italy
Tel.: +39 035 395.111 - Telefax: +39 035 395.306-433

<http://www.abb.com>