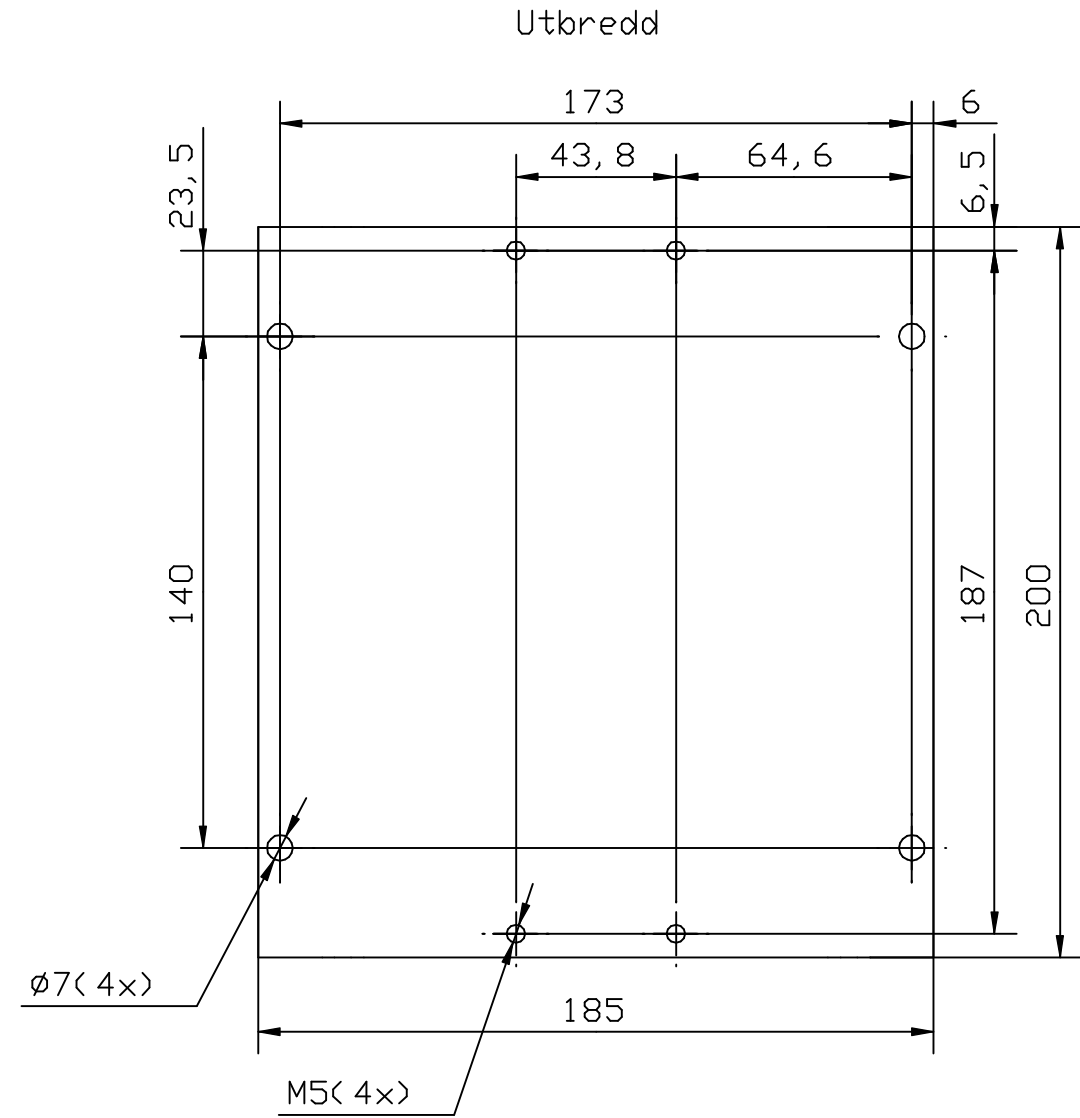
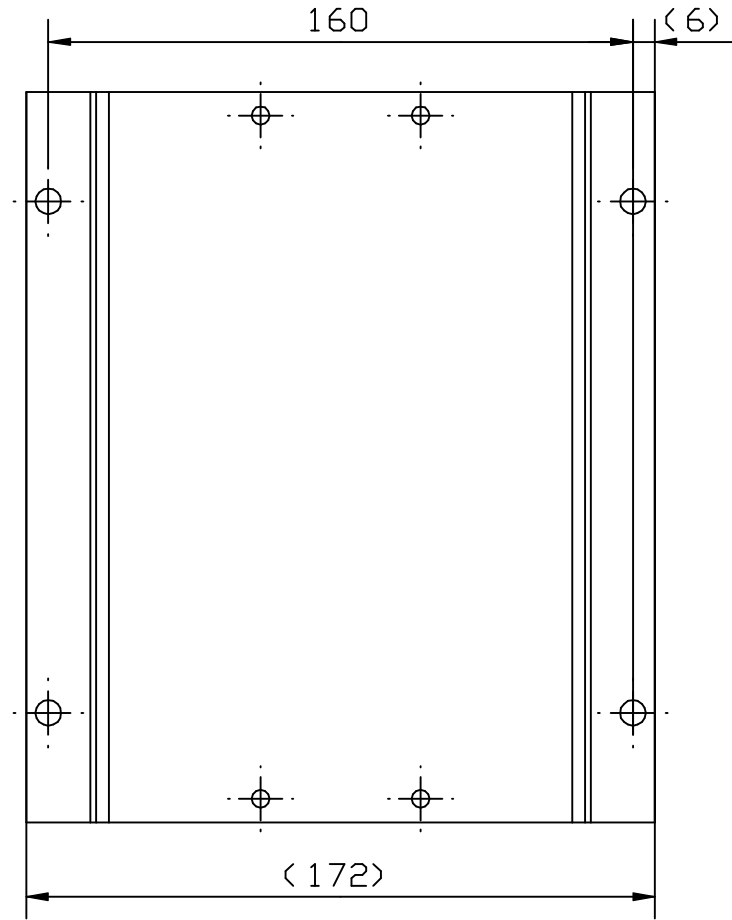
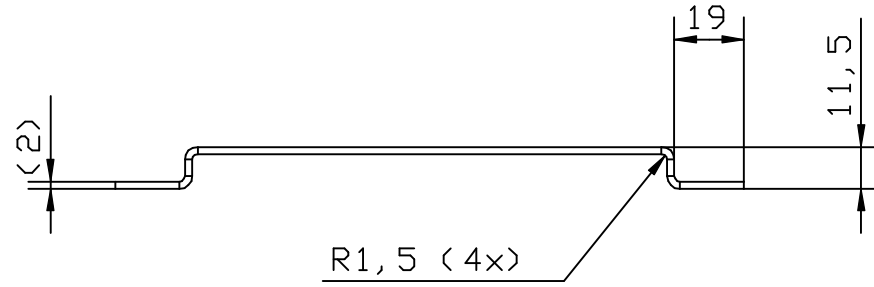
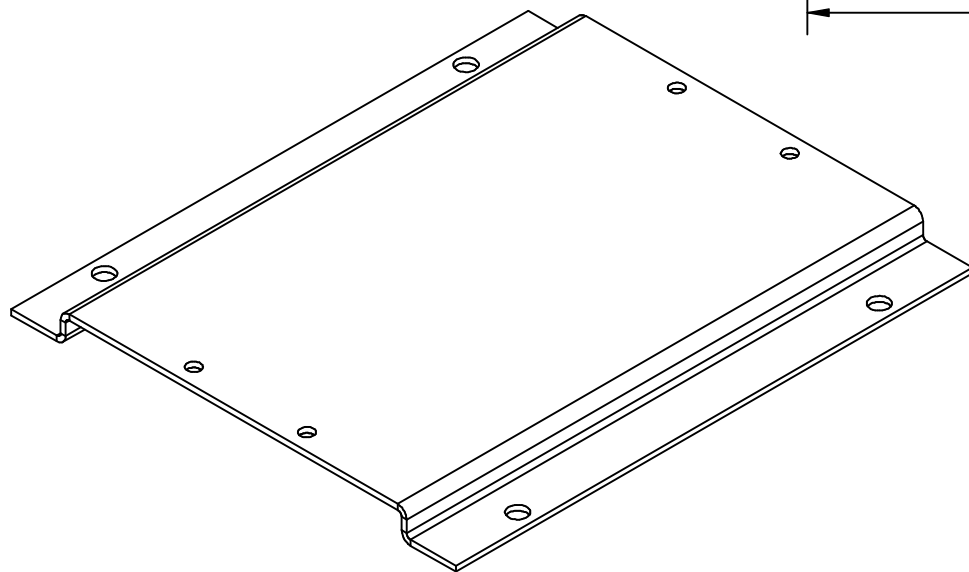


PR 300-1



General tolerances ISO 2768-m
Generella toleranser ISO 2768-m

185x200



Quantity	Item No.	Article No.	Material, type, etc	Dimensions	Name of item	Note
		1SFB 8-844	2 1151-90	T=2;	Sheet of steel Plåt av stål	
Prepared	H Widen	Responsible department	SECRL/K2000	Title	Adapter EH300 to A300	
Approved	Herold	Take over department		Title	Adapter plåt	
Revision	2	Scale	1:2	Document No.	2161 566-3	
ABB ABB Control				ISSUED	Sheet 1	

Rev ind	Revision	Appd	Year	Week

We reserve all rights in this document and in the information contained therein. Reproduction, use or disclosure to third parties without express authority is strictly forbidden. © ABB Control