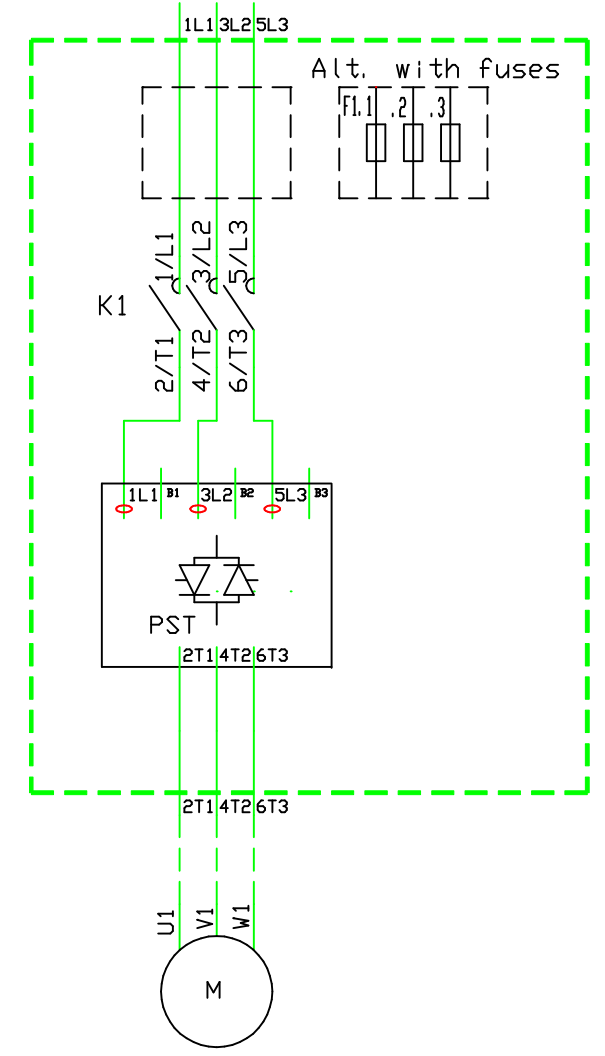
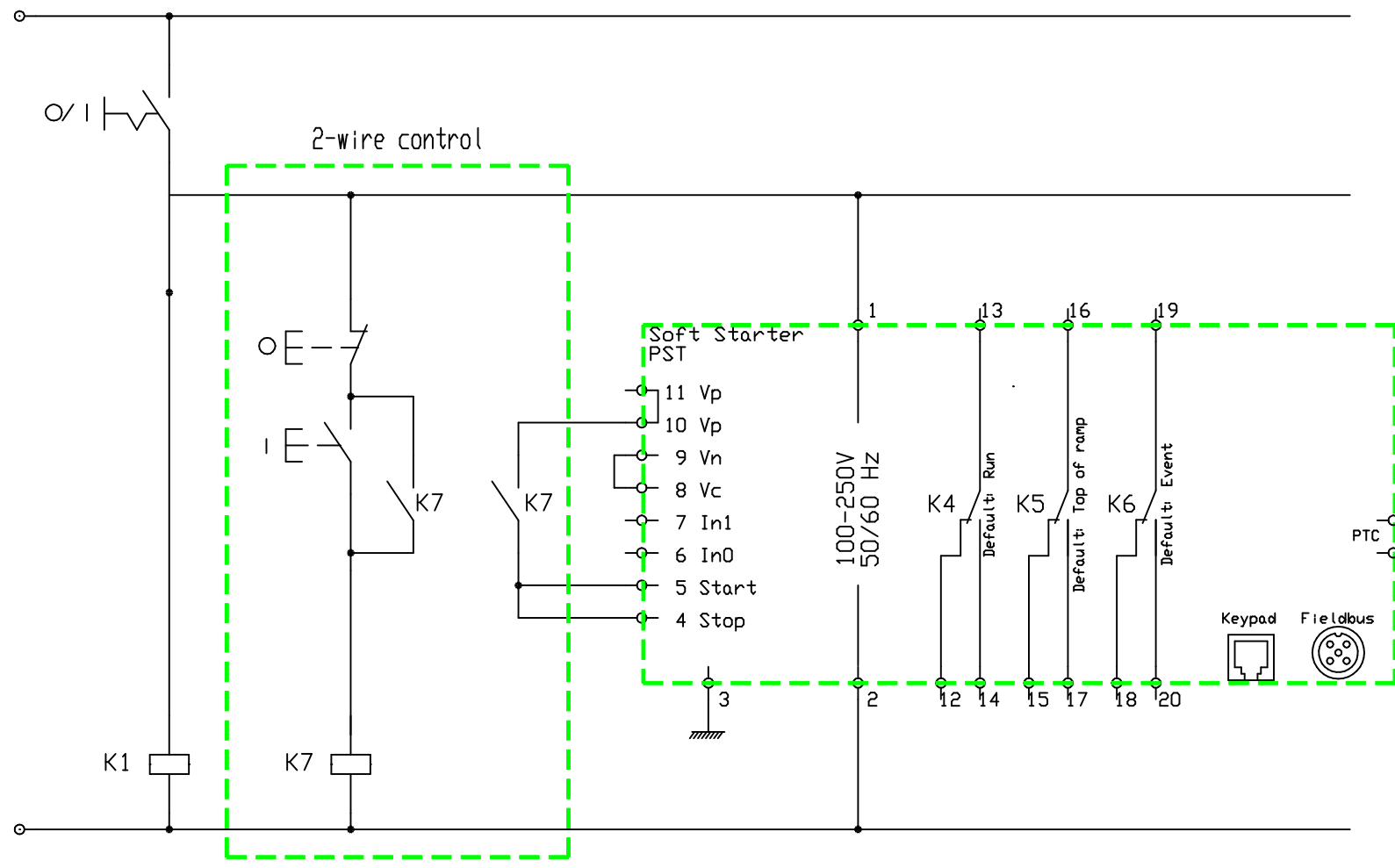
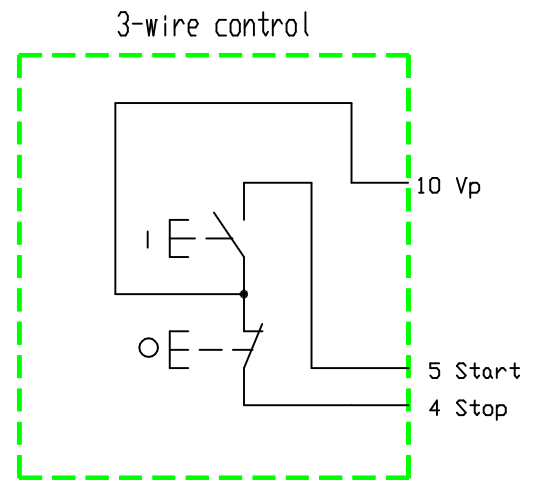


PST30...300

In Line with main contactor



We reserve all rights in this document and in the information contained therein. Reproduction, use or disclosure to third parties without express authority is strictly forbidden. © ABB Control



Prepared T Persson	Responsible department ATCL/ME	Title Application diagram	Lang. 82
Approved T Persson	Take over department	Document No. 1SFB536005G1001	
Revision	Scale	ISSUED 0309008	Cont. -
ABB Control			Sheet 1

Rev ind	Revision	Appd	Year	Week